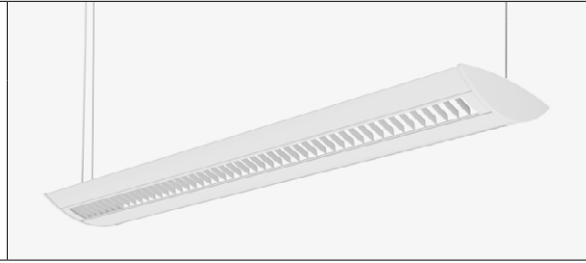
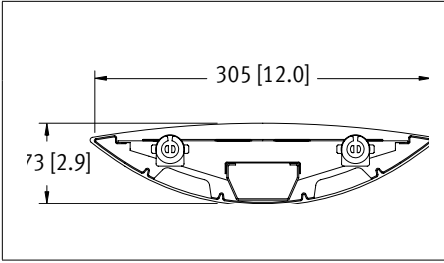


Horizon II O5B

Fluorescent . Pendant



CAT #:
PREP BY:
DATE:
PROJECT:
TYPE:
NOTES:

ORDERING LOGIC

Optics											
O5B	#	Source	Length	Up	Down	Finish	Ballast	Circuitry	Mounting	Voltage	IC
# of Lamps	Length	Optics Down			Ballast		Mounting		Integrated Control (IC)		
1 = 1 Lamp	4 = 4 ft	SB = Solid Cross Blade Baffle			E = Electronic Instant Start (T8)		PA = Pendant Aircraft Cable		_ = None (leave space empty)		
2 = 2 Lamps	8 = 8 ft	SBO = Solid Cross Blade Baffle w/ Opal Overlay			R = Programmed Rapid Start		PT = Pendant Aircraft Cable for T-Bar		D = Daylight Sensor		
3 = 3 Lamps	12 = 12 ft				D1 = 0-10V Dimming		SS = Solid Stem		O = Occupancy Sensor		
Source	R = Continuous Rows (Consult factory)				D2 = DALI		Select HANGER LENGTH and HANGER FINISH on p2		DO = Daylight/Occupancy Sensor		
T8	Optics Up	Finish			Circuitry		Voltage				
T5	_ = Open Top (leave space empty)	W = White			1 = 1 Circuit		1 = 120 V				
T5HO	C = Clear Dust Cover	C = Custom Finish Specify RAL#:			LR = Left/Right Switching (2 Lamps)		2 = 277 V				
					IO = In/Out Switching (3 Lamps)		3 = 347 V				
					EM = Emergency/Night Light		4 = UNV (120-277 V)				
					B = Battery						

SPECIFICATIONS

Due to the Continuous Improvement Policy at Metalumen, we reserve the right to change our specifications without notice.

Housing: Low profile, elliptically shaped indirect/direct luminaire measuring 73mm [2.9"] high by 304mm [12.0"] wide. The structural integrity of the luminaire is provided by a formed aluminum 18 gauge, one piece, perforated aluminum screen, 16 gauge steel internal support brackets and ballast cover and die cast end caps. The fixture's formed ballast channel, in conjunction with the die cast end caps, offers strength for sections as long as

a nominal 3660mm [12'-0"] with only two (2) hanger assemblies. As a result, straight alignment for continuous row installations can be maintained with a minimal amount of supports. Metalumen's integrated tongue and groove electrical/mechanical interlock ensure straight runs for continuous run applications providing for a cost-effective installation. No disassembly of the product is required during installation.

Optical System: Computer modeled, formed painted steel materials are utilized to provide wide, horizontal indirect distribution.
Finish: White, baked, powder coated polyester finish. Gloss 85%. Consult factory for custom colors/finishes.
Weight: 3.5 kg/300mm [6.8 lb/ft]
Mounting: Solid stem 13mm (1/2") OD or steel aircraft cable complete with a Quick-Grip field adjustable suspension

system provides for quick and easy on site alignment (contact factory for custom lengths).
Ballast: Electronic Instant Start (T8), Programmed Rapid Start, 0-10V Dimming, DALI
Integrated Controls: Refer to Ordering Logic chart above.
Approvals: Certified to NRTL and IES testing standards.
Environment: Suitable for dry locations.

WARRANTY

Metalumen will warrant a one year parts and labour warranty. Warranty is valid if luminaire is installed and used according to specification. The Ballast will carry a standard 5 year warranty by the manufacturer. If defective, Metalumen will send replacement ballasts or drivers at no cost along with detailed replacement instructions and instructions on how to return defective components to Metalumen.

FEATURES

COMMERCIAL // Commercial Lighting - With over 30 years of successful architectural lighting, providing unique concept and installation solutions has become second nature. Metalumen's Start to End Development Process results in unique performance, design and architectural requirements from concept through implementation.

Metalumen's Lighting Solutions have been applied to customer projects requiring: high profile architectural installations; improved energy efficiency; retrofit installations; unique installations. Metalumen can provide top-quality innovative fixtures when and where they are needed and, at the same time, allow the customer to determine their level of involvement in

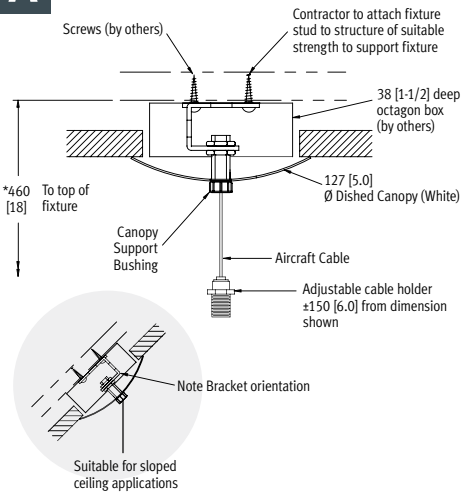
Metalumen's Start to End Development Process.

EDULUMEN // Educational Lighting Edulumen is a collection of premium luminaires that maximize both the functionality and performance of any educational facility. Based on maximum efficiency, integration of controls

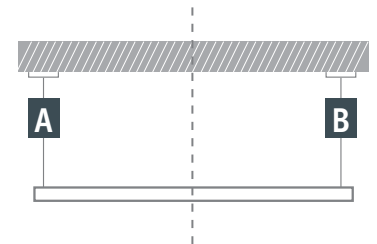
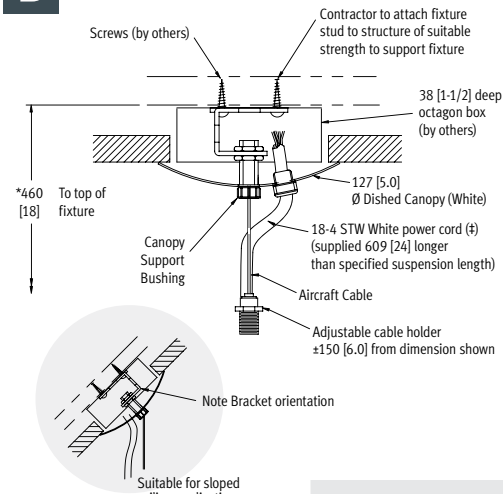
and exceptional design, Edulumen will earn high marks for meeting your requirements. Students challenge themselves throughout the day to achieve, and Metalumen is dedicated to this by creating sustainable environments that foster enhanced educational experiences.

HANGAR INFORMATION

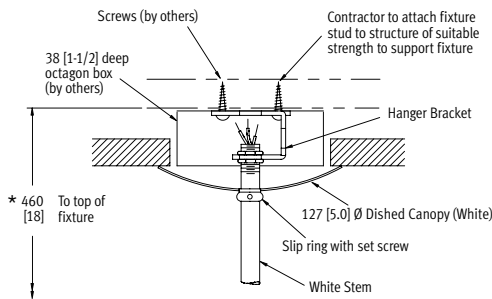
A Aircraft Cable



B Aircraft Cable & Cord



Solid Stem



Select Hanger Length below:

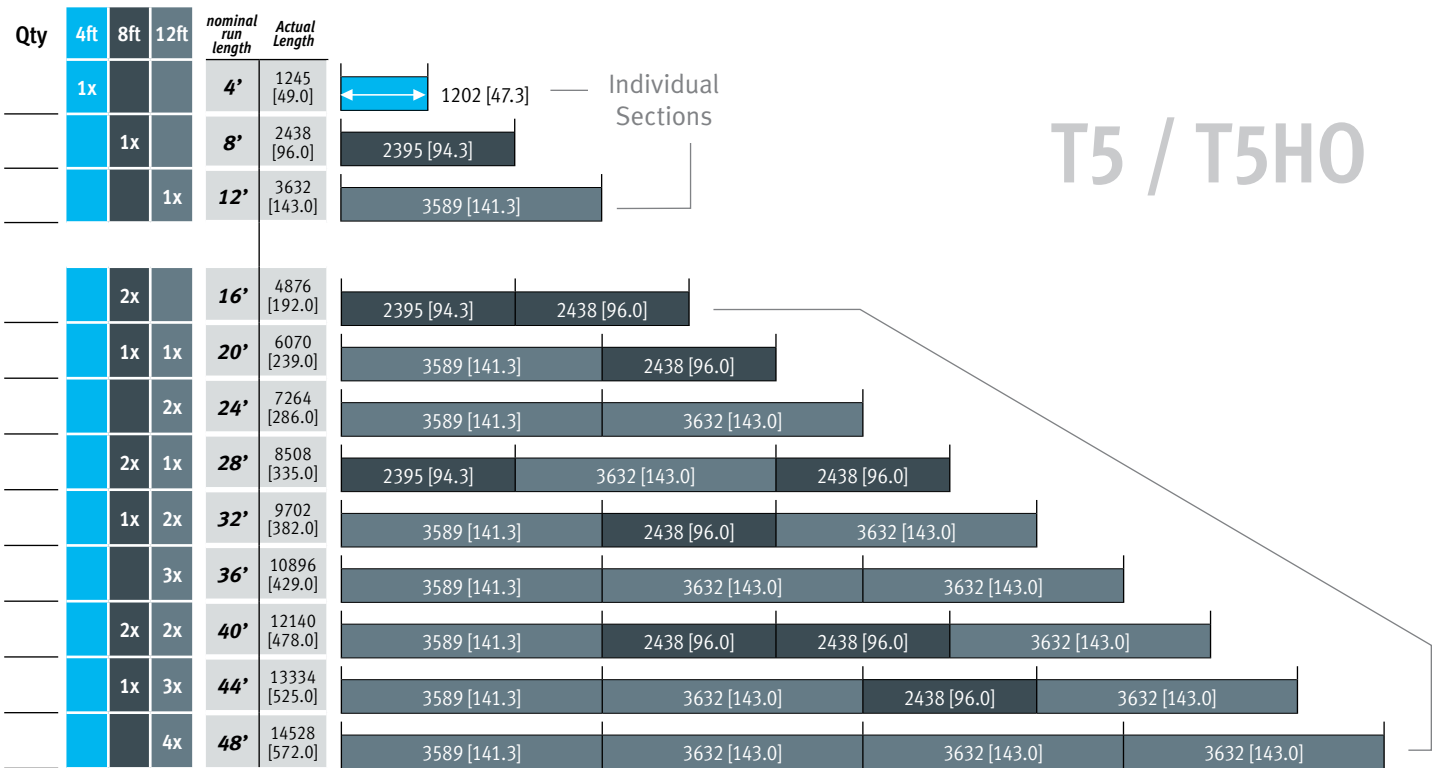
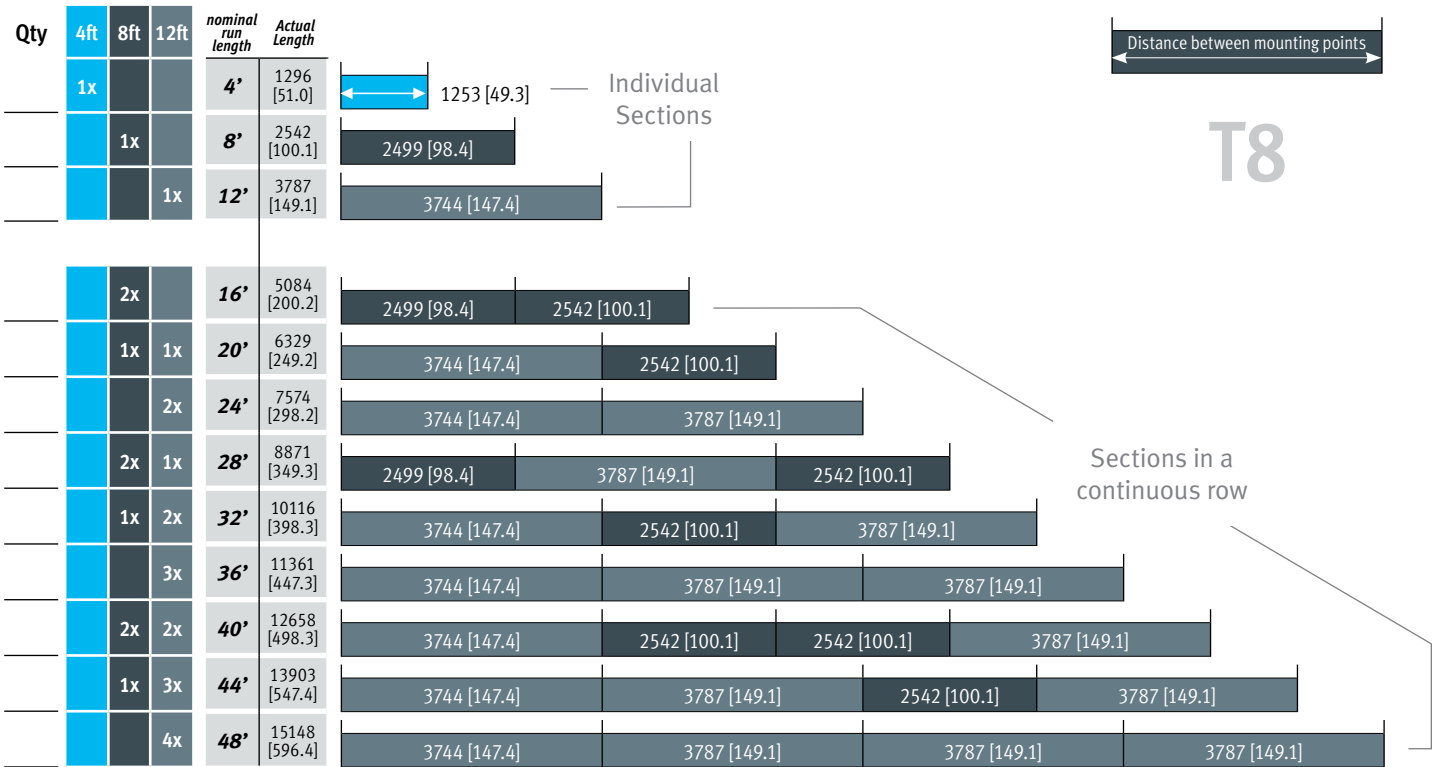
SOLID STEM 3/8" & 1/2" OD STANDARD		
Standard supplied length is 18" (460mm). Hangers will be supplied at closest length. All other lengths are considered custom unless otherwise stated.		
	IMPERIAL (in)	METRIC (mm)
<input type="checkbox"/>	12	305
<input type="checkbox"/>	15	380
<input type="checkbox"/>	18	460
<input type="checkbox"/>	21	533
<input type="checkbox"/>	24	610
<input type="checkbox"/>	27	685
<input type="checkbox"/>	30	760
<input type="checkbox"/>	33	840
<input type="checkbox"/>	36	915
<input type="checkbox"/>	39	990
<input type="checkbox"/>	42	1067
<input type="checkbox"/>	45	1145
<input type="checkbox"/>	48	1220
<input type="checkbox"/>	Custom length:	

AIRCRAFT CABLE		
Total adjustment range is 6" up & down for each standard length. All other lengths are considered custom unless otherwise stated.		
	IMPERIAL (in)	METRIC (mm)
<input type="checkbox"/>	12	305
<input type="checkbox"/>	18	460
<input type="checkbox"/>	24	610
<input type="checkbox"/>	30	760
<input type="checkbox"/>	36	915
<input type="checkbox"/>	42	1067
<input type="checkbox"/>	48	1220
<input type="checkbox"/>	54	1372
<input type="checkbox"/>	60	1525
<input type="checkbox"/>	72	1830
<input type="checkbox"/>	96	2440
<input type="checkbox"/>	120	3050
<input type="checkbox"/>	144	3660
<input type="checkbox"/>	Custom length:	

HANGER FINISH

- White Paint (Standard)
- Custom Specify RAL#:

MOUNTING - ROW CONFIGURATION - Pendant



PHOTOMETRIC DATA

2 T8 LAMPS

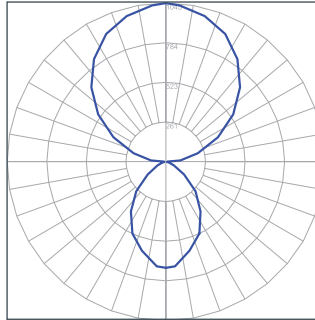
File Name: O5B-2T8-4-CSB
 Luminaire Lumens: 4881
 Total Watts: 78
 Efficacy: 63 lms/W
 Optics Up: Open top
 Optics Down: Solid cross blade baffle

COEFFICIENTS OF UTILIZATION

Zonal Cavity Method
 Effective Floor Cavity Reflectance = .20

RC	80				70				50			
	RW	70	50	30	10	70	50	30	10	50	30	10
RCR												
0	85	85	85	85	75	75	75	75	58	58	58	
1	77	74	71	68	68	66	63	61	50	49	47	
2	70	64	60	55	62	57	53	50	44	41	39	
3	64	57	51	46	57	51	46	42	39	36	33	
4	59	50	44	39	52	45	39	35	35	31	28	
5	54	45	38	33	48	40	34	30	31	27	24	
6	49	40	33	29	44	36	30	26	28	24	21	
7	46	36	29	25	40	32	27	23	25	21	18	
8	42	32	26	22	37	29	24	20	23	19	16	
9	39	29	23	19	35	26	21	18	21	17	14	
10	36	27	21	17	32	24	19	16	19	15	13	

PHOTOMETRIC CURVE



CANDLE DISTRIBUTION

Vertical Angle	Horizontal Angle				
	0.0	22.5	45.0	67.5	90.0
0	698	698	698	698	698
5	692	685	677	692	688
15	606	611	604	608	615
25	523	504	493	517	540
35	401	381	376	376	383
45	277	251	226	205	210
55	147	124	108	102	106
65	60	59	58	76	93
75	24	26	37	61	79
85	8	11	23	44	58
90	11	25	40	60	73
95	97	173	269	329	353
105	219	312	454	554	595
115	381	438	577	686	726
125	544	565	658	751	785
135	693	689	742	797	817
145	825	812	822	850	860
155	927	908	896	902	902
165	993	988	971	963	949
175	1034	1018	1024	1008	1009
180	1045	1045	1045	1045	1045

LUMINANCE DATA (CD/M²)

Vertical Angle	Horizontal Angle		
	0	45	90
45	941	670	608
55	602	368	349
65	321	240	369
75	194	203	408
85	142	197	451

2 T5HO LAMPS

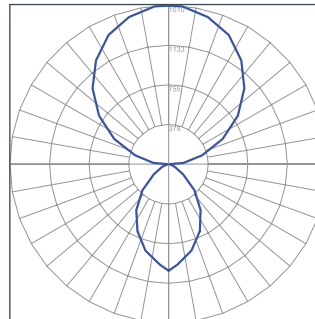
File Name: O5B-2T5HO-4-CSB
 Luminaire Lumens: 7522
 Total Watts: 118
 Efficacy: 64 lms/W
 Optics Up: Open top
 Optics Down: Solid cross blade baffle

COEFFICIENTS OF UTILIZATION

Zonal Cavity Method
 Effective Floor Cavity Reflectance = .20

RC	80				70				50			
	RW	70	50	30	10	70	50	30	10	50	30	10
RCR												
0	86	86	86	86	76	76	76	76	58	58	58	
1	78	75	72	69	69	66	64	61	51	49	48	
2	71	65	60	56	63	58	54	51	45	42	40	
3	65	58	52	47	58	51	46	42	40	36	33	
4	60	51	44	40	53	45	40	36	35	31	28	
5	55	45	39	34	48	40	35	31	31	27	24	
6	50	40	34	29	44	36	31	26	28	24	21	
7	46	36	30	25	41	33	27	23	25	21	19	
8	43	33	27	22	38	29	24	20	23	19	16	
9	40	30	24	20	35	27	21	18	21	17	14	
10	37	27	21	17	33	24	19	16	19	15	13	

PHOTOMETRIC CURVE



CANDLE DISTRIBUTION

Vertical Angle	Horizontal Angle				
	0.0	22.5	45.0	67.5	90.0
0	1013	1013	1013	1013	1013
5	958	954	986	1000	1001
15	851	866	908	965	995
25	703	741	820	883	921
35	532	592	645	613	592
45	352	412	358	233	195
55	171	216	135	121	138
65	69	95	85	119	146
75	34	40	58	97	123
85	11	17	35	67	89
90	15	38	56	82	101
95	143	285	448	559	604
105	330	490	761	935	985
115	571	675	905	1114	1191
125	807	870	1013	1173	1234
135	1024	1059	1136	1222	1252
145	1206	1221	1258	1298	1313
155	1356	1366	1368	1382	1393
165	1449	1461	1447	1437	1446
175	1509	1495	1496	1490	1471
180	1510	1510	1510	1510	1510

LUMINANCE DATA (CD/M²)

Vertical Angle	Horizontal Angle		
	0	45	90
45	1317	1172	625
55	769	507	503
65	405	387	641
75	299	350	704
85	207	328	766