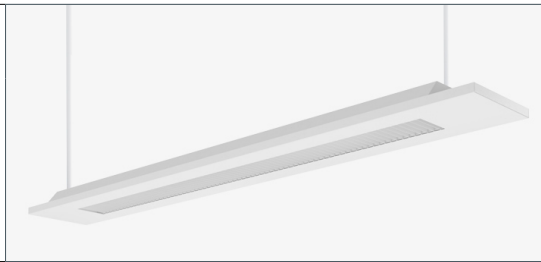
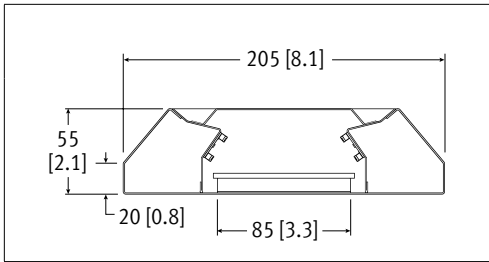


Planar S2E

LED . Pendant



CAT #:
PREP BY:
DATE:
PROJECT:
TYPE:
NOTES:



ORDERING LOGIC

Optics										
S2E			SBO							
Series	Color Temp	Length	Up	Down	Finish	LL / Driver	Circuitry	Mounting	Voltage	Controls
Color Temp		Optics Up		Light Level (LL) / Driver			Circuitry		Voltage	
2L30K = 3000K		_ = None (leave space empty)		Fixture Lumens *Light level measured at 3500K. Add 3% lumen output for 4000K or subtract 2% lumen output for 3000K.			1 = 1 Circuit		1 = 120 V	
2L35K = 3500K		C = Clear Dust Cover					1 = 10V Dimming (Standard)		EM = Emergency/Night Light	
2L40K = 4000K		Optics Down		3500k		B = Battery		3 = 347 V		
Length		SBO = Solid Cross Blade Baffle w/ Opal Overlay		L1 = 2967		Mounting		4 = UNV (120-277V)		
4 = 4 ft		Finish		L2 = 3780		PA = Pendant Aircraft Cable		Controls		
8 = 8 ft		WT = White Textured		L3 = 5419		PT = Pendant Aircraft Cable for T-Bar		_ = None (leave space empty)		
R = Continuous Rows (Consult factory)		C = Custom Finish Specify RAL#:		L4 = 10386		SS = Solid Stem		D = Daylight Sensor		
				Based on 4ft sections.		Select HANGER LENGTH and HANGER FINISH on p2		O = Occupancy Sensor		
								DO = Daylight/Occupancy Sensor		

SPECIFICATIONS

Due to the Continuous Improvement Policy at Metalumen, we reserve the right to change our specifications without notice.

Housing: All Planar housings are precision manufactured of die formed, post painted 20-gauge steel.

CRI: 83 (3500K) (80 minimum)

Lumen Maintenance: At an ambient operating temperature of 25°C the LED lifetime expectancy => 50 000hrs at L70.

Finish: White textured polyester powder coated paint with 91% reflectance is the standard finish.

Weight: 2.52 kg/300mm [5.62 lb/ft]

Mounting: Solid stem 13mm (1/2") OD or steel aircraft cable complete with a Quick-Grip field adjustable suspension system provides for quick and easy on site alignment (contact factory for custom lengths).

Drivers: Metalumen offers dimming drivers as a standard on our entire LED product offering at 0-10V. Dimming is 10%-100% range Power factor is > 90% with a Class 2

rating.

Controls: Refer to Ordering Logic chart above.

Options: Consult factory for Lutron driver options:

- L3DAE Hi-lume 1% EcoSystem LED Driver
- L3DA3W Hi-lume 1% 3-wire LED Driver
- LTEA2W Hi-lume 1% 2-wire LED Driver
- LDE1 Hi-lume 1% -H EcoSystem LED Driver
- LDE5 5-Series EcoSystem LED Driver

Approvals: Certified to NRTL and IES testing standards. DLC Listed (check QPL for exact listing). All components are UL Recognized or Listed. LM79/LM80 compliant.

Environment: Suitable for dry locations.

WARRANTY

Metalumen will warrant defective luminaires for 5 years from date of purchase. Warranty is valid if luminaire is installed and used according to specification. If defective, Metalumen will send replacement boards or drivers at no cost along with detailed replacement instructions and instructions on how to return defective components to Metalumen.

LUMINAIRE WATTAGE AND OUTPUT SPECIFICATION

Light Level	Wattage	Lumens Delivered	Efficacy (LPW)
L1	27.3	2967	109
L2	34.8	3780	109
L3	47.7	5419	113
L4	95.5	10386	109

FEATURES

COMMERCIAL // Commercial Lighting - With over 30 years of successful architectural lighting, providing unique concept and installation solutions has become second nature. Metalumen's Start to End Development Process results in unique performance, design and architectural requirements from concept through implementation. Metalumen's Lighting Solutions have been

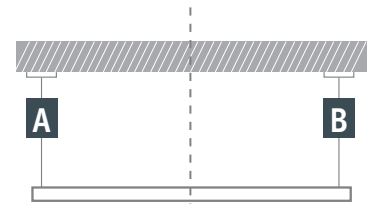
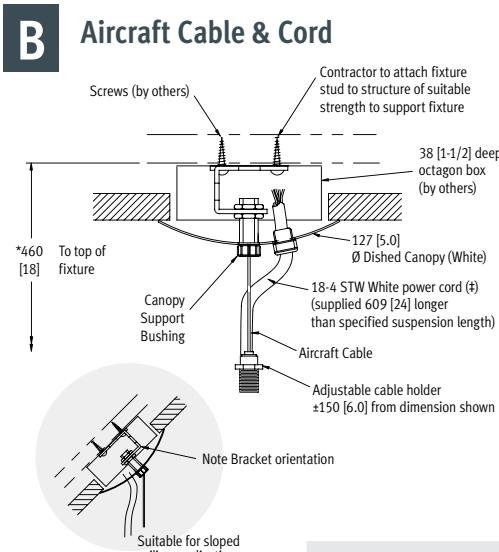
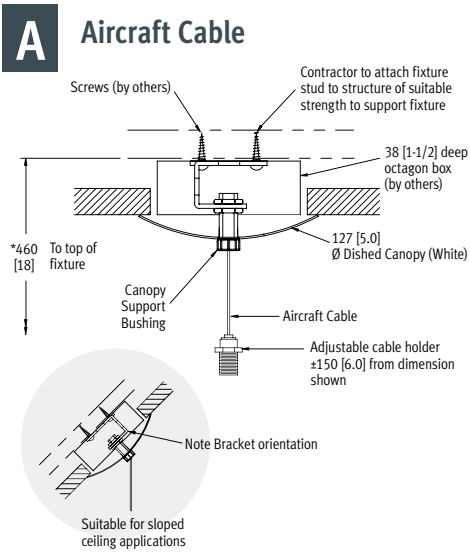
applied to customer projects requiring: high profile architectural installations; improved energy efficiency; retrofit installations; unique installations. Metalumen can provide top-quality innovative fixtures when and where they are needed and, at the same time, allow the customer to determine their level of involvement in Metalumen's Start to End Development Process.

EDULUMEN // Educational Lighting Edulumen is a collection of premium luminaires that maximize both the functionality and performance of any educational facility. Based on maximum efficiency, integration of controls and exceptional design, Edulumen will earn high marks for meeting your requirements. Students challenge themselves throughout the day to achieve, and Metalumen is dedicated

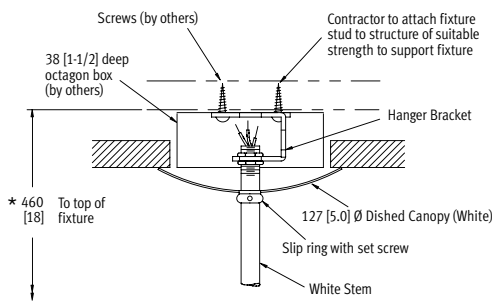
to this by creating sustainable environments that foster enhanced educational experiences.

META LED boards with a raw efficacy of over 120lm/W, proprietary to Metalumen. A slim LED platform for any of your LED linear application.

HANGAR INFORMATION



Solid Stem



HANGER FINISH

<input type="checkbox"/>	White Paint (Standard)
<input type="checkbox"/>	Custom Specify RAL#:

Select Hanger Length:

SOLID STEM 1/2" OD STANDARD			AIRCRAFT CABLE		
Standard supplied length is 18" (460mm). Hangers will be supplied at closest length. All other lengths are considered custom unless otherwise stated.			Total adjustment range is 6" up & down for each standard length. All other lengths are considered custom unless otherwise stated.		
	IMPERIAL (in)	METRIC (mm)		IMPERIAL (in)	METRIC (mm)
<input type="checkbox"/>	12	305	<input type="checkbox"/>	12	305
<input type="checkbox"/>	15	380	<input type="checkbox"/>	18	460
<input type="checkbox"/>	18	460	<input type="checkbox"/>	24	610
<input type="checkbox"/>	21	533	<input type="checkbox"/>	30	760
<input type="checkbox"/>	24	610	<input type="checkbox"/>	36	915
<input type="checkbox"/>	27	685	<input type="checkbox"/>	42	1067
<input type="checkbox"/>	30	760	<input type="checkbox"/>	48	1220
<input type="checkbox"/>	33	840	<input type="checkbox"/>	54	1372
<input type="checkbox"/>	36	915	<input type="checkbox"/>	60	1525
<input type="checkbox"/>	39	990	<input type="checkbox"/>	72	1830
<input type="checkbox"/>	42	1067	<input type="checkbox"/>	96	2440
<input type="checkbox"/>	45	1145	<input type="checkbox"/>	120	3050
<input type="checkbox"/>	48	1220	<input type="checkbox"/>	144	3660
<input type="checkbox"/>	Custom length:		<input type="checkbox"/>	Custom length:	

ROW CONFIGURATIONS

Qty	4ft	8ft	nominal run length	Actual Length	Distance between mounting points				
1x			4'	1490 [58.7]	1252 [49.3]				
		1x	8'	2735 [107.7]	2498 [98.3]				
1x	1x	12'	4031 [158.7]	2498 [98.4]	1296 [51.0]				
	2x	16'	5276 [207.7]	2498 [98.4]	2541 [100.0]				
1x	2x	20'	6573 [258.8]	2498 [98.4]	2541 [100.0]	1296 [51.0]			
	3x	24'	7818 [307.8]	2498 [98.4]	2541 [100.0]	2541 [100.0]			
1x	3x	28'	9113 [358.8]	2498 [98.4]	2541 [100.0]	2541 [100.0]	1296 [51.0]		
	4x	32'	10359 [407.8]	2498 [98.4]	2541 [100.0]	2541 [100.0]	2541 [100.0]		
1x	4x	36'	11654 [458.8]	2498 [98.4]	2541 [100.0]	2541 [100.0]	2541 [100.0]	1296 [51.0]	
	5x	40'	12899 [507.8]	2498 [98.4]	2541 [100.0]	2541 [100.0]	2541 [100.0]	2541 [100.0]	
1x	5x	44'	14194 [558.8]	2498 [98.4]	2541 [100.0]	2541 [100.0]	2541 [100.0]	2541 [100.0]	1296 [51.0]
	6x	48'	15440 [607.9]	2498 [98.4]	2541 [100.0]	2541 [100.0]	2541 [100.0]	2541 [100.0]	2541 [100.0]

PHOTOMETRIC DATA - 3500k

L3

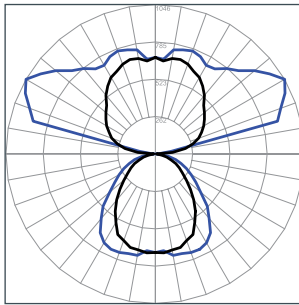
File Name: S2E-2L35K-4-SB0-L3
 Luminaire Lumens: 5419
 Total Watts: 47.7
 Efficacy: 113 lms/W
 Optics Up: None
 Optics Down: Solid Cross Blade Baffle with Opal Overlay

COEFFICIENTS OF UTILIZATION

Zonal Cavity Method
 Effective Floor Cavity Reflectance = .20

RC	80			70			50					
	RW	70	50	30	10	70	50	30	10	50	30	10
RCR												
0	103	103	103	103	93	93	93	93	74	74	74	
1	94	90	86	83	85	81	78	75	65	63	61	
2	86	79	73	68	77	71	66	62	57	54	51	
3	78	69	62	57	70	63	57	52	50	46	43	
4	72	61	54	48	64	56	49	44	45	40	36	
5	66	55	47	41	59	50	43	38	40	35	31	
6	61	49	41	36	54	45	38	33	36	31	27	
7	56	44	36	31	50	40	33	29	33	28	24	
8	52	40	33	27	47	36	30	25	30	25	21	
9	48	36	29	24	43	33	27	23	27	22	19	
10	45	33	26	22	41	30	24	20	25	20	17	

PHOTOMETRIC CURVE



LUMINANCE DATA (CD/M²)

Vertical Angle	Horizontal Angle		
	0	45	90
45	1564	1512	1887
55	1275	1111	1431
65	1148	827	1199
75	948	612	945
85	496	233	386

CANDLE DISTRIBUTION

Vertical Angle	Horizontal Angle				
	0	22.5	45	67.5	90
0	689.83	689.83	689.83	689.83	689.83
5	694.14	694.25	708.05	689.15	678.73
10	682.11	688.89	675.55	699.38	721.75
15	677.78	666.04	693.29	705.57	720.81
20	644.74	658.72	676.96	720.19	734.71
25	623.78	607.21	654.34	710.83	736.9
30	553.28	560.88	628.17	691.55	717.9
35	490.94	495.73	565.56	637.87	674.92
40	419.65	424.31	484.6	558.66	586.78
45	350.42	352.51	396.87	473.38	516.42
50	286.91	289.97	324.1	388.96	418.88
55	235.14	232.87	254.28	315.89	346.31
60	195.79	188.95	200.24	258.36	291.69
65	159.94	152.19	155.84	200.43	243.35
70	119.19	116.94	116.76	153.56	193.54
75	85.28	81.7	87.13	105.1	149.01
80	49.82	51.81	52.32	64.29	94.64
85	18.74	19.58	21.41	28.12	41.58
90	9.36	3.8	3.91	3.86	6.52
95	122.28	158.97	25.12	18.1	17.44
100	215.98	423.96	460.93	236.02	112.46
105	274.62	521.44	688.74	833.04	886.44
110	325.08	518.51	792.09	903.68	936.78
115	357.13	487.27	818.11	967.74	1004.75
120	393.37	473.24	761.08	976.37	1046.42
125	421.12	476.61	702.13	909.63	979.91
130	451.57	500.89	644.68	836.25	909.1
135	481.75	537.51	614.34	772.1	824.76
140	536.42	585.92	618.5	727.38	780.05
145	579.73	638.14	668.89	686.07	728.39
150	619.32	672.06	717.2	716.7	716.8
155	639.58	690.15	727.73	743.52	751.41
160	669.34	701.39	732.61	756.18	767.97
165	685.35	706.98	734.35	748.42	753.7
170	679.62	686.43	724.9	730.75	739.66
175	653.61	691.25	697.86	688.66	666.97
180	677.59	677.59	677.59	677.59	677.59