



NOTE: The following instructions provide general guidelines for product installation. For additional information consult the applicable electrical codes or contact factory directly for support before attempting anything with uncertainty.

CAUTION: Do not assemble fixture runs on floor.

WARNING: Risk of fire and electrical shock. **DISCONNECT POWER AT ELECTRICAL PANEL** before installing or servicing this product.

GENERAL SAFETY INSTRUCTIONS:

1. Read all instructions prior to installing this fixture.
2. This product must be installed in accordance with the applicable installation code by a person familiar with the construction and operation of the product and the hazards involved.
3. All wiring must be performed by a qualified electrician in accordance with national and local building and electrical codes.
4. This fixture must be suitably grounded for your protection against shock hazards and to assure proper operation.
5. Make sure that the power source conforms to the requirements of this fixture.
6. Based on maximum voltage restrictions for class 2 circuits in Canadian Electrical Code, the output cannot be accessible. This product has accessible output terminals. This product complies with this requirement since the installation instruction requires installation in Restricted Access Area.

Specifications and design subject to change without notice.

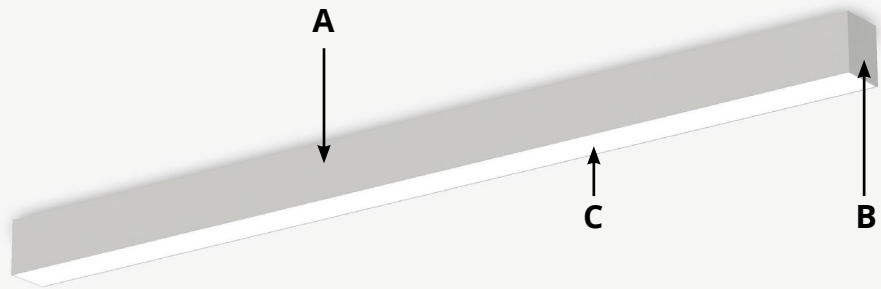
PARTS LIST

MAIN PARTS LIST

- A. Luminaire Enclosure
- B. End Plate
- C. Lens

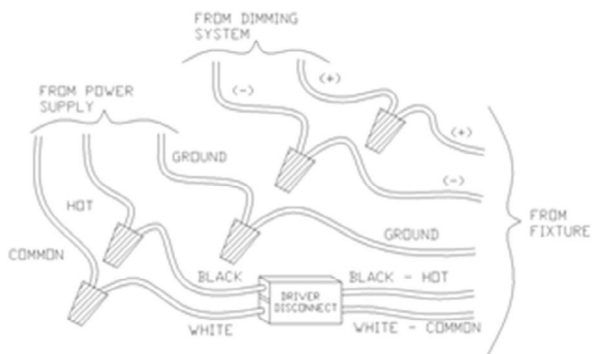
OTHER PARTS

- Reflector/LED Assembly

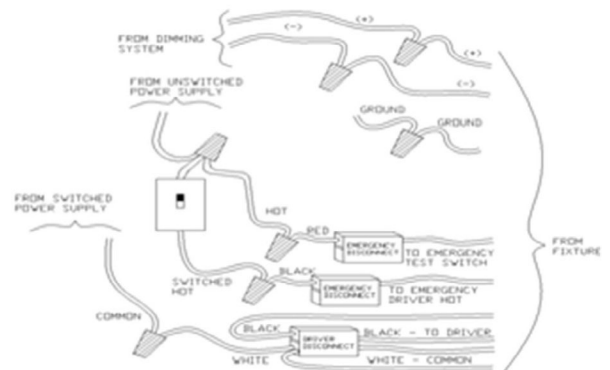


WIRING DIAGRAMS

STANDARD WIRING

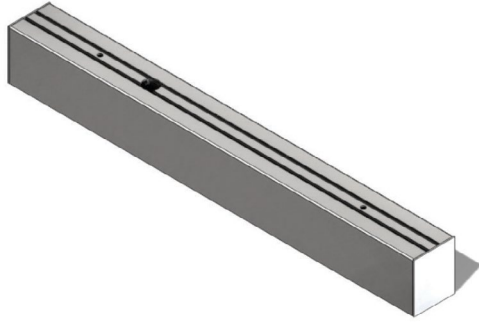


WITH OPTIONAL EMERGENCY PACK



Specifications and design subject to change without notice.

STEP-BY-STEP INSTRUCTIONS



STEP 1. Remove fixture packaging; note marked supply wires coming out at the top of the luminaire.



STEP 2. Remove lens (B) starting at one end. Pull one side first, rotate and detach. Keep lens.



STEP 3. Remove reflector assembly mounting screws and reflector/LED. Note fixtures with optional emergency pack have a test switch and indicator light mounted on the reflector.



STEP 4. Install and secure fixture to mounting surface (fasteners by others). Perform electrical wiring. Optional emergency ballast must be fed from the same branch circuit as the AC ballast.

Specifications and design subject to change without notice.

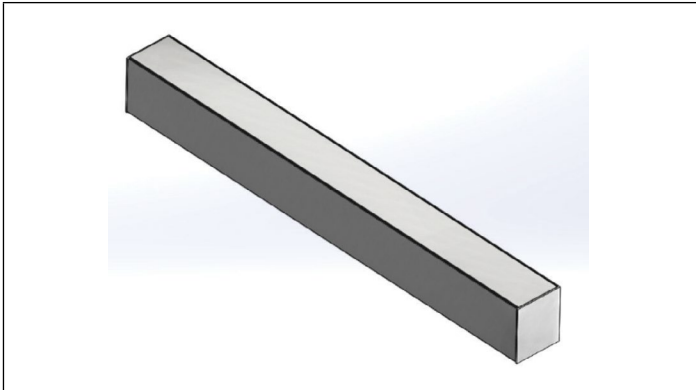
STEP-BY-STEP INSTRUCTIONS



STEP 5. Re-attach reflector/LED assembly with mounting screws.



STEP 6. Re-attach lens. Start with one side first and close the other side starting from the corner.



STEP 7. Installed fixture.

Specifications and design subject to change without notice.