

Rail 2 RM2DI (Formerly Rail)

LED . Pendant . Direct/Indirect

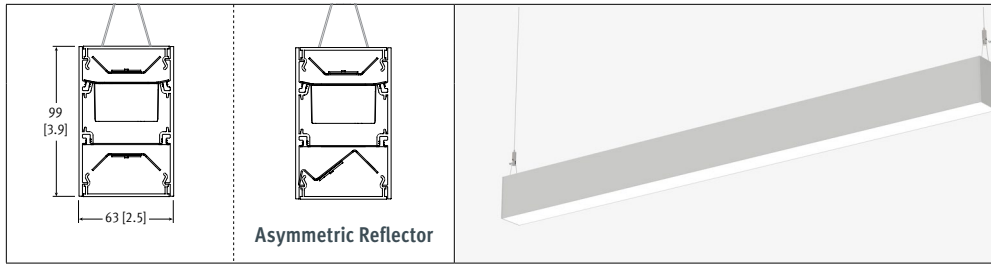


MetaICE



See p.2 for DLC Approved Products

CAT #:
PREP BY:
DATE:
PROJECT:
TYPE:
NOTES:



ORDERING LOGIC

Example Part Number: RM2DI-2L35K-8-MMA-SA-L3UD-PA-1-D-90

RM2DI		Optics		Finish		LL/Driver		Circuitry		Voltage		Controls		Options																																																												
Series	Color Temp	Length / Pattern	Up	Down	Finish	LL/Driver	Circuitry	Mounting	Voltage	Controls	Options																																																															
Color Temp	Length / Pattern	Optics Up	Light Level (LL) / Driver				Circuitry		Voltage																																																																	
2L30K = 3000K	4 = 4 ft	N = None - Open Top	Fixture Lumens Light level measured at 3500K.				1 = 1 Circuit UD = Up / Down Switching EM = Emergency/Night Light B = Battery Pack		1 = 120 V 2 = 277 V 3 = 347 V 4 = UNV (120-277V)																																																																	
2L35K = 3500K	8 = 8 ft	M = Meta Ice	<table border="1"> <thead> <tr> <th rowspan="2"></th> <th colspan="2">0-10V Dimming (Standard)</th> <th>Lumens Delivered</th> <th>Wattage</th> <th>Efficacy (LPW)</th> </tr> <tr> <th>M up</th> <th>M down</th> <th>L1</th> <th>L2</th> <th>L3</th> <th>L4</th> </tr> </thead> <tbody> <tr> <td rowspan="4">M up</td> <td></td> <td></td> <td>3409</td> <td>27.6</td> <td>123</td> <td></td> </tr> <tr> <td></td> <td></td> <td>4203</td> <td>35.2</td> <td>119</td> <td></td> </tr> <tr> <td></td> <td></td> <td>5616</td> <td>48.3</td> <td>116</td> <td></td> </tr> <tr> <td></td> <td></td> <td>10339</td> <td>96.6</td> <td>107</td> <td></td> </tr> <tr> <td rowspan="4">M down</td> <td></td> <td></td> <td>3389</td> <td>27.6</td> <td>122</td> <td></td> </tr> <tr> <td></td> <td></td> <td>4178</td> <td>35.2</td> <td>118</td> <td></td> </tr> <tr> <td></td> <td></td> <td>5578</td> <td>48.3</td> <td>115</td> <td></td> </tr> <tr> <td></td> <td></td> <td>10271</td> <td>96.6</td> <td>106</td> <td></td> </tr> </tbody> </table>					0-10V Dimming (Standard)		Lumens Delivered	Wattage	Efficacy (LPW)	M up	M down	L1	L2	L3	L4	M up			3409	27.6	123				4203	35.2	119				5616	48.3	116				10339	96.6	107		M down			3389	27.6	122				4178	35.2	118				5578	48.3	115				10271	96.6	106		Mounting PA = Pendant Aircraft Cable PT = Pendant Aircraft Cable for T-Bar		For other voltage, consult factory Controls - = None (leave space empty) D = Daylight Sensor O = Occupancy Sensor DO = Daylight/Occupancy Sensor			
	0-10V Dimming (Standard)		Lumens Delivered	Wattage	Efficacy (LPW)																																																																					
	M up	M down	L1	L2	L3	L4																																																																				
M up			3409	27.6	123																																																																					
			4203	35.2	119																																																																					
			5616	48.3	116																																																																					
			10339	96.6	107																																																																					
M down			3389	27.6	122																																																																					
			4178	35.2	118																																																																					
			5578	48.3	115																																																																					
			10271	96.6	106																																																																					
2L40K = 4000K	12 = 12 ft	Optics Down	Based on 4ft sections.				MA = Meta Ice w/ Asymmetric Reflector		MA = Meta Ice MA = Meta Ice w/ Asymmetric Reflector		Options 90 = 90 CRI - = None (leave space empty)																																																															
	R = Continuous Rows See p.4 G = Square / Rectangle U = U-Shape L = L-Shape C = Custom Pattern* Enter pattern dimensions on page 2	M = Meta Ice SA = Satin Aluminum W = White C = Custom Finish Specify RAL#:	<table border="1"> <thead> <tr> <th colspan="3">Lumen Adjustment Factor</th> </tr> <tr> <th>Color Temp</th> <th>80 CRI</th> <th>90 CRI</th> </tr> </thead> <tbody> <tr> <td>3000K</td> <td>0.984</td> <td>0.873</td> </tr> <tr> <td>3500K</td> <td>1.000</td> <td>0.875</td> </tr> <tr> <td>4000K</td> <td>1.032</td> <td>0.879</td> </tr> </tbody> </table>				Lumen Adjustment Factor			Color Temp	80 CRI	90 CRI	3000K	0.984	0.873	3500K	1.000	0.875	4000K	1.032	0.879	Select CABLE LENGTH and HANGER FINISH on p.2																																																				
Lumen Adjustment Factor																																																																										
Color Temp	80 CRI	90 CRI																																																																								
3000K	0.984	0.873																																																																								
3500K	1.000	0.875																																																																								
4000K	1.032	0.879																																																																								

* Consult factory for custom patterns, including X and T patterns.

SPECIFICATIONS

Due to the Continuous Improvement Policy at Metalumen, we reserve the right to change our specifications without notice.

Housing: Rigid extruded aluminum body, 2.3mm [0.09"] nominal wall thickness. 63mm [2.5"] wide x 99mm [3.9"] high. Steel formed end caps.

Optical System: Optical System MetaLED mid flux LED technology transmits to an internal high performance-side kicking reflector that then passes through our Meta Ice acrylic diffuser for smooth distribution, creating a continuum of smooth consistent light.

CRI: 83+ for 3500K, 80 minimum for all CCTs in standard configurations.

Lumen Maintenance: At an ambient operating temperature of 35°C the LED lifetime expectancy =< 60 000hrs at L70.

Finish: Satin Aluminum and white are standard. For custom finish, contact factory.

Mounting: Steel aircraft cable yoke complete with a Quick-Grip field adjustable suspension system provides for quick and easy on-site alignment.

Electrical: Factory prewired with easy wire quick connect sections.

Drivers: Metalumen offers dimming drivers as a standard on our entire LED product offering at 0-10V. Dimming is 10%-100% range Power factor is >90% with a Class 2 rating.

Controls: Refer to Ordering Logic chart above.

Lutron Driver Options: Consult factory for Lutron driver options:

- L3DAE Hi-lume 1% EcoSystem LED Driver
 - L3DA3W Hi-lume 1% 3-wire LED Driver
 - LTEA2W Hi-lume 1% 2-wire LED Driver
 - LDE1 Hi-lume 1% -H EcoSystem LED Driver
 - LDE5 5-Series EcoSystem LED Driver
- Approvals:** Certified to NRTL and IES testing standards. RoHS compliant. This product is cULus listed.
- Environment:** Suitable for dry or damp locations.

APPROVALS Signature _____

Date _____

FILE NAME: RM2DI_LED_PA_PT_SPEC_SHEET

20180316

570 Southgate Drive, Guelph, Ontario N1G 4P6
Mailing Address: P.O. Box 1779 Guelph, Ontario, N1H 6Z9

1.800.621.6785 | T 519.822.4381 | F 519.822.4589
www.metalumen.com

Metalumen

WARRANTY

Metalumen will warrant defective luminaires for 5 years from date of purchase. Warranty is valid if luminaire is installed and used according to specification. If defective, Metalumen will send replacement boards or drivers at no cost along with detailed replacement instructions and instructions on how to return defective components to Metalumen.

FEATURES

COMMERCIAL // Commercial Lighting - With over 30 years of successful architectural lighting, providing unique concept and installation solutions has become second nature. Metalumen's Start to End Development Process results in unique performance, design and architectural requirements from concept through implementation. Metalumen's Lighting Solutions have been applied to customer projects requiring: high profile architectural installations; improved

energy efficiency; retrofit installations; unique installations. Metalumen can provide top-quality innovative fixtures when and where they are needed and, at the same time, allow the customer to determine their level of involvement in Metalumen's Start to End Development Process.

MEDILUMEN // Healthcare Lighting Every product in our broad line of healthcare luminaires has been


strategically engineered to meet modern healthcare demands while addressing patient needs and aesthetic requirements.

MetaICE META ICE is a smooth Continuum Optical System with a 91% transmission rate that creates smooth subdued lighting with no source imagery. Meta Ice is a premium lensing optic unique to Metalumen but coupled with a high performance side kicking specular reflector to maximize the lumens


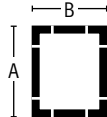
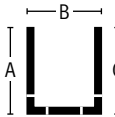

from the source creating an unparalleled lumen delivery.

META LED boards with a raw efficacy of over 120lm/W, proprietary to Metalumen. A slim LED platform for any of your LED linear application.

DAMP Suitable for damp locations.

	DLC Approved RM2DI Products	RM2DI-2L35K-4-MM-xx-L1X-X-XX-4-X	RM2DI-2L35K-8-MM-xx-L1X-X-XX-[34]-X	For more Metalumen DLC Approved Products, visit the DLC Website
		RM2DI-2L40K-4-MM-xx-L2X-X-XX-[34]-X	RM2DI-2L35K-8-MM-xx-L2X-X-XX-[34]-X	
		RM2DI-2L40K-4-MM-xx-L3X-X-XX-[34]-X	RM2DI-2L35K-8-MM-xx-L3X-X-XX-[34]-X	
			RM2DI-2L40K-8-MM-xx-L1X-X-XX-[34]-X	
			RM2DI-2L40K-8-MM-xx-L2X-X-XX-[34]-X	
		RM2DI-2L40K-8-MM-xx-L3X-X-XX-[34]-X		

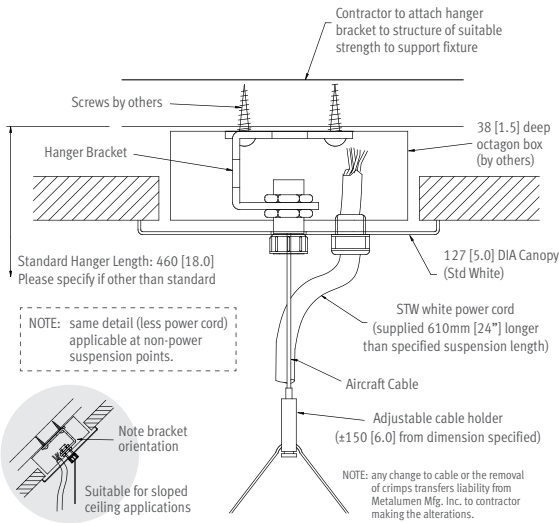
PATTERNS

	Square (G)	Rectangle (G)	U-Shape (U)	L-Shape (L)
Select Pattern				
Pattern Configuration				
Indicate Desired Lengths (ft)	A =	A = B =	A = B = C =	A = B =
Minimum Lengths	4' for all sides		A = 3', B = 4', C = 3'	A = 3', B = 3'

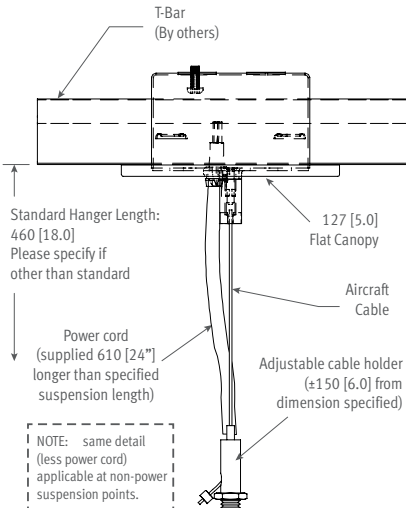
Record drawings will be sent out upon order showing mounting locations.

HANGERS

Aircraft Cable & Cord



T-Bar Aircraft Cable & Cord



Select Cable Length below:

AIRCRAFT CABLE

Total adjustment range is 6" up & down for each standard length.

All other lengths are considered custom unless otherwise stated.

	IMPERIAL (in)	METRIC (mm)
<input type="checkbox"/>	12	305
<input type="checkbox"/>	18	460
<input type="checkbox"/>	24	610
<input type="checkbox"/>	30	760
<input type="checkbox"/>	36	915
<input type="checkbox"/>	42	1067
<input type="checkbox"/>	48	1220
<input type="checkbox"/>	54	1372
<input type="checkbox"/>	60	1525
<input type="checkbox"/>	72	1830
<input type="checkbox"/>	96	2440
<input type="checkbox"/>	120	3050
<input type="checkbox"/>	144	3660
<input type="checkbox"/>	Custom length:	

HANGER FINISH

- White Paint (Standard)
- Custom Specify RAL#:

