



NOTE: The following instructions provide general guidelines for product installation. For additional information consult the applicable electrical codes or contact factory directly for support before attempting anything with uncertainty.

CAUTION: Do not assemble fixture runs on floor.

WARNING: Risk of fire and electrical shock. **DISCONNECT POWER AT ELECTRICAL PANEL** before installing or servicing this product.

GENERAL SAFETY INSTRUCTIONS:

1. Read all instructions prior to installing this fixture.
2. This product must be installed in accordance with the applicable installation code by a person familiar with the construction and operation of the product and the hazards involved.
3. All wiring must be performed by a qualified electrician in accordance with national and local building and electrical codes.
4. This fixture must be suitably grounded for your protection against shock hazards and to assure proper operation.
5. Make sure that the power source conforms to the requirements of this fixture.

Specifications and design subject to change without notice.

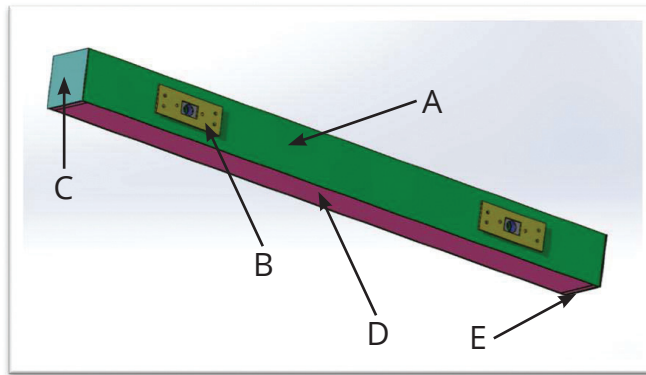
PARTS LIST

MAIN PARTS LIST

- A. Luminaire Enclosure
- B. Wall Mounting Plate
- C. End Plate
- D. Lens
- E. Filler & Magnet

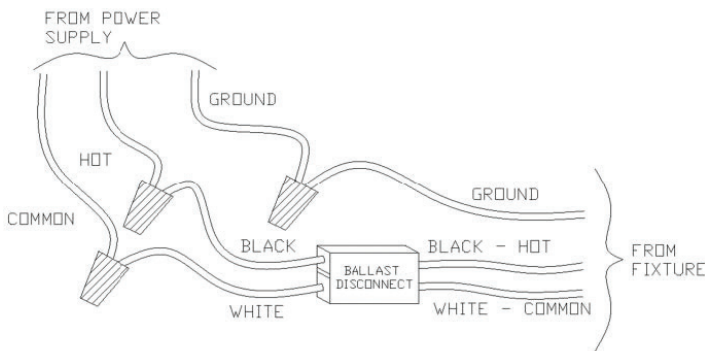
OTHER PARTS

- Reflector
- Lamp (supplied or by others)
- Electrical Box (by others)
- Fasteners (by others)

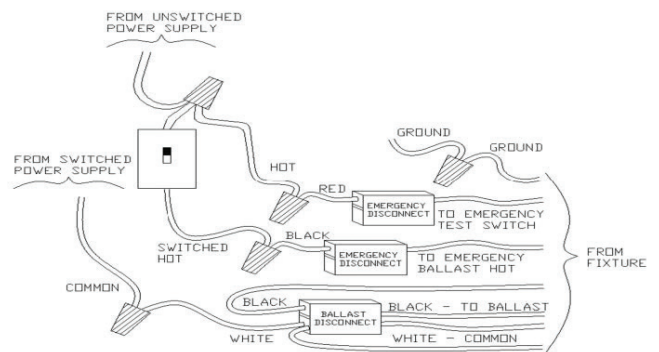


WIRING DIAGRAMS

STANDARD WIRING

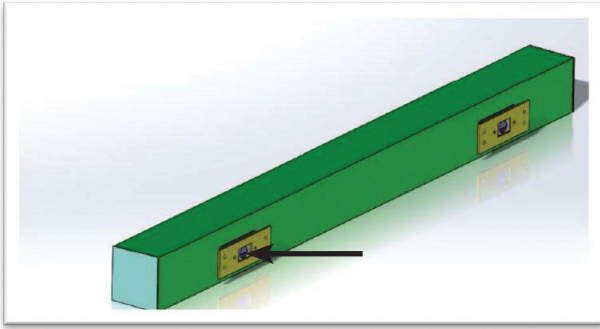


WITH OPTIONAL EMERGENCY PACK

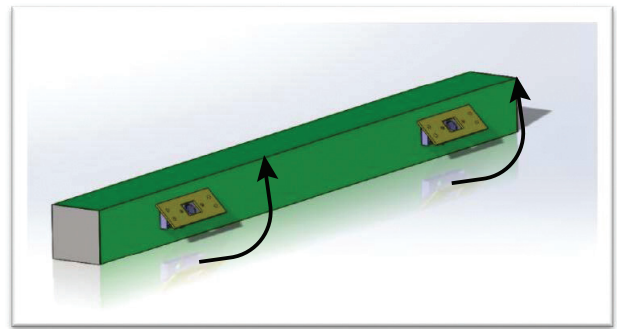


Specifications and design subject to change without notice.

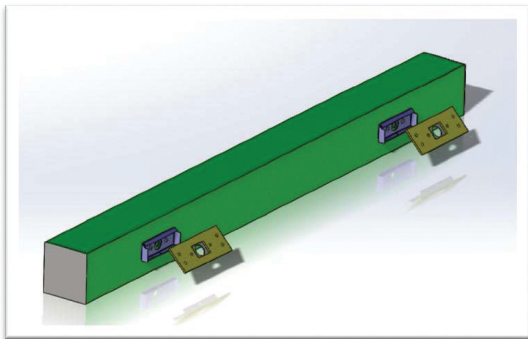
STEP-BY-STEP INSTRUCTIONS



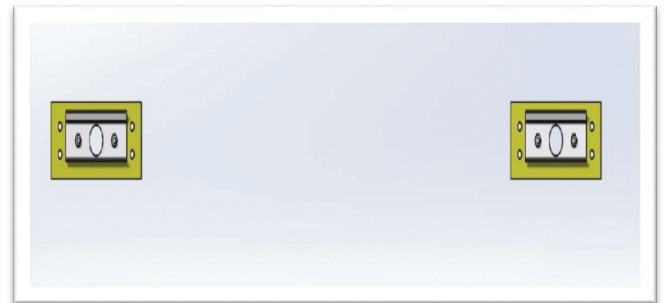
STEP 1. Remove fixture packaging; note marked supply wires coming out at one end of the luminaire.



STEP 2. Remove (1) mounting screw from each of the (2) wall brackets. Swing out wall mounting plates (B).



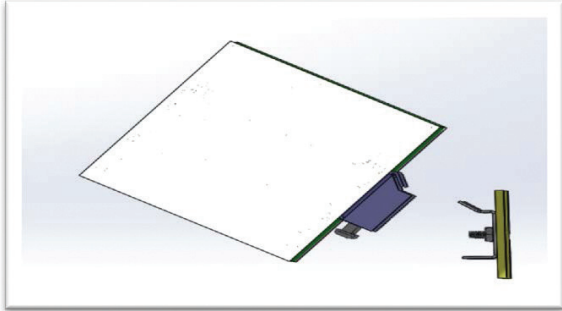
STEP 3. Detach plates from luminaire enclosure (A). Use mounting plate and mounting location diagram to mark location of mounting fasteners (by others).



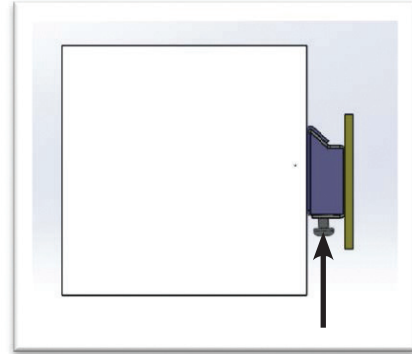
STEP 4. Install both wall mounting plates. Use (4) fasteners for each plate. Make sure the plate on wire entry side completely seals the electrical box and the two plates are installed at the same horizontal level. Route wires through wall mount bracket.

Specifications and design subject to change without notice.

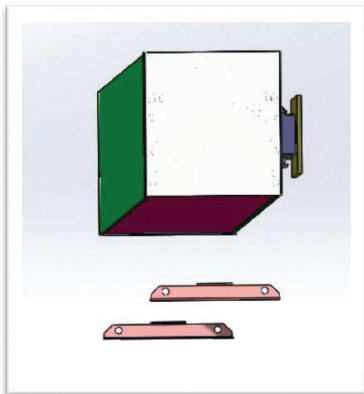
STEP-BY-STEP INSTRUCTIONS



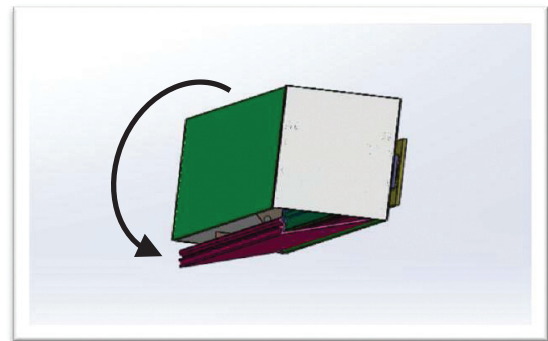
STEP 5. Route wires through wire entry hole to inside of fixture. Attach luminaire to wall plates.



STEP 6. Complete luminaire attachment and secure it in place by re-attaching (2) wall bracket mounting screws. Make sure supply wires are not pinched while performing this step.



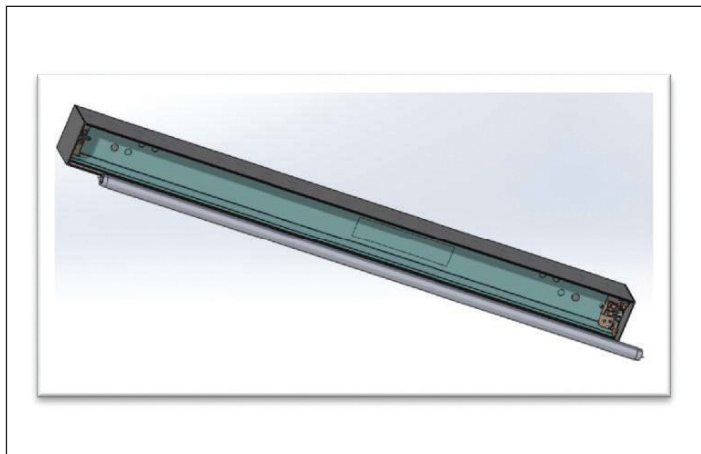
STEP 7. Remove Filler and magnet. Keep all parts.



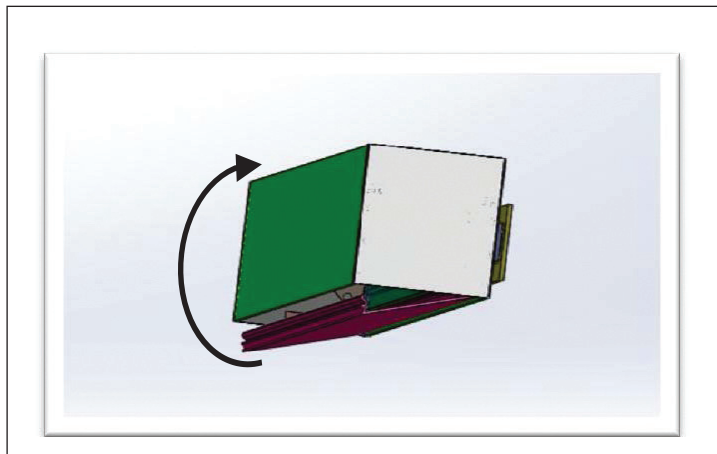
STEP 8. Remove lens (D) starting at one end. Pull one side first, rotate and detach. Keep lens.

Specifications and design subject to change without notice.

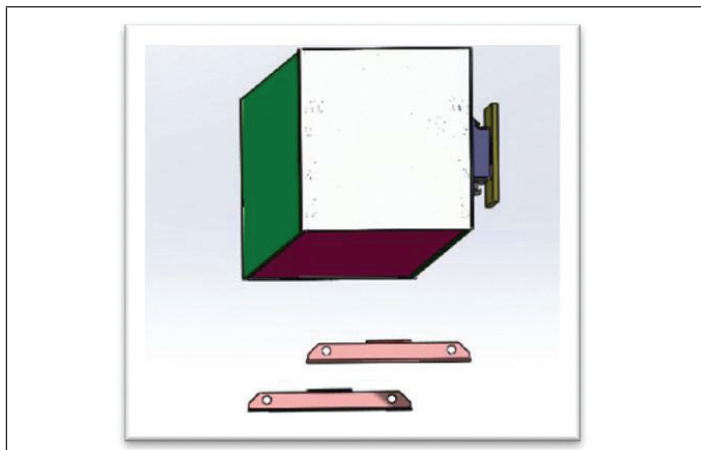
STEP-BY-STEP INSTRUCTIONS



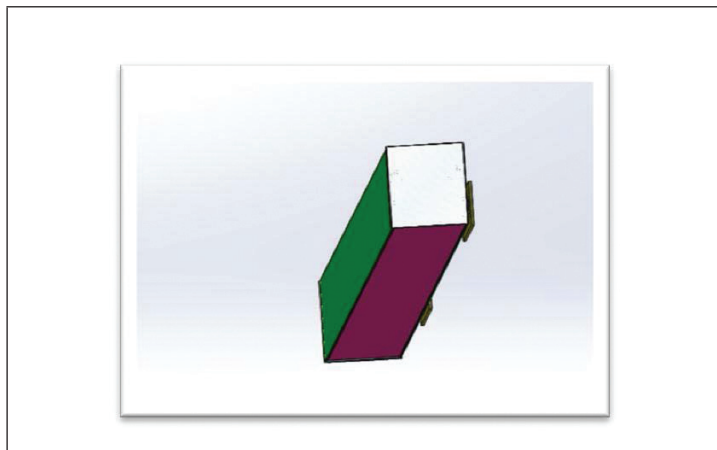
STEP 9. Reflector can be removed now only if access to ballast is required. Note fixtures with optional emergency pack have a test switch and indicator light mounted on the reflector. Re-attach reflector (if applicable). Install lamp(s).



STEP 10. Re-attach lens. Start with one side first and close the other side starting from the corner.



STEP 11. Re-attach filler and magnet.



STEP 12. Installed fixture.

Specifications and design subject to change without notice.