



**NOTE:** The following instructions provide general guidelines for product installation. For additional information consult the applicable electrical codes or contact factory directly for support before attempting anything with uncertainty.

**CAUTION:** Do not assemble fixture runs on floor.

**WARNING:** Risk of fire and electrical shock. **DISCONNECT POWER AT ELECTRICAL PANEL** before installing or servicing this product.

#### GENERAL SAFETY INSTRUCTIONS:

1. Read all instructions prior to installing this fixture.
2. This product must be installed in accordance with the applicable installation code by a person familiar with the construction and operation of the product and the hazards involved.
3. All wiring must be performed by a qualified electrician in accordance with national and local building and electrical codes.
4. This fixture must be suitably grounded for your protection against shock hazards and to assure proper operation.
5. Make sure that the power source conforms to the requirements of this fixture.

Specifications and design subject to change without notice.

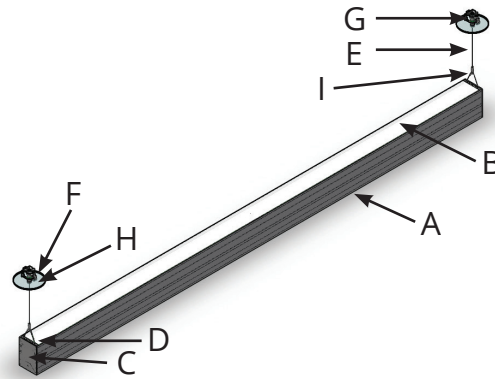
**PARTS LIST**

**MAIN PARTS LIST**

- |                        |                   |
|------------------------|-------------------|
| A. Luminaire Enclosure | F. Canopy         |
| B. Lens                | G. Hanger Bracket |
| C. End Cap             | H. Nut            |
| D. Cable w/Crimp       | I. AC GRIPLOK     |
| E. Aircraft Cable      |                   |

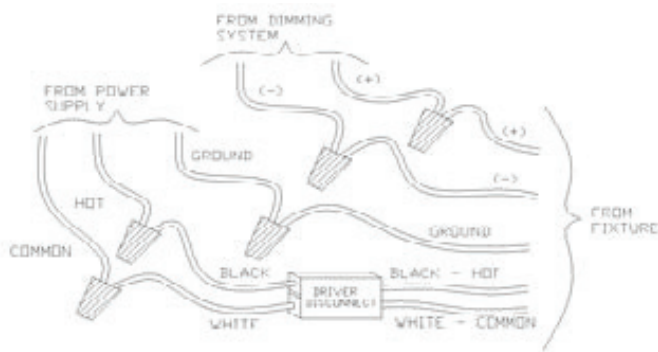
**OTHER PARTS**

- Reflector / LED Assembly
- Lamp (supplied or by others)

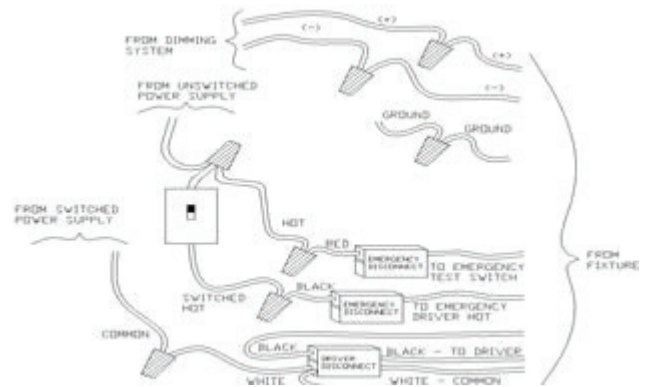


**WIRING DIAGRAMS**

**STANDARD WIRING**

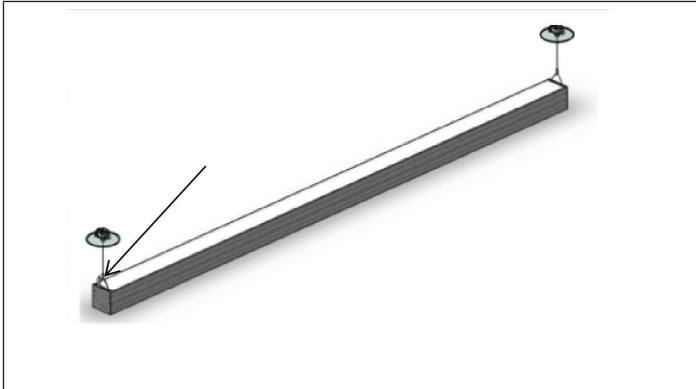


**WITH OPTIONAL EMERGENCY PACK**

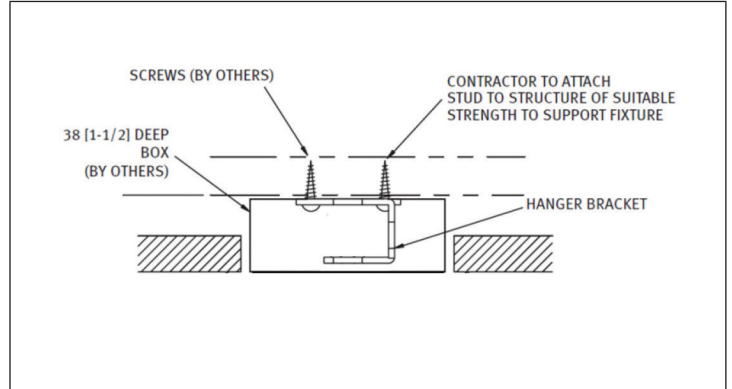


Specifications and design subject to change without notice.

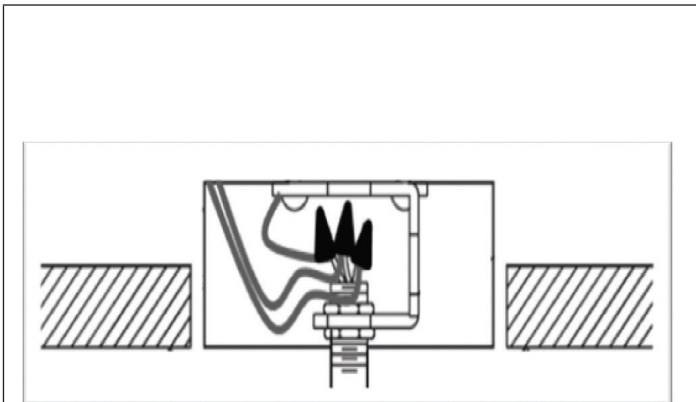
STEP-BY-STEP INSTRUCTIONS



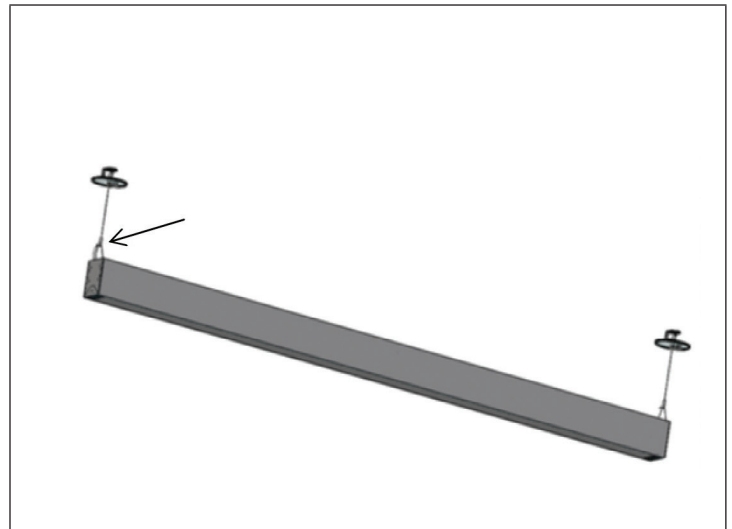
**STEP 1.** Remove fixture and hanger kit packaging; note power cord coming out at the top of the luminaire (one end only).



**STEP 2.** Attach both hanger brackets (G) to proper structure. One bracket needs to be attached inside electrical box with wires ready for electrical connections.



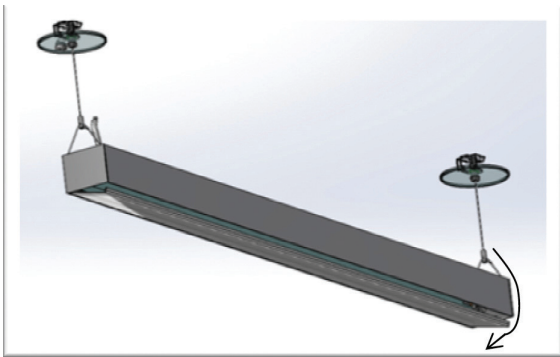
**STEP 3.** Perform electrical wiring. Optional emergency ballast must be fed from the same branch circuit as the AC ballast.



**STEP 4.** Assemble hanger kit from IS-0713A and attach (I) AC Griplok to (D) Cable w/ Crimp. Level out fixture using (I) AC Griplok.

Specifications and design subject to change without notice.

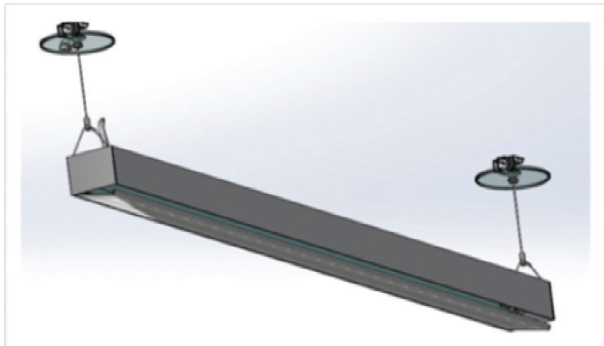
STEP-BY-STEP INSTRUCTIONS



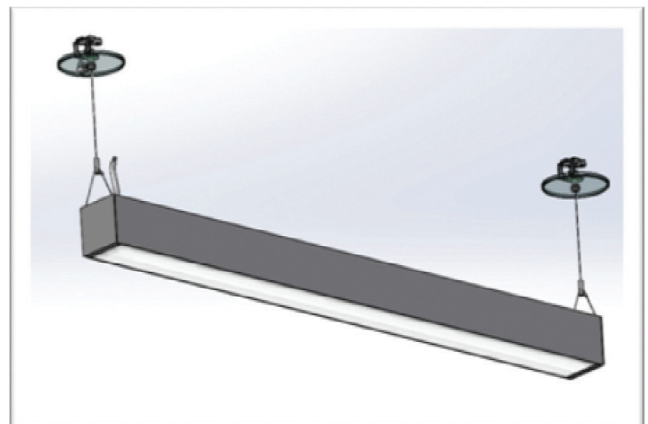
**STEP 5.** Remove lens (B) starting at one end. Pull one side first, rotate and detach. Keep lens. Follow same instructions for indirect lens.



**STEP 6.** Perform this step only to gain access to fixture ballast (From indirect side): Remove reflector mounting screws and reflector. Note fixtures with optional emergency pack have a test switch and indicator light mounted on the reflector.



**STEP 7.** Re-attach lens. Start with one side first and close the other side starting from the corner.



**STEP 8.** Installed Fixture.

Specifications and design subject to change without notice.