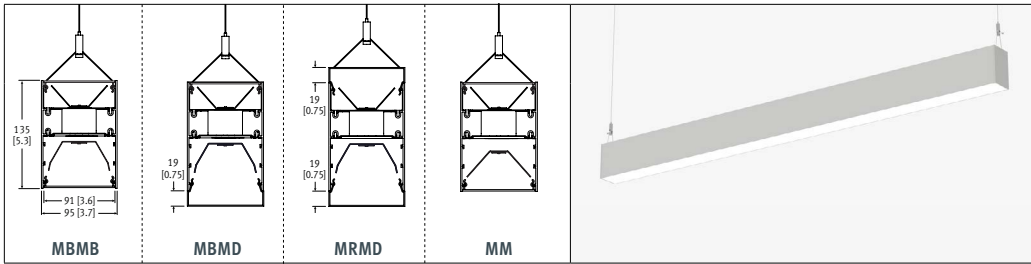


# Rail 4 RM4DI

LED . Pendant . Direct/Indirect



See p.2 for DLC Approved Products



CAT #:
PREP BY:
DATE:
PROJECT:
TYPE:
NOTES:

## ORDERING LOGIC

Example Part Number: RM4DI-1L35K-R-MBMB-W-L31-PA-1-D-90

RM4DI																																																																																					
Series	Color Temp	Length	Pattern	Optics	Finish	LL/Driver	Circuitry	Mounting	Voltage	Controls	Options																																																																										
<b>Color Temp</b>		<b>Optics</b>		<b>Light Level (LL) / Driver</b>			<b>Circuitry</b>		<b>Voltage</b>																																																																												
2L30K = 3000K	90 CRI is available under Options	MBMB = Up: Meta Blanc Down: Meta Blanc		<b>Performance at 3500K 0-10V Dimming (Standard) Integral drivers</b>			1 = 1 Circuit		1 = 120 V																																																																												
2L35K = 3500K		MBMD = Up: Meta Blanc Down: Drop Lens **		<table border="1"> <thead> <tr> <th>Optics</th> <th>Light Level</th> <th>Lumens Delivered</th> <th>Wattage</th> <th>Efficacy</th> </tr> </thead> <tbody> <tr> <td rowspan="4">MBMB</td> <td>L1</td> <td>2995</td> <td>28</td> <td>107</td> </tr> <tr> <td>L2</td> <td>3747</td> <td>35.4</td> <td>106</td> </tr> <tr> <td>L3</td> <td>5096</td> <td>48.3</td> <td>106</td> </tr> <tr> <td>L4</td> <td>9451</td> <td>99.8</td> <td>95</td> </tr> <tr> <td rowspan="4">MBMD</td> <td>L1</td> <td>3033</td> <td>28</td> <td>108</td> </tr> <tr> <td>L2</td> <td>3794</td> <td>35.4</td> <td>107</td> </tr> <tr> <td>L3</td> <td>5160</td> <td>48.3</td> <td>106</td> </tr> <tr> <td>L4</td> <td>9571</td> <td>99.8</td> <td>95</td> </tr> <tr> <td rowspan="4">MRMD</td> <td>L1</td> <td>3257</td> <td>27.6</td> <td>110</td> </tr> <tr> <td>L2</td> <td>3824</td> <td>35.23</td> <td>108</td> </tr> <tr> <td>L3</td> <td>5199</td> <td>48.3</td> <td>107</td> </tr> <tr> <td>L4</td> <td>9647</td> <td>96.6</td> <td>99</td> </tr> <tr> <td rowspan="4">MM</td> <td>L1</td> <td>3176</td> <td>28</td> <td>113</td> </tr> <tr> <td>L2</td> <td>3987</td> <td>35.4</td> <td>112</td> </tr> <tr> <td>L3</td> <td>5406</td> <td>48.3</td> <td>111</td> </tr> <tr> <td>L4</td> <td>10555</td> <td>96.6</td> <td>109</td> </tr> </tbody> </table>			Optics	Light Level	Lumens Delivered	Wattage	Efficacy	MBMB	L1	2995	28	107	L2	3747	35.4	106	L3	5096	48.3	106	L4	9451	99.8	95	MBMD	L1	3033	28	108	L2	3794	35.4	107	L3	5160	48.3	106	L4	9571	99.8	95	MRMD	L1	3257	27.6	110	L2	3824	35.23	108	L3	5199	48.3	107	L4	9647	96.6	99	MM	L1	3176	28	113	L2	3987	35.4	112	L3	5406	48.3	111	L4	10555	96.6	109	UD = Up / Down Switching		2 = 277 V			
Optics		Light Level	Lumens Delivered				Wattage	Efficacy																																																																													
MBMB		L1	2995	28	107																																																																																
	L2	3747	35.4	106																																																																																	
	L3	5096	48.3	106																																																																																	
	L4	9451	99.8	95																																																																																	
MBMD	L1	3033	28	108																																																																																	
	L2	3794	35.4	107																																																																																	
	L3	5160	48.3	106																																																																																	
	L4	9571	99.8	95																																																																																	
MRMD	L1	3257	27.6	110																																																																																	
	L2	3824	35.23	108																																																																																	
	L3	5199	48.3	107																																																																																	
	L4	9647	96.6	99																																																																																	
MM	L1	3176	28	113																																																																																	
	L2	3987	35.4	112																																																																																	
	L3	5406	48.3	111																																																																																	
	L4	10555	96.6	109																																																																																	
2L40K = 4000K	MRMD = Up: Rise Lens Down: Drop Lens		B = Battery Pack		3 = 347 V																																																																																
2LTUN = 2-White Tunable (2700 - 6500K)	MM = Up: Meta Ice Down: Meta Ice		4 = UNV (120-277V)																																																																																		
<b>Length</b>		<b>Pattern</b>		<b>Finish</b>			<b>Mounting</b>		<i>For other voltage, consult factory</i>																																																																												
2 = 2 ft	8 = 8 ft	G = Square / Rectangle		SA = Satin Aluminum			PA = Pendant Aircraft Cable		<b>Controls</b>																																																																												
3 = 3 ft	9 = 9 ft	U = U-Shape		W = White			PT = Pendant Aircraft Cable for T-Bar		- = None (leave space empty)																																																																												
4 = 4 ft	10 = 10 ft	L = L-Shape		B = Black			<i>Select CABLE LENGTH and HANGER FINISH on p.2</i>		D = Daylight Sensor																																																																												
5 = 5 ft	11 = 11 ft	C = Custom Pattern*		C = Custom Finish Specify RAL#:					O = Occupancy Sensor																																																																												
6 = 6 ft	12 = 12 ft	Enter pattern dimensions on p.2							DO = Daylight/ Occupancy Sensors																																																																												
7 = 7 ft									<b>Options</b>																																																																												
R = Continuous Rows (See p.4)									90 = 90 CRI																																																																												
C = Custom Length (Consult factory)									- = None (leave space empty)																																																																												
_ = None (leave space empty)																																																																																					

\* Consult factory for custom patterns, including T and X shapes. | \*\* Drop lens is not available with patterns. | † Metalumen's light level performance metrics are subject to manufacturers component tolerances.

## SPECIFICATIONS

Due to the Continuous Improvement Policy at Metalumen, we reserve the right to change our specifications without notice.

**Housing:** Rigid extruded aluminum body, 2.0mm (0.08") nominal wall thickness. Steel formed end caps.

**Optical System:** Metalumen luminaires are designed to utilize leading edge LED technology combined with luminaire optimized reflectors and our custom diffusers, resulting in industry leading optical performance.

**CRI:** 83+ for 3500K, 80 minimum for all CCTs in standard configurations.

**Lumen Maintenance:** Minimum 50,000h with TM-21 lumen maintenance of 85% @ 25°C ambient temperature (calculated based on IESNA LM-80-08 LED test data). L70: ≥ 60 000hrs.

**Finish:** Satin aluminum, white and black are standard finishes. For custom finish, contact factory.

**Mounting:** Aircraft cable yoke complete with a Quick-Grip field adjustable suspension system provides for quick and

easy onsite alignment.

**Electrical:** Factory prewired with easy wire quick connect sections.

**Drivers:** Metalumen offers dimming drivers as a standard on our entire LED product offering at 0-10V. Dimming range is 10%-100%. Power factor is > 90%. Class 2 rating. Drivers are integral.

**Controls:** Refer to Ordering Logic chart above.

**Lutron Driver Options:** Consult factory for

Lutron LED driver options:

**LHE** H-Series Hi-lume 1% EcoSystem

**LA2** A-Series Hi-lume 1% 2-wire

**LSE** 5-Series EcoSystem 5-Series

**Approvals:** Certified to NRTL and IES testing standards. This product is cULus listed. RoHS compliant.

**Environment:** Suitable for dry or damp locations.

APPROVALS Signature \_\_\_\_\_

Date \_\_\_\_\_

FILE NAME: RM4DI\_LED\_PA\_PT\_SPEC\_SHEET\_20190718

570 Southgate Drive, Guelph, Ontario N1G 4P6  
Mailing Address: P.O. Box 1779 Guelph, Ontario, N1H 6Z9

1.800.621.6785 | T 519.822.4381 | F 519.822.4589  
www.metalumen.com


Metalumen

# Rail 4 RM4DI LED . Pendant . Direct/Indirect

## WARRANTY

Metalumen will warrant defective luminaires for 5 years from date of purchase. Warranty is valid if luminaire is installed and used according to specification. If defective, Metalumen will send replacement boards or drivers at no cost along with detailed replacement instructions and instructions on how to return defective components to Metalumen.

## FEATURES

 **COMMERCIAL // Commercial Lighting** - With over 30 years of successful architectural lighting, providing unique concept and installation solutions has become second nature. Metalumen's Start to End Development Process results in unique performance, design and architectural requirements from

concept through implementation. Metalumen's Lighting Solutions have been applied to customer projects requiring: high profile architectural installations; improved energy efficiency; retrofit installations; unique installations. Metalumen can provide top-quality innovative fixtures when and where they are needed and, at

the same time, allow the customer to determine their level of involvement in Metalumen's Start to End Development Process.




**MEDILUMEN // Healthcare Lighting** - Every product in our broad line of healthcare


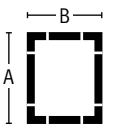
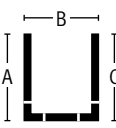
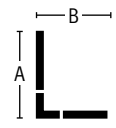
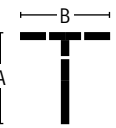
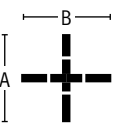
luminaires has been strategically engineered to meet modern healthcare demands while addressing patient needs and aesthetic requirements.



**DAMP** Suitable for dry or damp locations.

	<b>DLC Approved RM4DI Products</b>	RM4DI-2L35K-4-MM-xx-L1X-X-XX-[34]-X	RM4DI-2L35K-8-MM-xx-L1X-X-XX-[34]-X	For more Metalumen DLC Approved Products, visit the <a href="#">DLC Website</a>
		RM4DI-2L35K-4-MM-xx-L2X-X-XX-[34]-X	RM4DI-2L35K-8-MM-xx-L2X-X-XX-[34]-X	
		RM4DI-2L35K-4-MM-xx-L3X-X-XX-[34]-X	RM4DI-2L35K-8-MM-xx-L3X-X-XX-[34]-X	
		RM4DI-2L40K-4-MM-xx-L1X-X-XX-[34]-X	RM4DI-2L40K-8-MM-xx-L1X-X-XX-[34]-X	
		RM4DI-2L40K-4-MM-xx-L2X-X-XX-[34]-X	RM4DI-2L40K-8-MM-xx-L2X-X-XX-[34]-X	
		RM4DI-2L40K-4-MM-xx-L3X-X-XX-[34]-X	RM4DI-2L40K-8-MM-xx-L3X-X-XX-[34]-X	

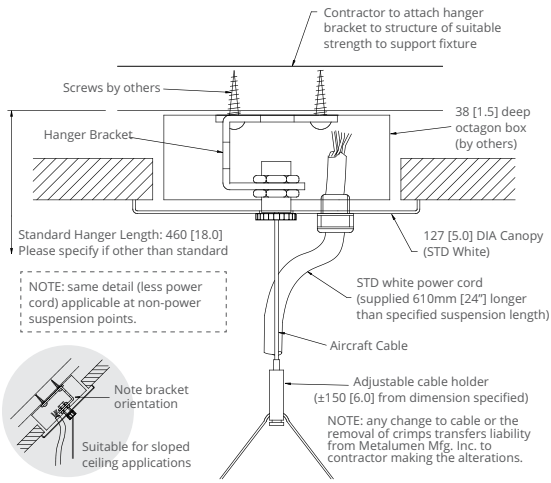
## PATTERNS

Select: Grid Pattern	Square (G)	Rectangle (G)	U-Shape (U)	L-Shape (L)	T-Shape (C)	X / Cross (C)
Grid Pattern Configuration						
Indicate Desired Lengths (ft)	A =	A = B =	A =      B = C =	A = B =	Consult Factory	
Minimum Lengths	4' for all sides		A = 3', B = 4', C = 3'	A = 3', B = 3'	A = 3', B = 6'	A = 6', B = 6'

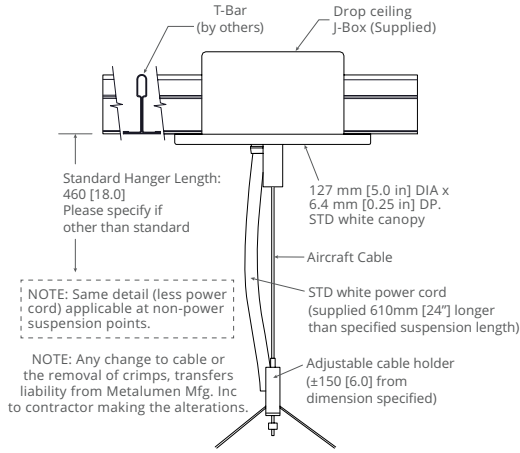
Record drawings will be sent out upon order showing mounting locations.

## HANGERS

### Aircraft Cable & Cord



### T-Bar Aircraft Cable & Cord



### Select Aircraft Cable Length, Canopy Finish and Power Cord Color:

AIRCRAFT CABLE		
Total adjustment range is 6" up & down for each standard length.		
All other lengths are considered custom unless otherwise stated.		
	IMPERIAL (in)	METRIC (mm)
<input type="checkbox"/>	12	305
<input type="checkbox"/>	18	460
<input type="checkbox"/>	24	610
<input type="checkbox"/>	30	760
<input type="checkbox"/>	36	915
<input type="checkbox"/>	42	1067
<input type="checkbox"/>	48	1220
<input type="checkbox"/>	54	1372
<input type="checkbox"/>	60	1525
<input type="checkbox"/>	72	1830
<input type="checkbox"/>	96	2440
<input type="checkbox"/>	120	3050
<input type="checkbox"/>	144	3660
<input type="checkbox"/>	Custom length:	

CANOPY FINISH	
<input type="checkbox"/> White	<input type="checkbox"/> Black
<input type="checkbox"/> Custom Finish Specify RAL#: _____	

POWER CORD COLOR	
<input type="checkbox"/> White	<input type="checkbox"/> Black (Consult factory)

## WIRING

<b>STANDARD WIRING</b>	<ul style="list-style-type: none"> <li>BLACK - LINE</li> <li>WHITE - NEUTRAL</li> <li>GREEN - GROUND</li> <li>RED - CAPPED/SW LEAD</li> <li>VIOLET - DIM(+)</li> <li>GREY - DIM(-)</li> </ul>
<b>EMERGENCY WIRING</b>	<ul style="list-style-type: none"> <li>BLACK - LINE</li> <li>WHITE - NEUTRAL</li> <li>GREEN - GROUND</li> <li>RED - CAP OFF/SW LEAD</li> </ul>
<b>BATTERY PACK WIRING</b>	<ul style="list-style-type: none"> <li>BLACK - LINE</li> <li>WHITE - NEUTRAL</li> <li>GREEN - GROUND</li> <li>RED - UNSWITCHED HOT</li> </ul>

**MOUNTING - CONTINUOUS ROWS**

Step 1) Indicate desired quantity of rows under the QTY column

Step 2)  ← Pods →  If applicable, select pod(s) per row to indicate desired Emergency/Night Light/Battery location. If a similar row requires a different Emergency lighting location, please fill out another sheet.

Record drawings for rows not represented here will be sent out upon order.

QTY	Nominal Length	Run Length Overall	Alone / Start Length	Mid Length(s)	End Length
	4'	1225 [48.2]	4		1213 [47.8]
	8'	2442 [96.1]	8		2430 [95.7]
	12'	3661 [144.1]	12		3650 [143.7]
	16'	4881 [192.2]	8	8	2430 [95.7] 2438 [96.0]
	20'	6100 [240.2]	12	8	3650 [143.7] 2438 [96.0]
	24'	7319 [288.1]	12	12	3650 [143.7] 3658 [144.0]
	28'	8538 [336.1]	8	12 8	2430 [95.7] 3658 [144.0] 2438 [96.0]
	32'	9757 [384.1]	12	8 12	3650 [143.7] 2438 [96.0] 3658 [144.0]
	36'	10977 [432.2]	12	12 12	3650 [143.7] 3658 [144.0] 3658 [144.0]
	40'	12196 [480.2]	12	8, 8 12	3650 [143.7] 2438 [96.0] 2438 [96.0] 3658 [144.0]
	44'	13415 [528.1]	12	12, 8 12	3650 [143.7] 3658 [144.0] 2438 [96.0] 3658 [144.0]
	48'	14634 [576.1]	12	12, 12 12	3650 [143.7] 3658 [144.0] 3658 [144.0] 3658 [144.0]

**ROWS IN PLAN VIEW**

Rows are for demonstration purposes only and are not to scale.

**LEGEND**

- Standard Wire Entry Location  
(located 52mm from end on top of fixture)
- Emergency (EM) / Night Light Location
- EM or Battery Wire Entry Location  
(located 52mm from end on top of fixture)

Mounting Points

A                      A

A = Distance Between Mounting Points

EM / Night Light and EM or Battery Wire Entry location in relation to pod selections:

Example 20 ft run

Refer to page 3 for Hanger information

FILE NAME: RM4DI\_LED\_PA\_PT\_SPEC\_SHEET\_20190718

570 Southgate Drive, Guelph, Ontario N1G 4P6  
Mailing Address: P.O. Box 1779 Guelph, Ontario, N1H 6Z9

1.800.621.6785 | T 519.822.4381 | F 519.822.4589  
www.metalumen.com

Metalumen

SPECIFICATION SHEET | PAGE 4



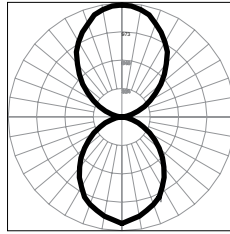
**PHOTOMETRIC DATA - 3500K - L3**

Optics Up: Meta Ice  
 Optics Down: Meta Ice  
 File Name: RM4DI-2L35K-4-MM-L3  
 Luminaire Lumens: 5406  
 Total Watts: 48.3  
 Efficacy: 111 lm/W

**COEFFICIENTS OF UTILIZATION**  
 Zonal Cavity Method | Effective Floor Cavity Reflectance = .20

RC	80			70			50				
	RW	70	50	30	10	70	50	30	10		
0	107	107	107	107	98	98	98	98	82	82	82
1	98	94	90	87	90	87	83	80	73	71	69
2	89	82	76	71	82	76	71	67	64	61	57
3	82	73	66	60	75	67	61	56	57	53	49
4	75	65	57	51	69	60	53	48	51	46	42
5	69	58	50	44	63	54	47	41	46	40	36
6	64	52	44	38	59	48	41	36	41	36	32
7	59	47	39	34	54	44	37	32	38	32	28
8	55	43	35	30	50	40	33	28	34	29	25
9	51	39	32	27	47	36	30	25	32	26	23
10	48	36	29	24	44	34	27	23	29	24	20

**PHOTOMETRIC CURVE**



**LUMINANCE DATA (cd/M²)**

Vertical Angle	Horizontal Angle		
	0	45	90
45	7113	3590	2830
55	5881	2452	1850
65	4429	1503	1098
75	2915	715	502
85	1038	152	110

**CANDELA DISTRIBUTION**

Vertical Angle	Horizontal Angle				
	0	22.5	45	67.5	90
0	1215	1215	1215	1215	1215
10	1150	1161	1160	1159	1134
20	1063	1053	1053	1039	1032
30	921	923	906	871	866
40	747	734	707	676	670
50	557	542	512	488	471
60	368	359	331	304	294
70	200	191	170	157	153
80	69	66	58	54	51
90	4	3	3	3	3
100	61	57	53	46	44
110	196	189	180	167	163
120	375	373	350	332	330
130	583	573	554	528	513
140	790	790	765	749	739
150	985	987	969	958	949
160	1130	1121	1116	1112	1105
170	1242	1231	1231	1251	1225
180	1276	1276	1276	1276	1276

**ZONAL LUMEN SUMMARY**

Zone	Lumens	%Fixt
0-20	423	7.8
0-30	874	16.1
0-40	1378	25.4
0-60	2227	41.1
0-80	2595	47.9
<b>0-90</b>	<b>2624</b>	<b>48.5</b>
10-90	2511	46.4
20-40	955	17.6
20-50	1428	26.4
40-70	1097	20.3
60-80	368	6.8
70-80	120	2.2
80-90	29	0.5
90-110	141	2.6
90-120	402	7.4
90-130	803	14.8
90-150	1855	34.3
<b>90-180</b>	<b>2792</b>	<b>51.5</b>
110-180	2651	48.9
0-180	5415	100