

IS-0263-01 rev.00

## GRANDE OUTDOOR WALL INSTALLATION INSTRUCTIONS

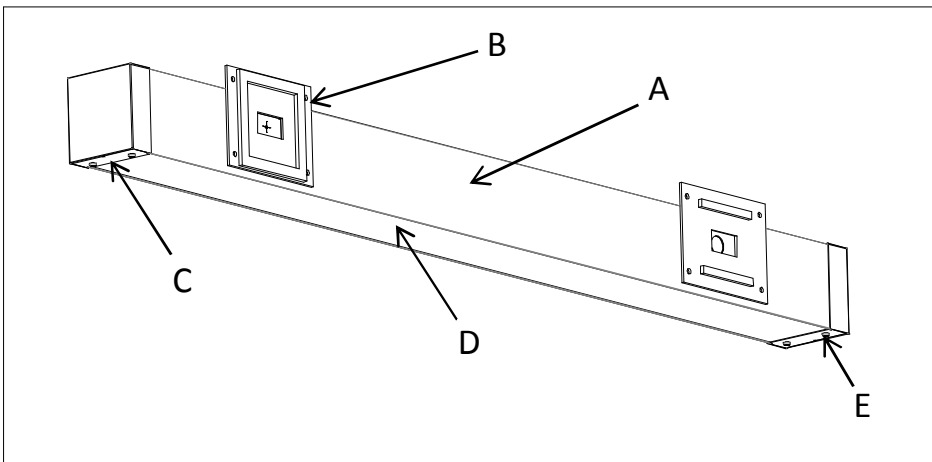
**NOTE:** The following instructions provide general guidelines for product installation. For additional information consult the applicable electrical codes or contact factory directly for support before attempting anything with uncertainty.

**CAUTION:** Do not assemble fixture runs on floor.

**WARNING:** Risk of fire and electrical shock. **DISCONNECT POWER AT ELECTRICAL PANEL** before installing or servicing this product.

### General Safety Instructions:

1. Read all instructions prior to installing this fixture.
2. This product must be installed in accordance with the applicable installation code by a person familiar with the construction and operation of the product and the hazards involved.
3. All wiring must be performed by a qualified electrician in accordance with national and local building and electrical codes.
4. This fixture must be suitably grounded for your protection against shock hazards and to assure proper operation.
5. Make sure that the power source conforms to the requirements of this fixture.



### MAIN PARTS LIST:

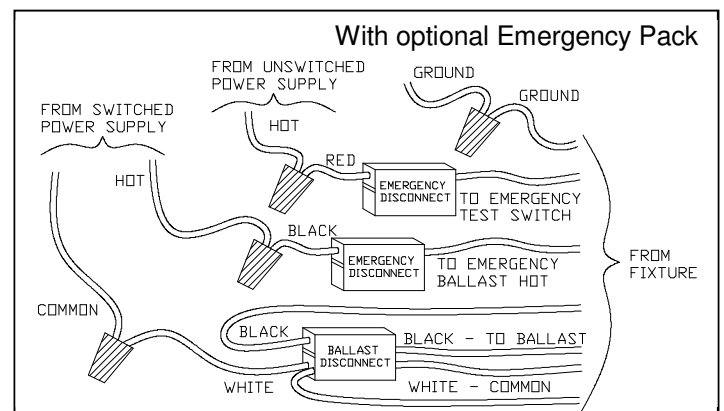
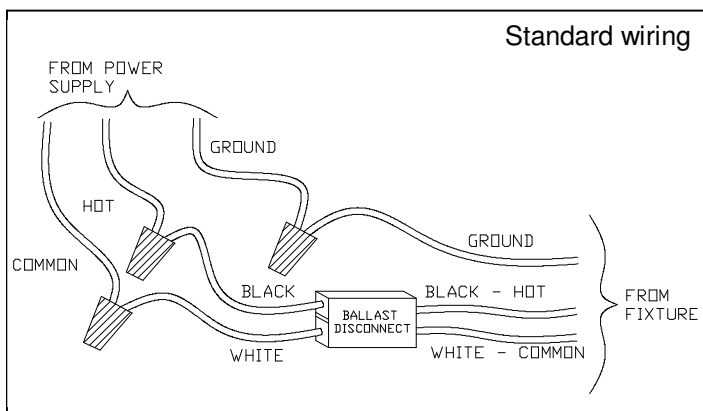
- A. Luminaire enclosure
- B. Wall mounting plate
- C. End plate
- D. Lens
- E. End screw

### OTHER PARTS:

- Reflector
- Lamp (supplied or by others)
- Electrical box (by others)
- Fasteners (by others)

**Important note:** See wire entry and mounting location diagram at page 4 of this document.

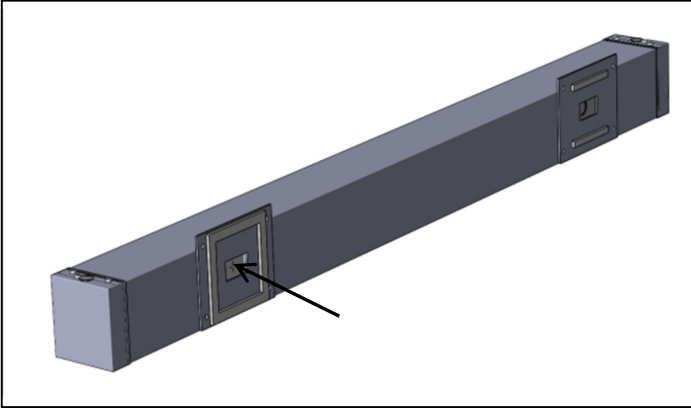
### Wiring Diagram:



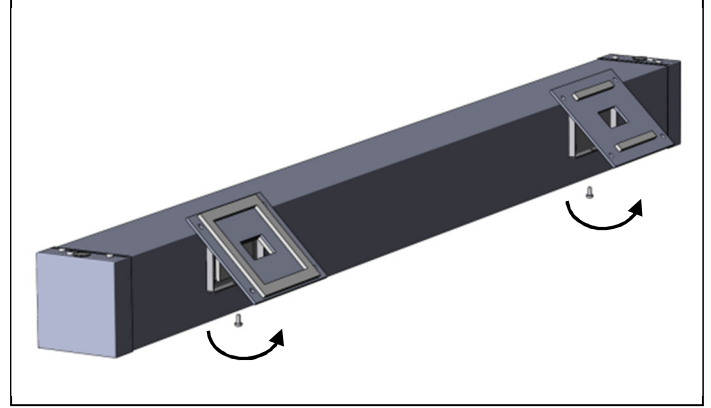
IS-0263-01 rev.00

## GRANDE OUTDOOR WALL INSTALLATION INSTRUCTIONS

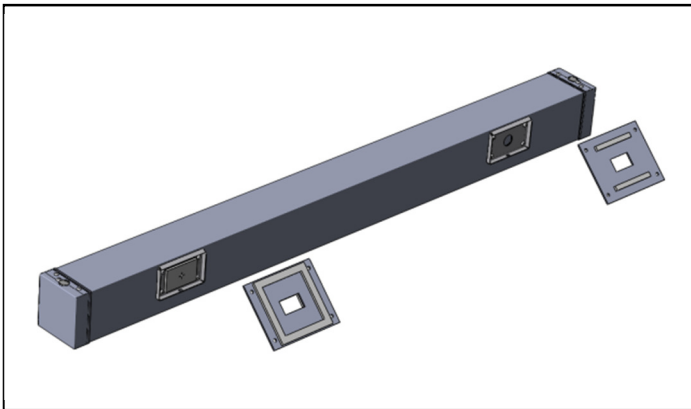
### Step-by-step Instructions:



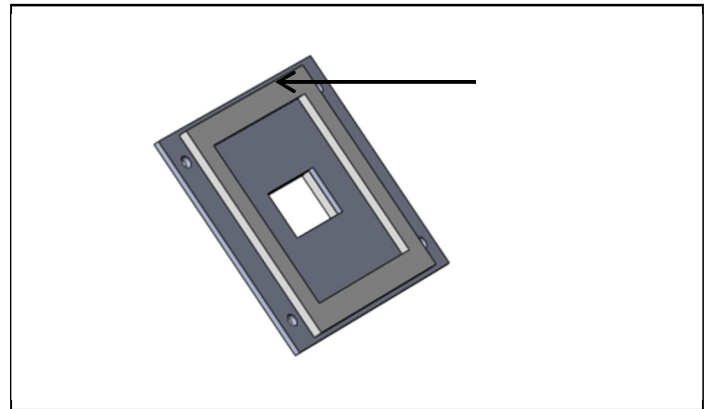
Step 1: Remove fixture packaging; note marked supply wires coming out at the back of the luminaire.



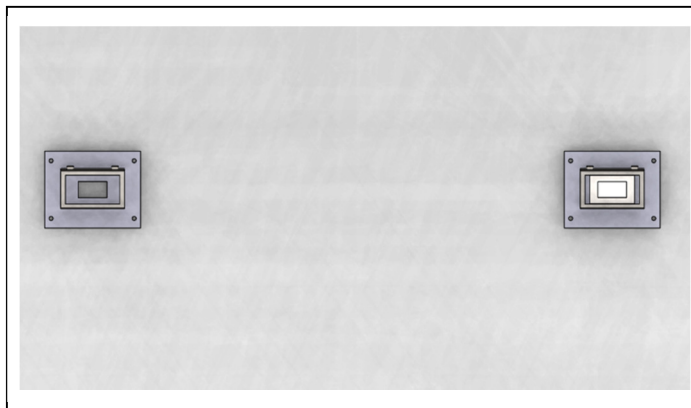
Step 2: Remove (1) mounting screw from each of the (2) wall brackets. Swing out wall mounting plates (B).



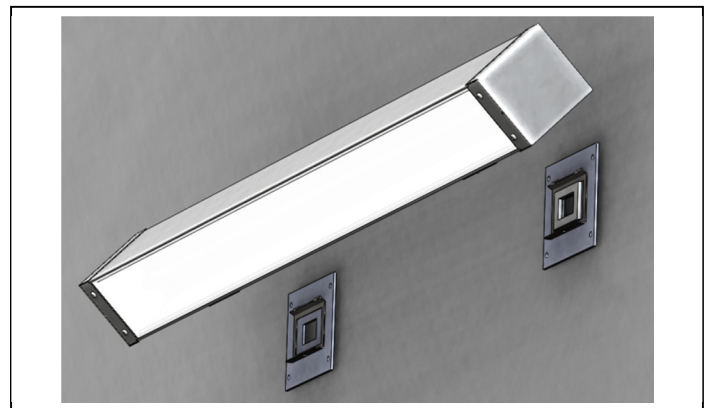
Step 3: Detach plates from luminaire enclosure (A). Note wall mounting plate on wire entry side is fully gasketed. Use mounting plate and mounting location diagram to mark location of mounting fasteners (by others).



Step 4: For the wire entry side only: if mounting surface is uneven, apply silicone caulking on the perimeter of wall gasket to ensure proper water tightness around wire entry and electrical box.

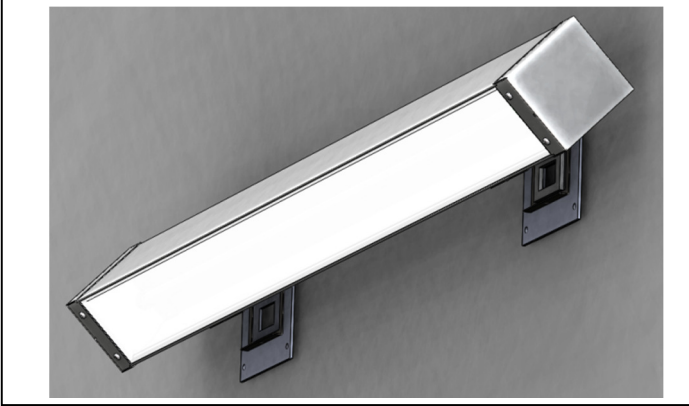


Step 5: Install both wall mounting plates. Use (4) fasteners for each plate. Make sure the plate on wire entry side completely seals the electrical box and the two plates are installed at the same horizontal level.

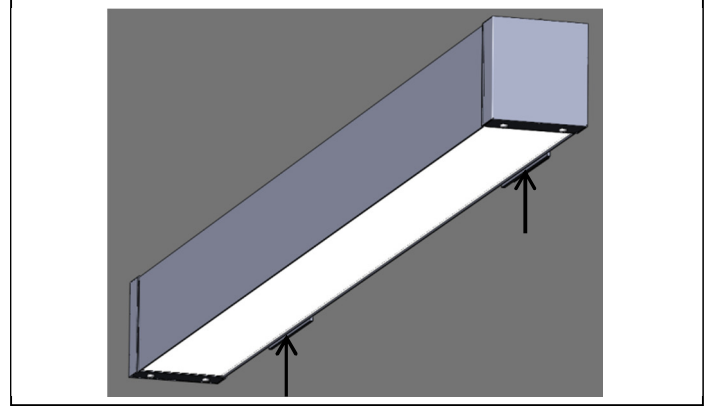


Step 6: Attach luminaire to wall plates.

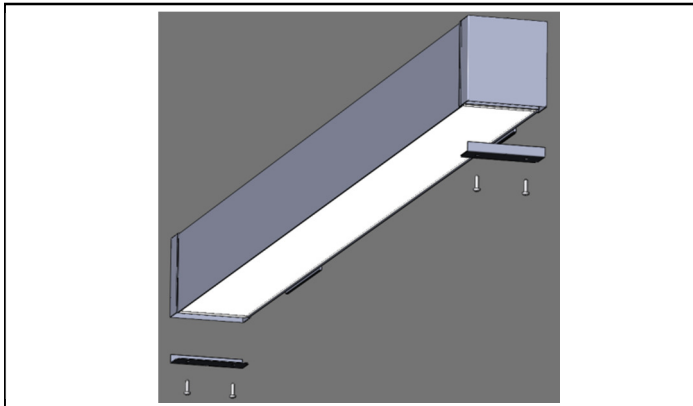
IS-0263-01 rev.00

**GRANDE OUTDOOR WALL  
 INSTALLATION INSTRUCTIONS**
**Step-by-step Instructions:**


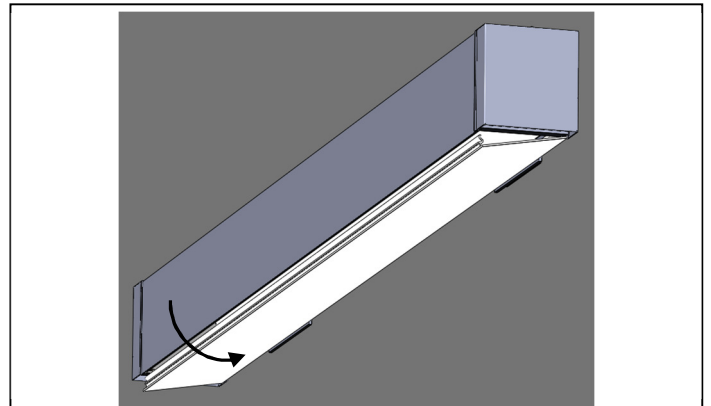
**Step 7:** With the luminaire attached to the wall plates and rotated about 45 degrees, perform electrical wiring. Optional emergency ballast must be fed from the same branch circuit as the AC ballast.



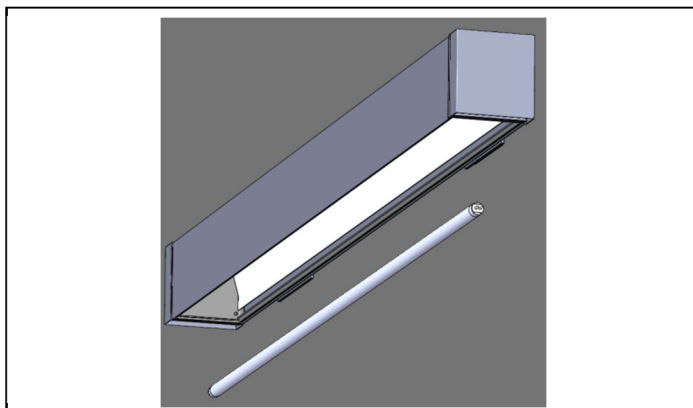
**Step 8:** Complete luminaire attachment and secure it in place by re-attaching (2) wall bracket mounting screws. Make sure supply wires are not pinched while performing this step



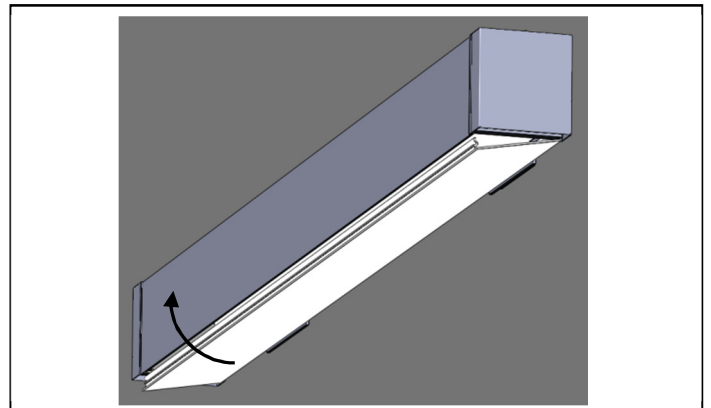
**Step 9:** Remove end screws (E) and end plates (C). Keep all parts.



**Step 10:** Remove lens (D) starting at one end. Pull one side first, rotate and detach. Keep lens.



**Step 11:** Reflector can be removed now only if access to ballast is required. Note fixtures with optional emergency pack have a test switch and indicator light mounted on the reflector. Re-attach reflector (if applicable). Install lamp(s).

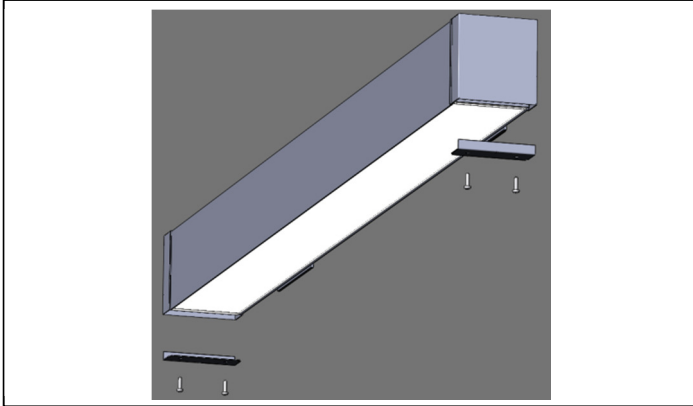


**Step 12:** Re-attach lens. Start with one side first and close the other side starting from the corner. Make sure lens gaskets are in place and compressed between lens and fixture housing.

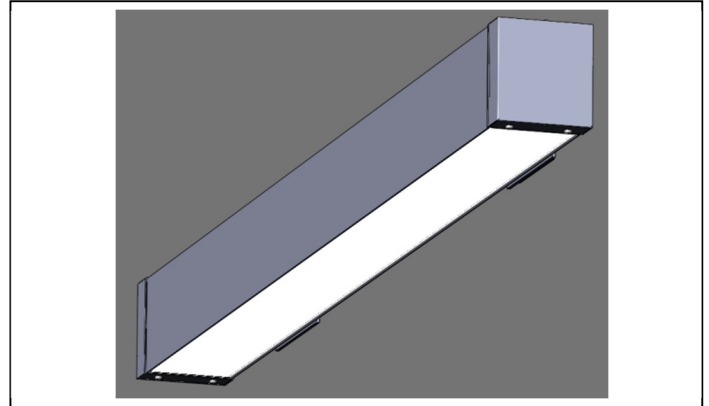
IS-0263-01 rev.00

**GRANDE OUTDOOR WALL  
INSTALLATION INSTRUCTIONS**

**Step-by-step Instructions:**

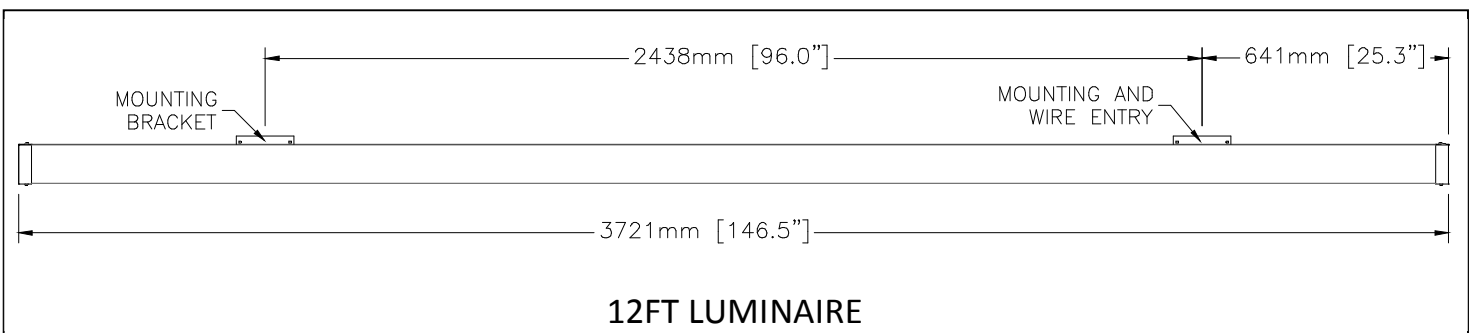
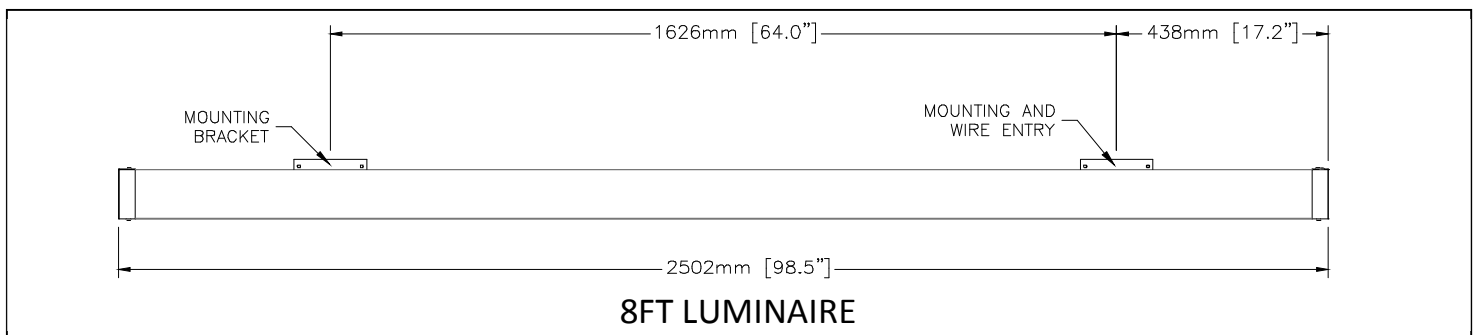
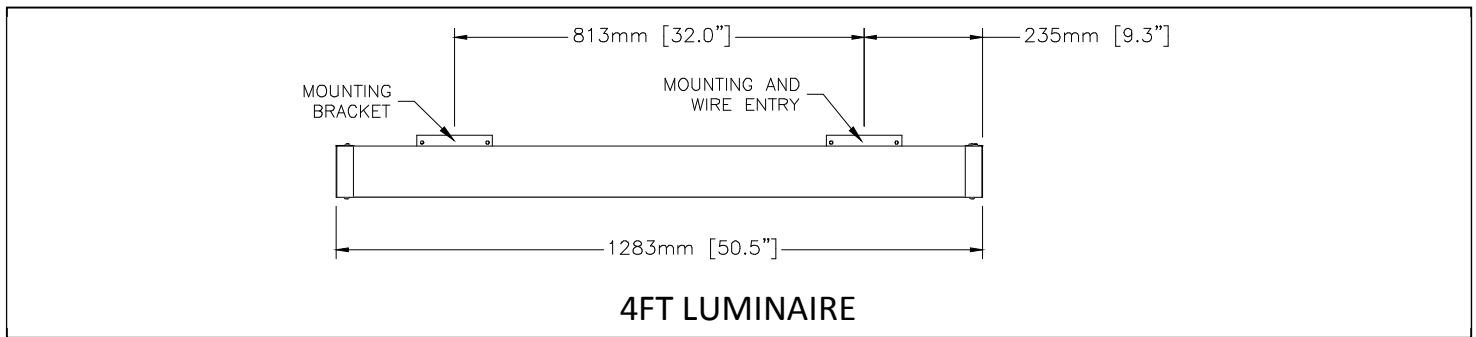


Step 13: Re-attach end plates with (4) end screws.



Installed fixture.

**Wire entry and mounting location Diagram:**



IS-0263-02 rev.00

**GRANDE OUTDOOR WALL  
LUMINAIRE JOINING INSTRUCTIONS**

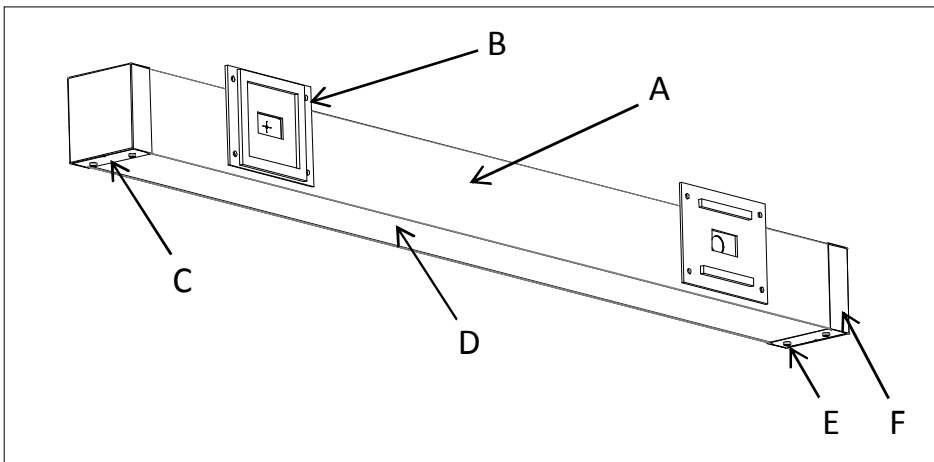
**NOTE:** The following instructions provide general guidelines for product installation. For additional information consult the applicable electrical codes or contact factory directly for support before attempting anything with uncertainty.

**CAUTION:** Do not assemble fixture runs on floor.

**WARNING:** Risk of fire and electrical shock. **DISCONNECT POWER AT ELECTRICAL PANEL** before installing or servicing this product.

**General Safety Instructions:**

1. Read all instructions prior to installing this fixture.
2. This product must be installed in accordance with the applicable installation code by a person familiar with the construction and operation of the product and the hazards involved.
3. All wiring must be performed by a qualified electrician in accordance with national and local building and electrical codes.
4. This fixture must be suitably grounded for your protection against shock hazards and to assure proper operation.
5. Make sure that the power source conforms to the requirements of this fixture.



**MAIN PARTS LIST:**

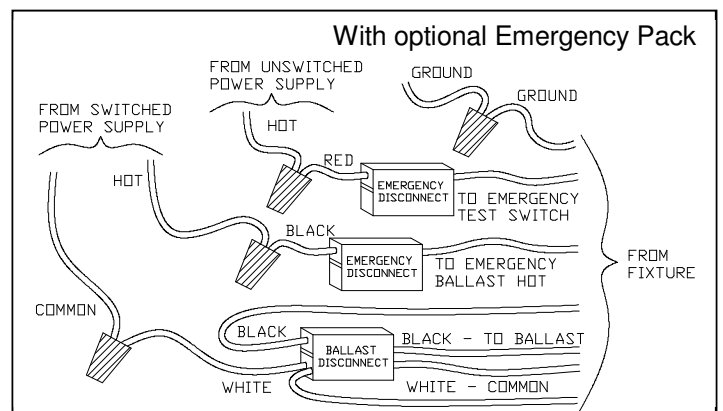
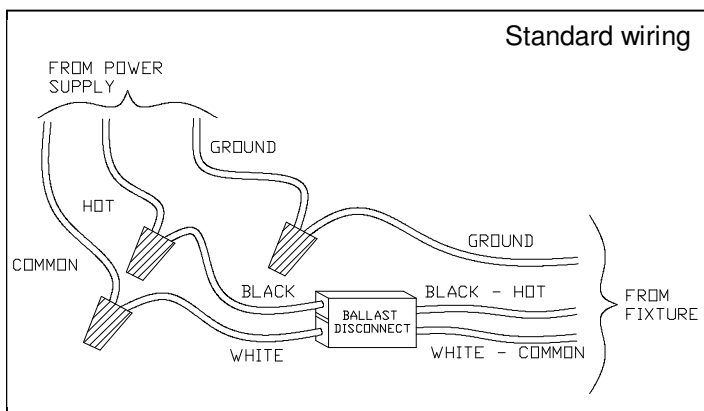
- A. Luminaire enclosure
- B. Wall mounting plate
- C. End plate
- D. Lens
- E. End screw
- F. Joiner plate (Middle and Start units only)

**OTHER PARTS:**

- Reflector
- Lamp (supplied or by others)
- Electrical box (by others)
- Fasteners (by others)

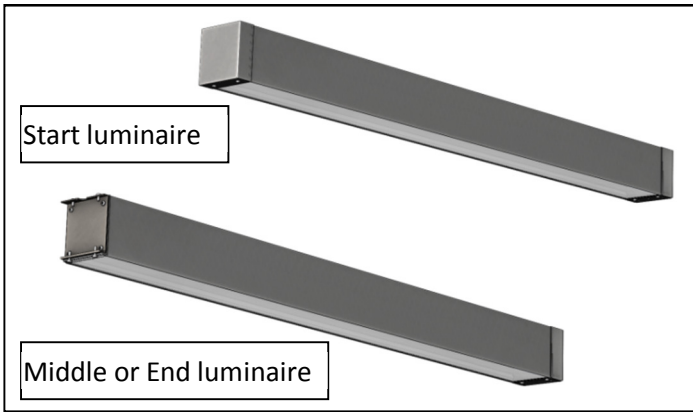
**Important note:** See wire entry and mounting brackets location diagram at pages 4 and 5 of this document.

**Wiring Diagram:**

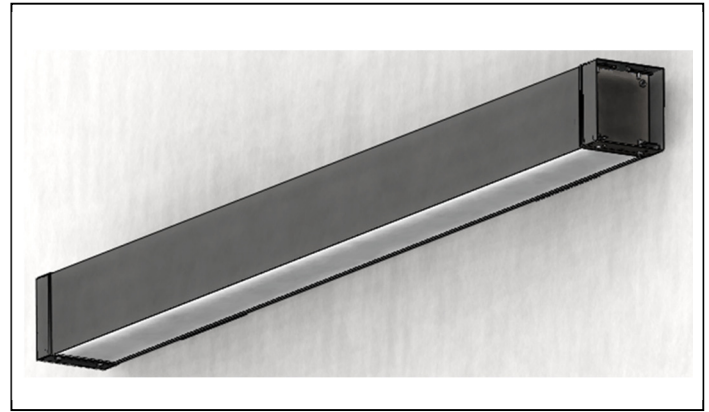


IS-0263-02 rev.00  
**GRANDE OUTDOOR WALL**  
LUMINAIRE JOINING INSTRUCTIONS

**Step-by-step Instructions:**



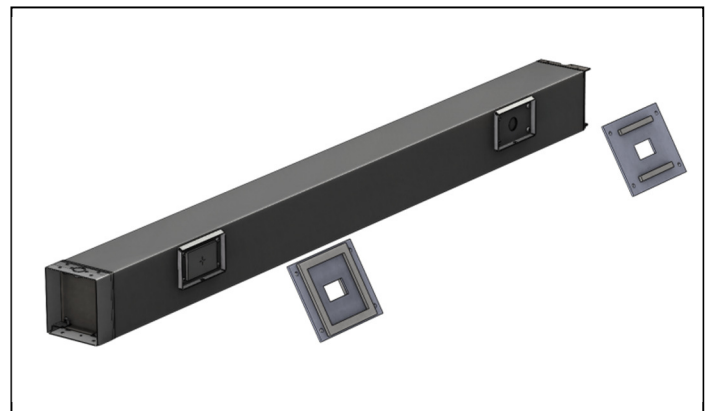
Step 1: Remove fixture packaging; note marked supply wires coming out at the back of the luminaire.



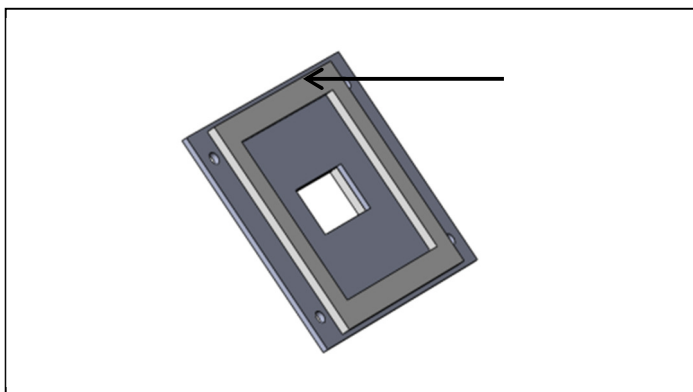
Step 2: Install Start luminaire following standard installation instructions. Do not apply power to the fixture.



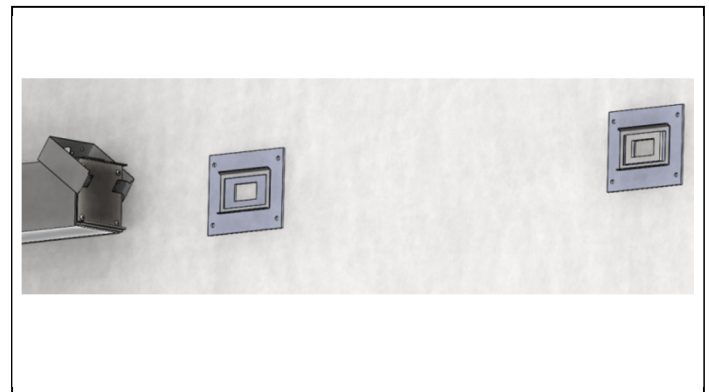
Step 3: At the joiner end of the Start fixture: remove end screws (E), lift joiner plate (F) and retain it on the top of the fixture. Also remove all end screws from the next fixture to be installed in the row (Middle or End luminaire) at the joining end only. Keep all parts.



Step 4: Remove (1) mounting screw from each of the (2) wall brackets on the Middle or End luminaire. Swing out wall mounting plates (B) and detach from luminaire. Keep all parts.



Step 5: Use mounting plate and mounting location diagram to mark location of mounting fasteners (by others). For the wire entry side only: if mounting surface is uneven, apply silicone caulking on the perimeter of wall gasket to ensure proper water tightness around wire entry and electrical box.

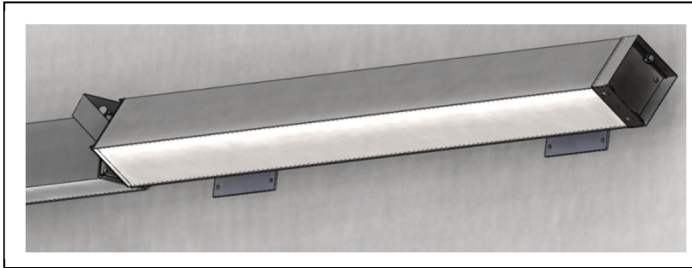


Step 6: Install both wall mounting plates. Use (4) fasteners for each plate. Make sure the plate on wire entry side completely seals the electrical box and the two plates are installed at the same horizontal level with the Start fixture mounting plates.

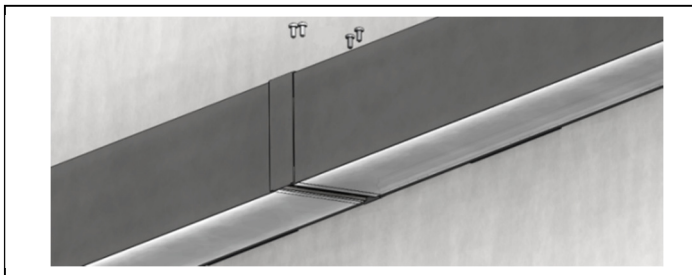
IS-0263-02 rev.00

**GRANDE OUTDOOR WALL  
LUMINAIRE JOINING INSTRUCTIONS**

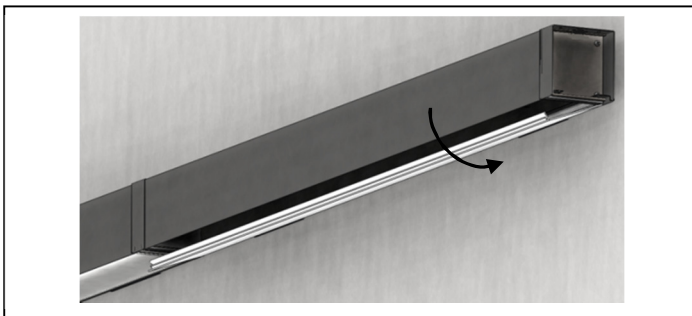
**Step-by-step Instructions:**



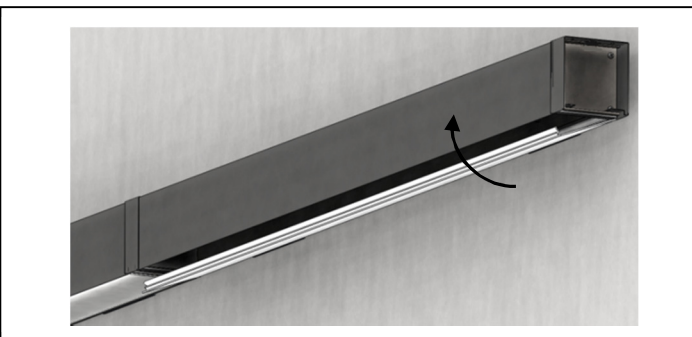
Step 7: Attach Middle or End luminaire to wall plates. With luminaire attached to the wall plates and rotated about 45 degrees, perform electrical wiring. Optional emergency ballast must be fed from the same branch circuit as the AC ballast.



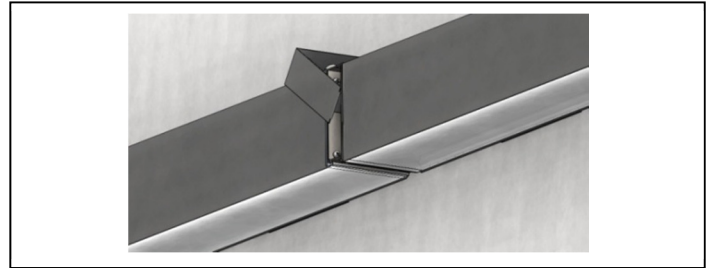
Step 9: Re-position joiner piece in place and attach it to both luminaires with (4) screws.



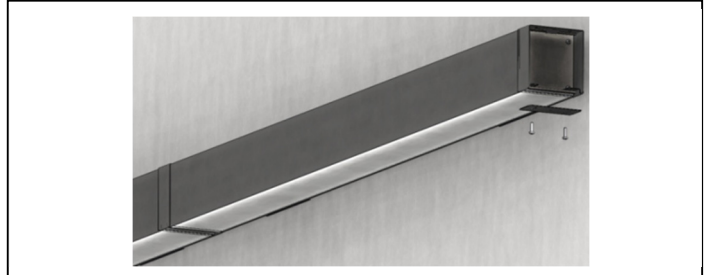
Step 11: Remove lens (D) starting at one end. Pull one side first, rotate and detach. Keep lens.



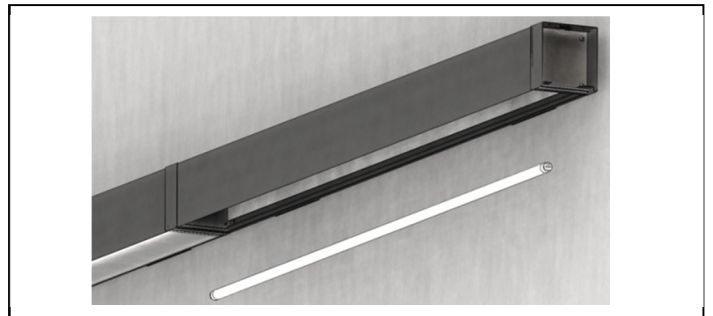
Step 13: Re-attach lens. Start with one side first and close the other side starting from the corner. Make sure lens gaskets are in place and compressed between lens and fixture housing.



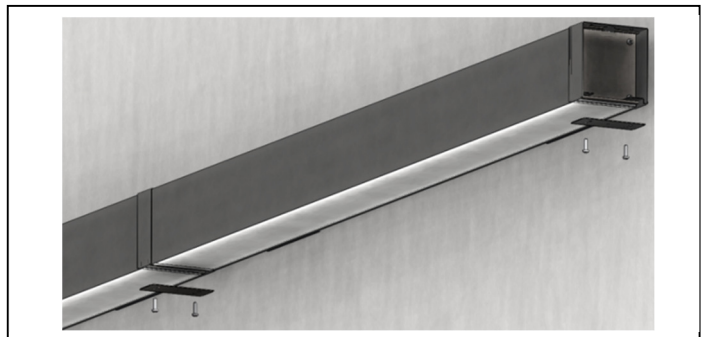
Step 8: Complete luminaire attachment to wall plates and secure it in place by re-attaching (2) wall bracket mounting screws. Make sure supply wires are not pinched while performing this step.



Step 10 Remove end screws (E) and end plates (C) from the Middle or End luminaire. Keep all parts.



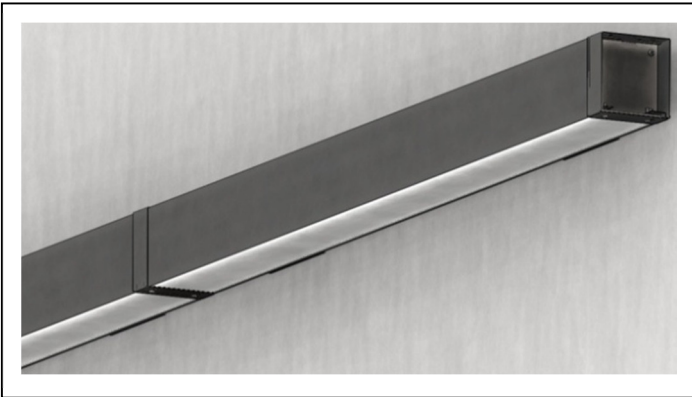
Step 12: Install lamp(s).



Step 14: Re-attach end plates at both ends with (4) end screws.

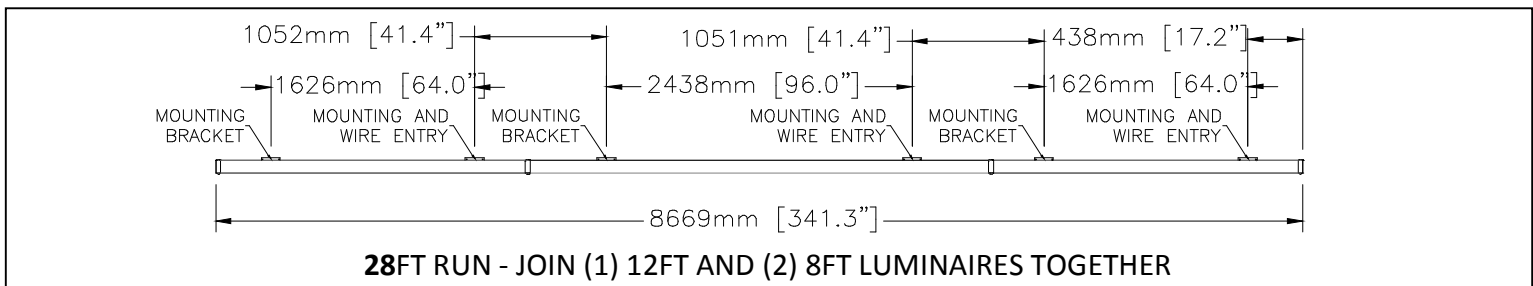
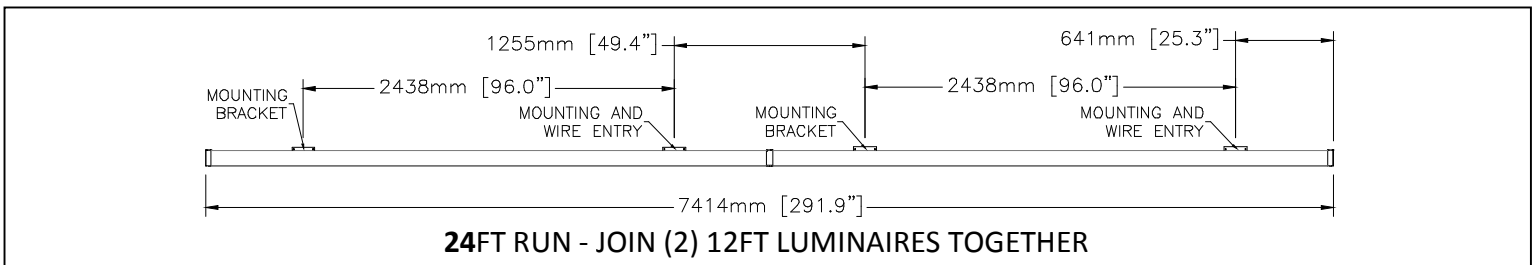
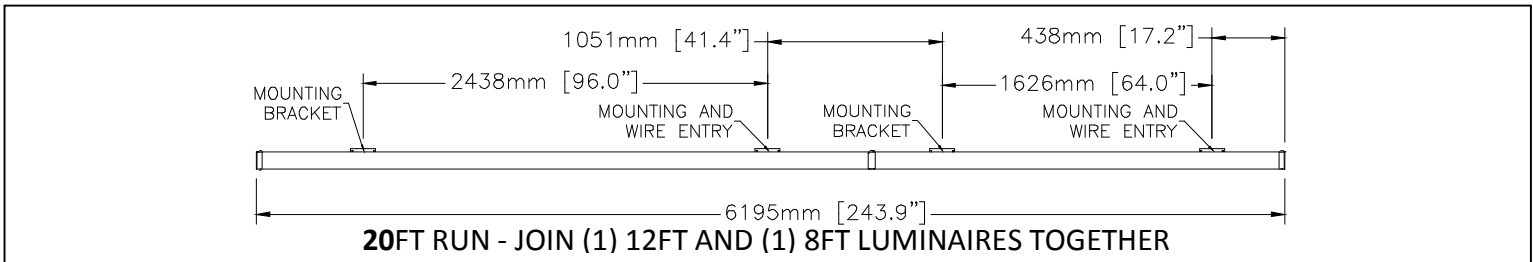
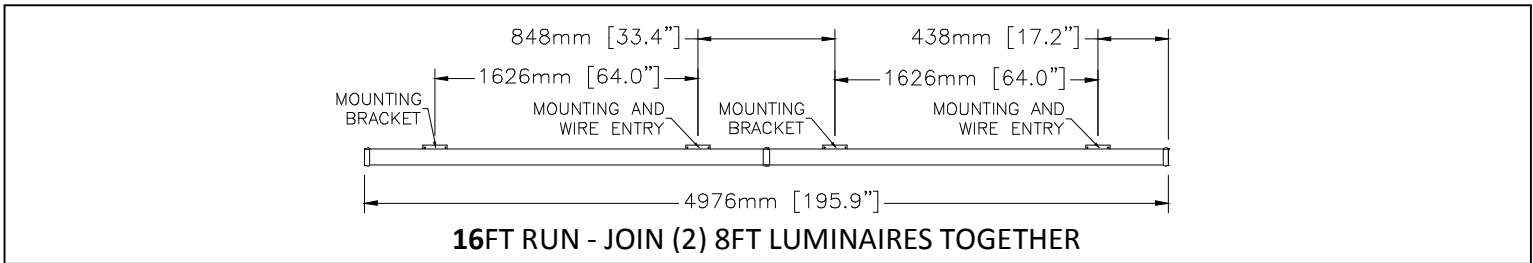
IS-0263-02 rev.00

**GRANDE OUTDOOR WALL  
 LUMINAIRE JOINING INSTRUCTIONS**



Joined luminaires.  
 Complete remaining fixtures  
 installation as needed.

**Wire entry and mounting brackets location Diagram:**





**IS-0263-02 rev.00**  
**GRANDE OUTDOOR WALL**  
**LUMINAIRE JOINING INSTRUCTIONS**

**Wire entry and mounting brackets location Diagram:**

