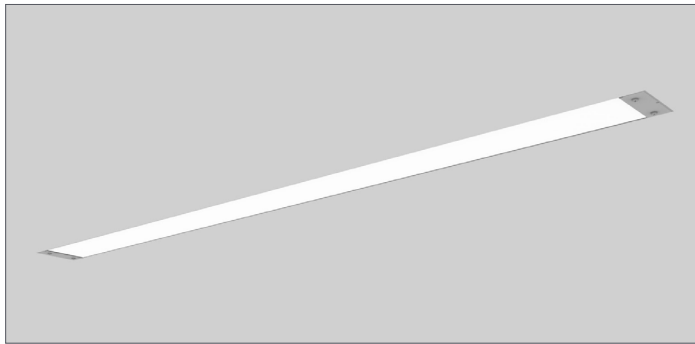


# RAIL 4 RM4DOD

OUTDOOR . LED . RECESSED FLANGELESS . DIRECT



- Efficacy up to 134 LPW
- Integral drivers
- Indirect distribution available with Inverse Mount option
- Standard natatorium finish
- Emergency lighting



PART #:	
PREP BY:	DATE:
PROJECT:	QTY:
NOTES:	
APPROVAL SIGNATURE:	DATE (DD/MM/YYYY):

PERFORMANCE SUMMARY @ 3500K		Meta Blanc MB	Meta Ice M	Luma Span LS	Luma Asym. LA	Polycarbonate PC
		L3	L3	L3	L3	L3
Lumens per foot	80 CRI	648	716	719	744	663
	90 CRI	567	627	629	651	580
Wattage per foot		5.7	5.8	5.8	6	6
Efficacy	80 CRI	113	124	125	129	115
	90 CRI	99	108	103	107	100
L70 Estimate (h)		≥ 60,000 hrs				

See complete Light Level Performance and Photometric Data on p2

## OTHER RAIL WET SERIES PRODUCTS



## ORDERING LOGIC

Example Part Number: RM4DOD-1L35K-G6x8-MB-W-L31-RF-1-90

1. SERIES	2. COLOR TEMP	3. LENGTH	4. PATTERN <sup>1</sup>	5. OPTICS	6. NATATORIUM FINISH
<b>RM4DOD</b>	<b>1L30K</b> 3000K <b>1L35K</b> 3500K <b>1L40K</b> 4000K	<b>2</b> 2 ft <b>3</b> 3 ft <b>4</b> 4 ft <b>5</b> 5 ft <b>6</b> 6 ft <b>7</b> 7 ft <b>8</b> 8 ft <b>9</b> 9 ft <b>10</b> 10 ft <b>11</b> 11 ft <b>12</b> 12 ft <b>RA</b> Continuous Rows (Replace "A" with length in feet) <b>C</b> Custom Length* _ None (leave space empty)	<b>GA</b> Square <b>GAxB</b> Rectangle <b>UAxBxC</b> U-Shape <b>LAxB</b> L-Shape <b>C</b> Custom Pattern* _ None (leave space empty)  <b>Standard Pattern Minimum Lengths</b>  Square: A = 4 ft min. Rectangle: A = 4 ft min, B = 4 ft min. U-Shape: A = 3 ft min, B = 4 ft min, C = 3 ft min. L-Shape: A = 3 ft min, B = 3 ft min.  <b>Custom Patterns*</b> Lengths and a drawing of custom pattern are required on page 2  T-Shape   Cross / X  <b>Select corner:</b> <input type="checkbox"/> Outside 90° <input type="checkbox"/> Inside 90°	<b>MB</b> Meta Blanc <b>M</b> Meta Ice <b>LS</b> Luma Span (Batwing) <b>LA</b> Luma Asymmetric <b>PC</b> Polycarbonate <b>IK10</b>  <b>MB:</b> Acrylic opal diffuse lens <b>M, LS, LA:</b> Acrylic high output semi-diffuse lens <b>PC:</b> Semi-diffuse lens  See Photometric Data on p2	<b>SA</b> Satin Aluminum <b>W</b> White <b>B</b> Black <b>C</b> Custom Finish Specify RAL:
<b>RF</b>					
<b>7. LIGHT LEVEL / DRIVER</b>	<b>8. CIRCUITRY</b>	<b>9. MOUNTING</b>		<b>10. VOLTAGE</b>	<b>11. OPTIONS</b>
<b>L1</b> <b>L2</b> <b>L3</b> <b>L4</b> <b>LX</b> Enter desired lm/ft:	<b>1</b> 1 Circuit <b>EM</b> Emergency / Night Light (not available for 2ft) <b>B</b> Emergency Battery Pack <sup>2</sup> (Limited to ambient temperatures above 0°C) <b>BC</b> Emergency Battery Pack for Cold Weather <sup>2</sup> (Limited to ambient temperatures down to -20°C)	<b>RF</b> Recessed (Covered ceiling mount only)		<b>1</b> 120V <b>2</b> 277V <b>3</b> 347V <b>4</b> UNV (120 - 277V)	<b>90</b> 90 CRI, High R9 <b>SP</b> Surge Protection <b>P</b> Plenum <b>VH</b> Vandal Resistant Hardware _ None (leave space empty)

\*Consult factory. | <sup>1</sup> Pattern record drawings showing locations will be sent out upon order. | <sup>2</sup> Battery operates 4ft sections only.

- Select Driver:  Factory option 0-10V, 1% Dimming  
 **LHE** Lutron H-Series Hi-lume 1% EcoSystem LED Driver  
 **L5E** Lutron 5-Series EcoSystem LED Driver  
 Consult factory for -40 drivers.

LIGHT LEVEL PERFORMANCE & PHOTOMETRIC DATA

3500K, 80 CRI, 0-10V Dimming (Standard)

Light Level	Meta Blanc (MB)			Meta Ice (M)			Polycarbonate Lens (PC)			Luma Span (LS)			Luma Asymmetric (LA)			
	Lumens per foot	Wattage per foot	Efficacy (LPW)	Lumens per foot	Wattage per foot	Efficacy (LPW)	Lumens per foot	Wattage per foot	Efficacy (LPW)	Lumens per foot	Wattage per foot	Efficacy (LPW)	Lumens per foot	Wattage per foot	Efficacy (LPW)	
L1	385	3.3	117	423	3.3	129	392	3.3	119	424	3	129	441	3	134	
L2	481	4.3	113	531	4.2	124	491	4.3	115	532	4	125	553	4	130	
L3	648	5.7	113	716	5.8	124	663	5.8	115	719	6	125	744	6	129	
L4	1206	11.8	102	1332	11.8	113	1232	11.7	104	1333	12	113	1383	12	117	
Light Level L3	IES File	RM4DOD-1L35K-4-MB-L3			RM4DOD-1L35K-4-M-L3			RM4DOD-1L35K-4-PC-L3			RM4DOD-1L35K-4-LS-L3			RM4DOD-1L35K-4-LA-L3		
	Distribution % (Down / Up)	100 / 0			100 / 0			100 / 0			100 / 0			100 / 0		
	Zonal Lumens (0-90 / 90-180)	2593 / 0			2863 / 0			2651 / 0			2874 / 0			2974 / 0		
	Distribution Curve															

Lumen Adjustment Factor (Standard)

Color Temp	80 CRI	90 CRI
3000K	0.984	0.880
3500K	1.000	0.875
4000K	1.032	0.879

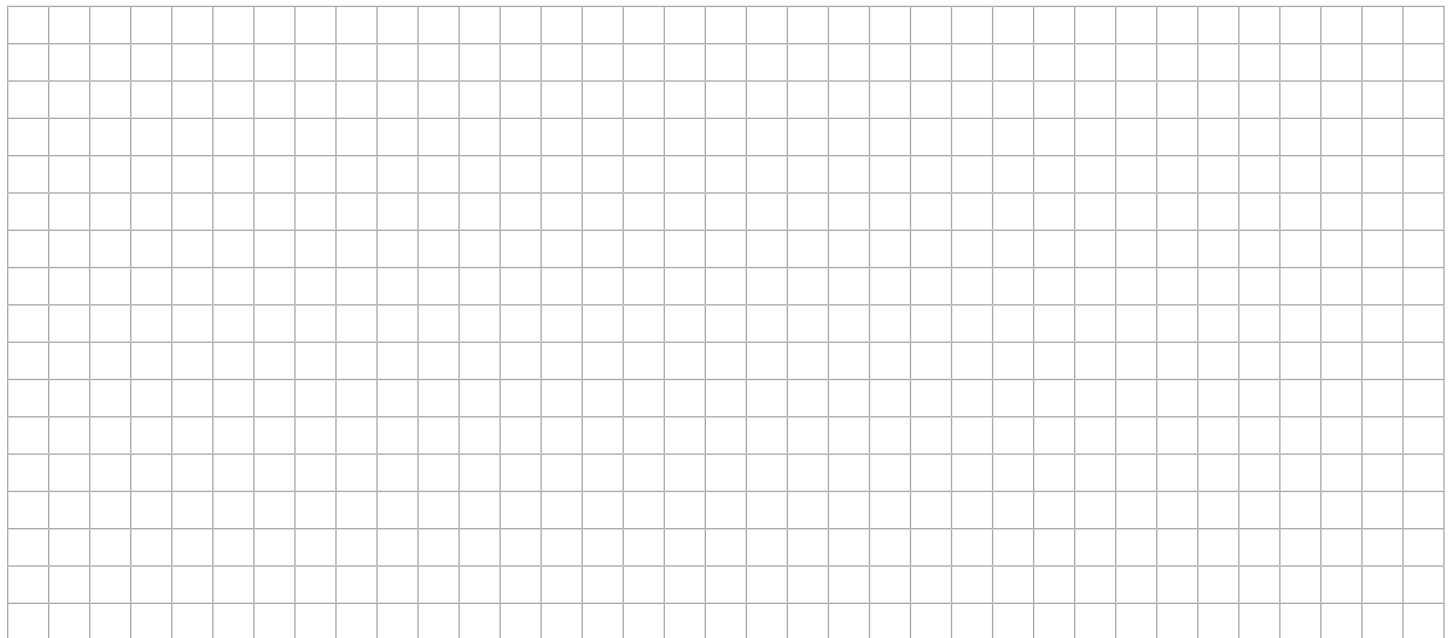
Metalumen's light level performance metrics are subject to manufacturers component tolerances.

PATTERNS

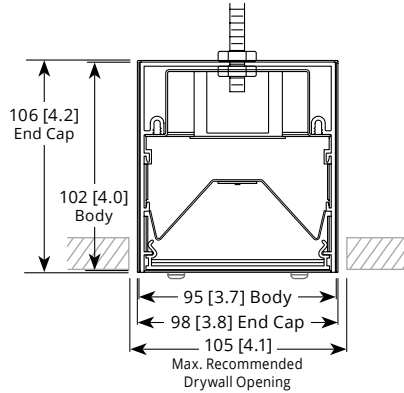
Select Pattern:	<input type="checkbox"/> T-SHAPE (C)	<input type="checkbox"/> X/CROSS (C)
Pattern Configuration		
Indicate Desired Lengths (ft)	Consult Factory	
Minimum Lengths	A = 3 ft B = 6 ft	A = 6 ft B = 6 ft

**A pattern configuration drawing is required in the grid below**

Record drawings will be sent out upon order showing mounting locations.



## CROSS SECTIONS



## SPECIFICATIONS

Due to the Continuous Improvement Policy at Metalumen, we reserve the right to change our specifications without notice.

**Housing:** Rigid extruded aluminum body, 2.0mm (0.08") nominal wall thickness. Aluminum formed end caps.

**Optical System:** Metalumen luminaires are designed to utilize leading edge LED technology combined with luminaire optimized reflectors and our custom diffusers, resulting in industry leading optical performance.

**CRI:** 83+ for 3500K, 80 minimum for

all CCTs in standard configurations.

**Lumen Maintenance:** Minimum 50,000h with TM-21 lumen maintenance of 85% @ 25°C ambient temperature (calculated based on IESNA LM-80-08 LED test data). L70: ≥60,000hrs.

**Finish:** Satin aluminum, white and black are standard with a natatorium finish. Exceeds 4000 salt spray hours (ASTM B117). For custom colors, contact factory.

**Weight:** 2.1 kg/300mm [ 4.6 lb/ft ]

**Mounting:** Mounting rods provided by others.

**Drivers:** Metalumen offers 0-10V dimming\* as a standard on our entire LED product offering. Dimming range is 1%-100%. Power factor is > 90%. Class 2 rating. Drivers are integral. Consult factory for -40 drivers.

**Approvals:** All components are UL/CSA/QPS recognized or listed. RoHS compliant. This product is cULus

listed.

**Environment:** Suitable for wet locations -22°F / -30°C start ambient temperature. Suitable for natatorium environments.

*\*Standard drivers compatible with passive/sinking dimmers. Please contact Metalumen if active/sourcing dimmer support is required.*

## WARRANTY

Metalumen will warrant defective luminaires for 5 years from date of purchase. Warranty is valid if luminaire is installed and used according to specification. If defective, Metalumen will send replacement boards or drivers at no cost along with detailed replacement instructions and instructions on how to return defective components to Metalumen.