



NOTE: The following instructions provide general guidelines for product installation. For additional information consult the applicable electrical codes or contact factory directly for support before attempting anything with uncertainty.

CAUTION: Do not assemble fixture runs on floor.

WARNING: Risk of fire and electrical shock. **DISCONNECT POWER AT ELECTRICAL PANEL** before installing or servicing this product.

GENERAL SAFETY INSTRUCTIONS:

1. Read all instructions prior to installing this fixture.
2. This product must be installed in accordance with the applicable installation code by a person familiar with the construction and operation of the product and the hazards involved.
3. All wiring must be performed by a qualified electrician in accordance with national and local building and electrical codes.
4. This fixture must be suitably grounded for your protection against shock hazards and to assure proper operation.
5. Make sure that the power source conforms to the requirements of this fixture.

Specifications and design subject to change without notice.

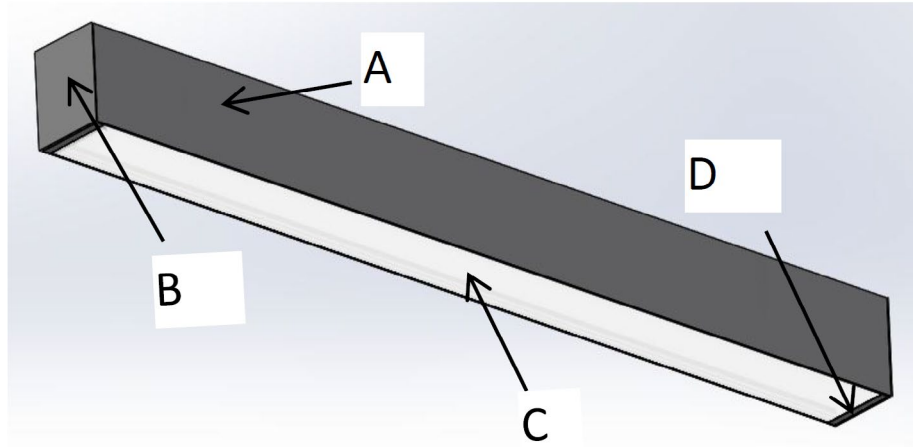
PARTS LIST

MAIN PARTS LIST

- A. Luminaire enclosure
- B. End Plate
- C. Lens
- D. Filler & Magnet

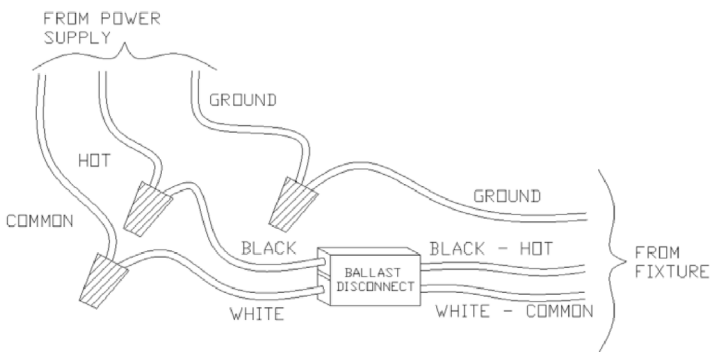
OTHER PARTS:

- Reflector
- Lamp (supplied or by others)

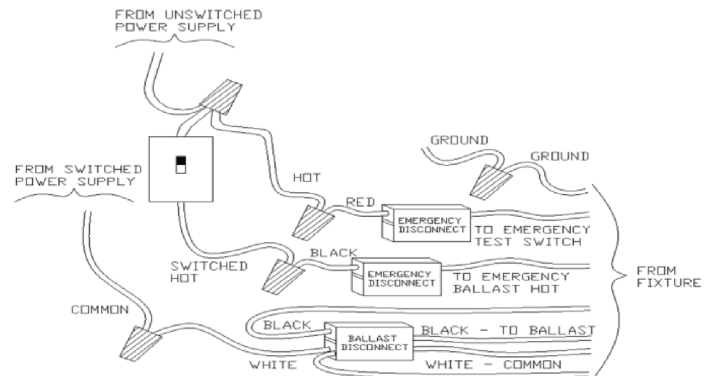


WIRING DIAGRAMS

STANDARD WIRING

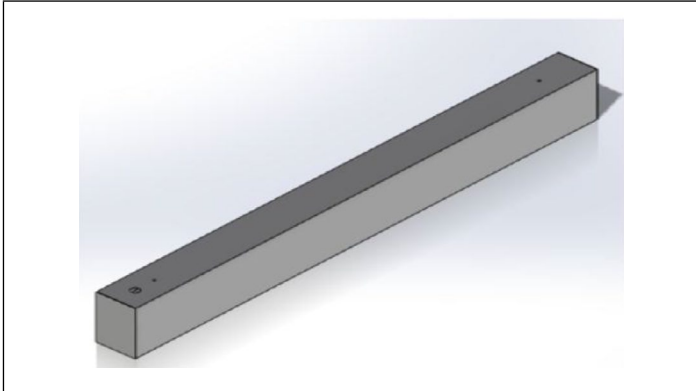


WITH OPTIONAL EMERGENCY PACK

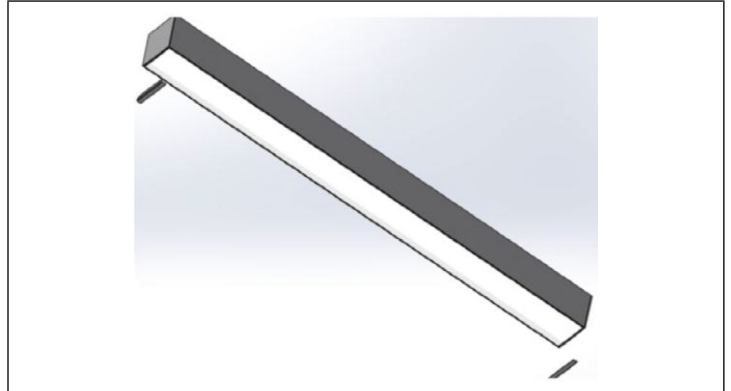


Specifications and design subject to change without notice.

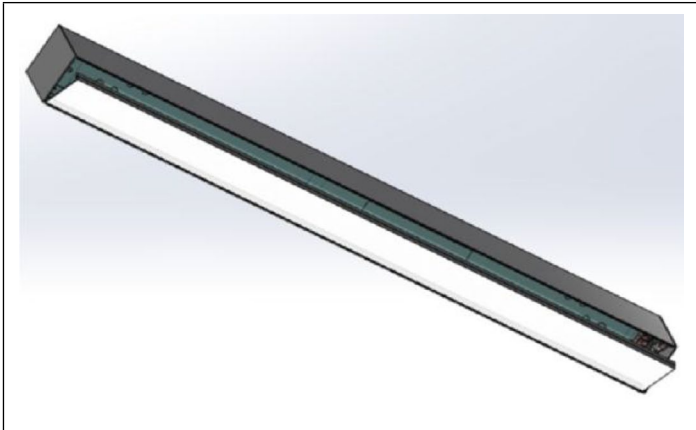
STEP-BY-STEP INSTALLATION INSTRUCTIONS



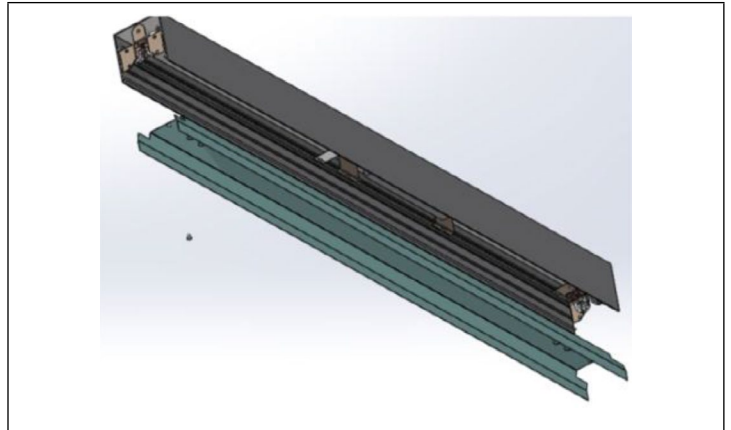
STEP 1. Remove fixture packaging; note marked supply wires coming out at the top of the luminaire.



STEP 2. Remove Filler & Magnet (D) .Keep all parts.



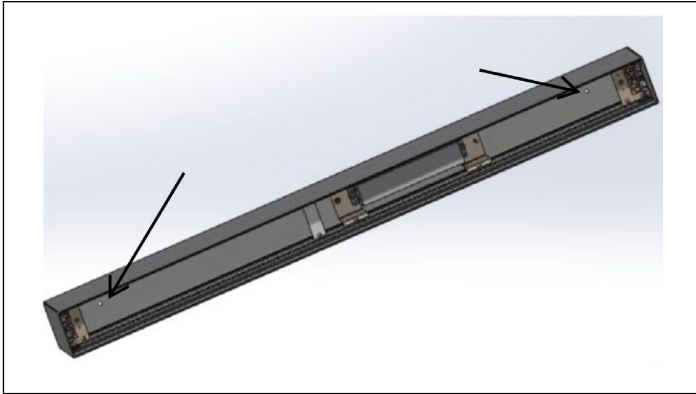
STEP 3. Remove lens (C) starting at one end. Pull one side first, rotate and detach. Keep lens.



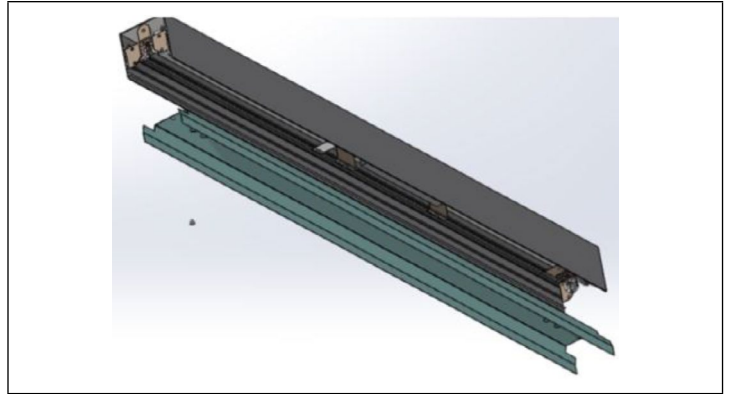
STEP 4. Remove reflector mounting screws and reflector. Note fixtures with optional emergency pack have a test switch and indicator light mounted on the reflector.

Specifications and design subject to change without notice.

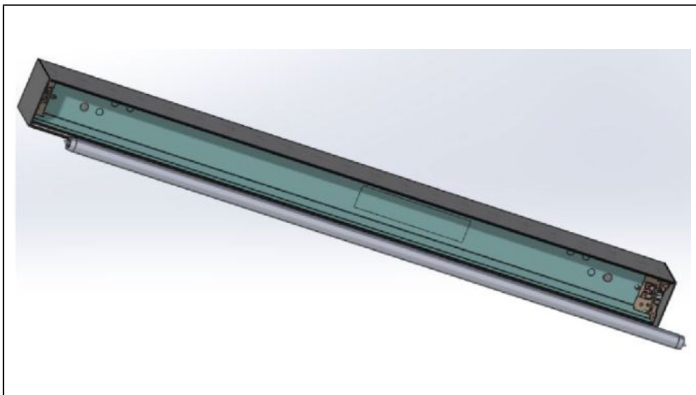
STEP-BY-STEP INSTALLATION INSTRUCTIONS



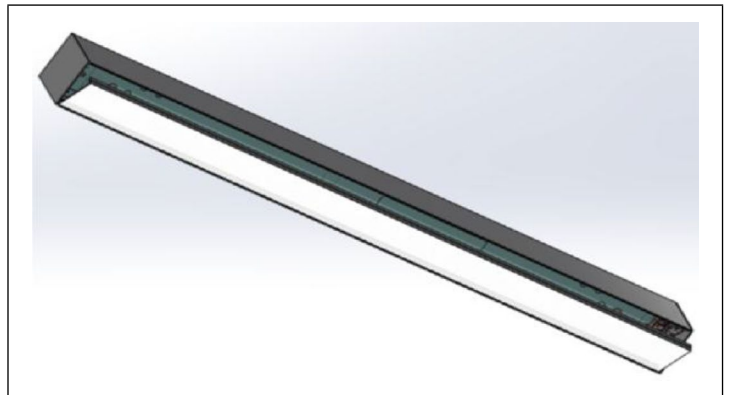
STEP 5. Install and secure fixture to mounting surface (fasteners by others). Perform electrical wiring. Optional emergency ballast must be fed from the same branch circuit as the AC ballast.



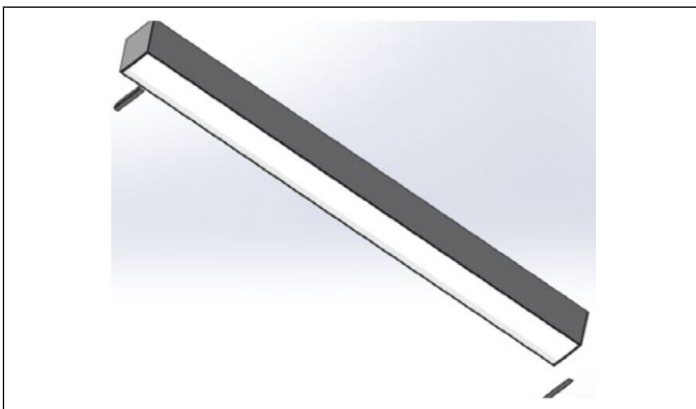
STEP 6. Re-attach reflector with (2) mounting screws.



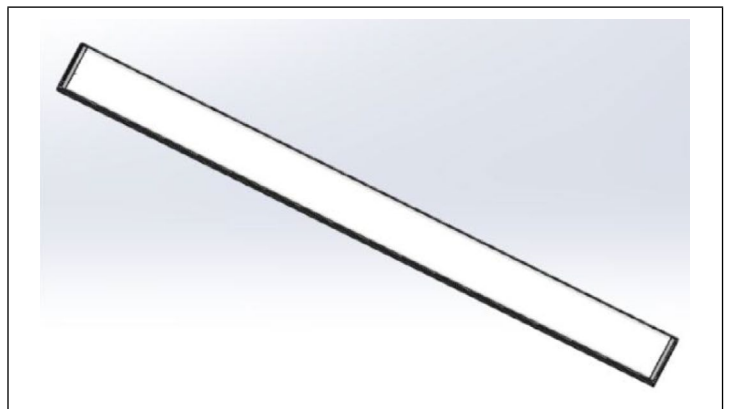
STEP 7. Install lamp(s).



STEP 8. Re-attach lens. Start with one side first and close the other side starting from the corner.



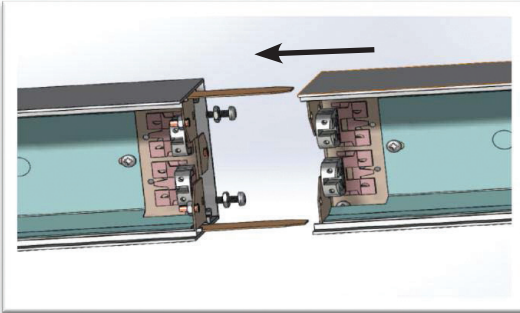
STEP 9. Re-attach Filler & Magnet (2).



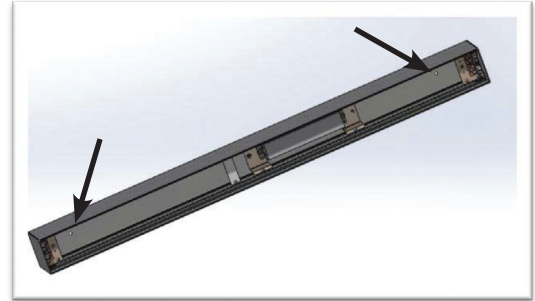
Installed fixture.

Specifications and design subject to change without notice.

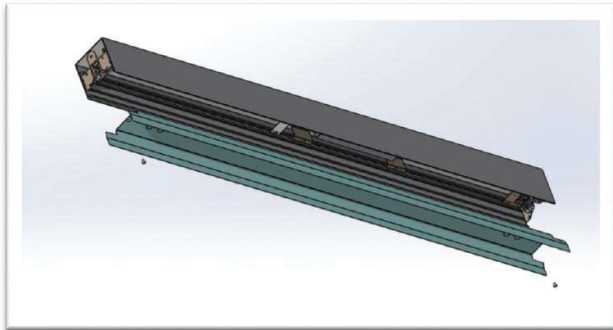
STEP-BY-STEP INSTRUCTIONS



STEP 5. Bring fixture with the wire entry end close to the Start fixture joiner end. Attach Middle or End fixture to the Start fixture joiner end by inserting aligners from start fixture into mid/end; Make electrical connection between fixtures; place screw thru lamp socket holes and tightening with nuts to join up fixtures. Perform wiring at switch box.



STEP 6. Install and secure fixture to the mounting surface (fasteners by others).

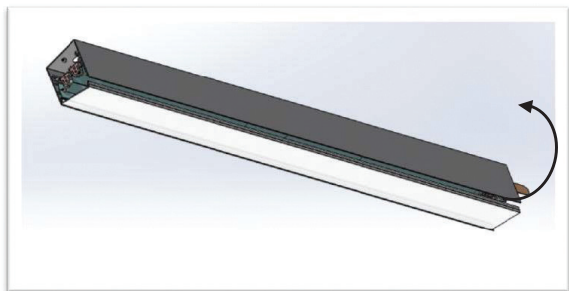


STEP 7. Re-attach reflector with (2) mounting screws.

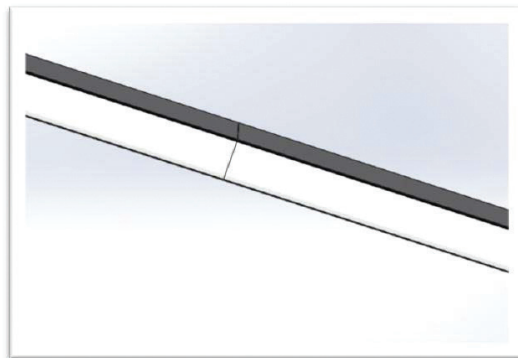
STEP 8. Install lamp(s).

Specifications and design subject to change without notice.

STEP-BY-STEP INSTRUCTIONS



STEP 9. Re-attach lens. Start with one side first and close the other side starting from the corner.



STEP 10. Join luminaires. Complete remaining fixtures installation as needed.

Specifications and design subject to change without notice.