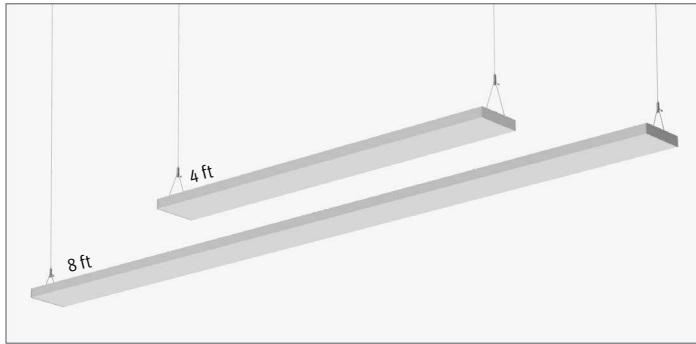


STAIL RMEP6

LED . PENDANT . INDIRECT



PART #:	
PREP BY:	DATE:
PROJECT:	
NOTES:	
APPROVAL SIGNATURE:	DATE (DD/MM/YYYY):

PERFORMANCE SUMMARY @ 3500K		LIGHT LEVEL L3
Lumens	80 CRI	5984
	90 CRI	5236
Distribution % (Up / Down)		100 / 0
Wattage		48.6
Efficacy	80 CRI	123
	90 CRI	108
L70 Estimate (h)		≥ 60,000 hrs

See page 2 for the complete Light Level Performance chart. Based on 4ft sections.

FEATURES

- Efficacy up to 131 LPW
- 100% indirect distribution
- Suitable for dry or damp locations

ORDERING LOGIC

Example Part Number: RMEP6-2L35K-8-C-WT-L31-PA18-1-D-90

RMEP6										
1	2	3	C	5	6	7	8	9	10	11
1. SERIES RMEP6	2. COLOR TEMP 2L30K 3000K 2L35K 3500K 2L40K 4000K <small>90 CRI is available under OPTIONS</small>	3. LENGTH 4 4 ft 8 8ft RA Continuous Rows Replace "A" with length in feet selected on p2	4. OPTICS C UP: Clear Optics, 100% Indirect	5. FINISH SG Silver / Grey Textured Coat WT White Textured C Custom Finish Specify RAL:	6. LIGHT LEVEL/DRIVER L1 Select Driver below. L2 L3 See Light Level Performance chart on p2. L4	7. CIRCUITRY 1 1 Circuit EM Emergency / Night Light * B Emergency Battery Pack * ⁹	8. MOUNTING PAA Pendant Aircraft Cable PTA Pendant Aircraft Cable for T-bar Replace "A" with length (inches) selected below. Select Aircraft Cable Length, Canopy Finish & Power Cord Color below	9. VOLTAGE 1 120 V 2 277 V 3 347 V 4 UNV (120 - 277V)	10. CONTROLS / SENSORS _ None (leave space empty) D Wattstopper Daylight Sensor O Wattstopper Occupancy Sensor DO Wattstopper Daylight and Occupany Sensor	11. OPTIONS 90 90 CRI, High R9 _ None (leave space empty)

*Two wire entries required. | ⁹ Battery operates 4ft sections only.

Select Driver:

- Factory option 0-10V (Standard)
- Factory option 1% dimming
- LHE** Lutron H-Series Hi-lume 1% EcoSystem LED Driver
- LA2** Lutron A-Series Hi-lume 1% 2-wire LED Driver
- L5E** Lutron 5-Series EcoSystem LED Driver

Select Aircraft Cable Length:

Total adjustment range is 6" up & down for each standard length. All other lengths are considered custom unless otherwise stated.

Select:	Imperial (in)	Metric (mm)
<input type="checkbox"/>	12	305
<input type="checkbox"/>	18	460
<input type="checkbox"/>	24	610
<input type="checkbox"/>	30	760
<input type="checkbox"/>	36	915
<input type="checkbox"/>	42	1067
<input type="checkbox"/>	48	1220

Select:	Imperial (in)	Metric (mm)
<input type="checkbox"/>	54	1372
<input type="checkbox"/>	60	1525
<input type="checkbox"/>	72	1830
<input type="checkbox"/>	96	2440
<input type="checkbox"/>	120	3050
<input type="checkbox"/>	144	3660
<input type="checkbox"/>	Custom Length: _____	

Select Canopy Finish:

Canopy	
<input type="checkbox"/>	White
<input type="checkbox"/>	Custom Finish
RAL: _____	

Light Level Performance

3500K, 80 CRI, 0-10V Dimming (Standard)

Light Level	Lumens	Wattage	Efficacy
L1	3634	27.8	131
L2	4479	35.4	127
L3	5984	48.6	123
L4	11017	96.6	114

Lumen Adjustment Factor

Color Temp	80 CRI	90 CRI
3000K	0.984	0.880
3500K	1.000	0.875
4000K	1.032	0.879

CONTINUOUS ROWS

Step 1) Indicate desired quantity of rows under the QTY column

Step 2) ← Pods → If applicable, select pod(s) per row to indicate desired Emergency lighting location. If a similar row requires a different Emergency lighting location, please fill out another sheet.

Record drawings for rows not represented here will be sent out upon order.

QTY	Nominal Length	Run Length Overall	Alone / Start Length	Mid Length(s)	End Length	Diagram
						ROWS IN PLAN VIEW Rows are for demonstration purposes only and are not to scale.
	4'	1240 [48.8]	4			1228 [48.3]
	8'	2480 [97.6]	8			2468 [97.2]
	12'	3719 [146.4]	8	4		2468 [97.2] 1228 [48.3]
	16'	4959 [195.2]	8	8		2468 [97.2] 2468 [97.2]
	20'	6199 [244.1]	8	8	4	2468 [97.2] 2480 [97.6] 1228 [48.3]
	24'	7439 [292.9]	8	8	8	2468 [97.2] 2480 [97.6] 2468 [97.2]
	28'	8679 [341.6]	8	8 (x2)	4	2468 [97.2] 2480 [97.6] 2480 [97.6] 1228 [48.3]
	32'	9918 [390.5]	8	8 (x2)	8	2468 [97.2] 2480 [97.6] 2480 [97.6] 2468 [97.2]
	36'	11158 [439.3]	8	8 (x3)	4	2468 [97.2] 2480 [97.6] 2480 [97.6] 2480 [97.6] 1228 [48.3]
	40'	12398 [488.1]	8	8 (x3)	8	2468 [97.2] 2480 [97.6] 2480 [97.6] 2480 [97.6] 2468 [97.2]
	44'	13638 [536.9]	8	8 (x4)	4	2468 [97.2] 2480 [97.6] 2480 [97.6] 2480 [97.6] 2480 [97.6] 1228 [48.3]
	48'	14878 [585.7]	8	8 (x4)	8	2468 [97.2] 2480 [97.6] 2480 [97.6] 2480 [97.6] 2480 [97.6] 2468 [97.2]

LEGEND

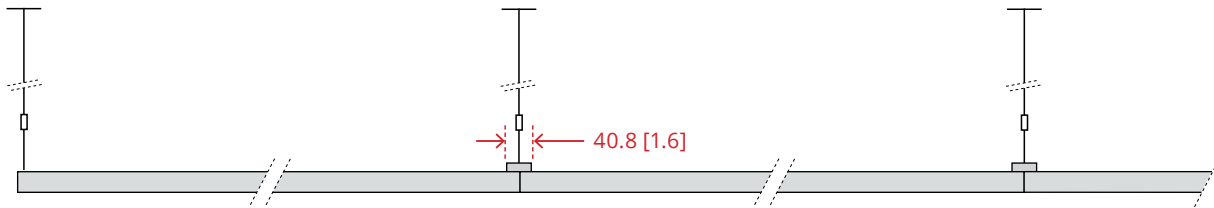
- Standard (STD) Wire Entry Location
- Emergency (EM) / Night Light Location
- EM or Battery Wire Entry Location

A = Distance Between Mounting Points

EM / Night Light and EM or Battery Wire Entry location in relation to pod selections:

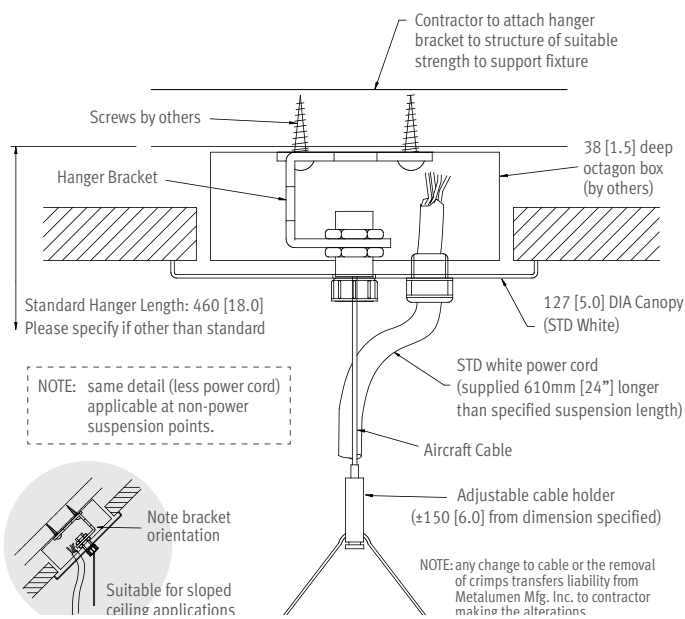
Refer to page 3 for Hanger information

CONTINUOUS ROWS (continued)

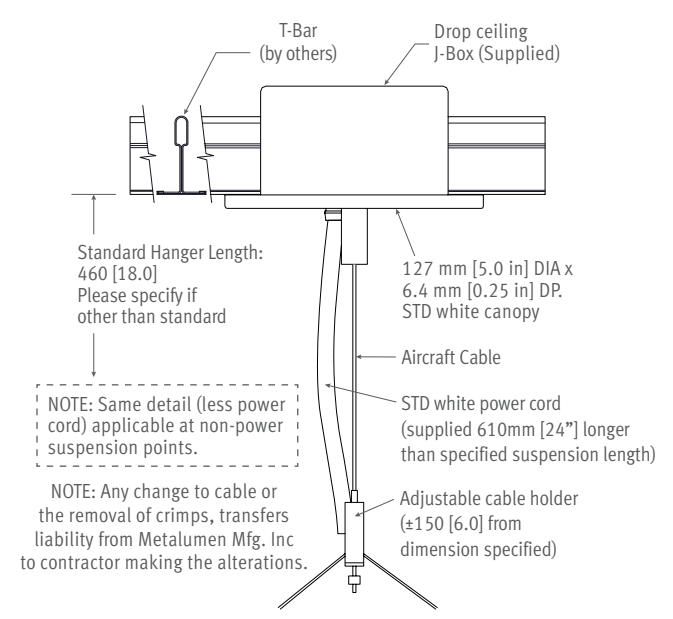


HANGER

Aircraft Cable & Cord



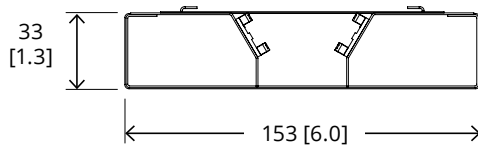
T-Bar Aircraft Cable & Cord



WIRING

Standard Wiring	Emergency Wiring	Emergency Battery Pack Wiring
<p>BLACK - LINE WHITE - NEUTRAL GREEN - GROUND RED - CAPPED/SW LEAD VIOLET - DIM(+) GREY - DIM(-)</p>	<p>BLACK - LINE WHITE - NEUTRAL GREEN - GROUND RED - CAP OFF</p>	<p>BLACK - LINE WHITE - NEUTRAL GREEN - GROUND RED - UNSWITCHED HOT</p>

CROSS SECTIONS



SPECIFICATIONS

Due to the Continuous Improvement Policy at Metalumen, we reserve the right to change our specifications without notice.

Housing: Cold rolled steel body fabrication, 0.91mm (20 Ga.) wall thickness.
Optical System: MetaLED mid flux LED technology.
CRI: Minimum 83 CRI at 3500K.
Lumen Maintenance: At an ambient operating temperature of 25°C the LED

lifetime expectancy ≥ 60 000hrs at L70.
Finish: Silver/grey textured and white textured are standard finishes. For custom finish, consult factory.
Weight: 1.8 kg/300mm [4 lb/ft]
Mounting: Aircraft cable with Quick-Grip field adjustable suspension system provides for quick and easy on

site alignment.
Electrical: Factory prewired with easy wire quick connect sections.
Drivers: Metalumen offers dimming drivers as a standard on our entire LED product offering at 0-10V. Dimming range is 10%-100%. Power factor is >90%. Class 2 rating.

Approvals: Certified to NRTL and IES testing standards. All components are UL and CUL listed. RoHS compliant.
Environment: Suitable for dry or damp locations.

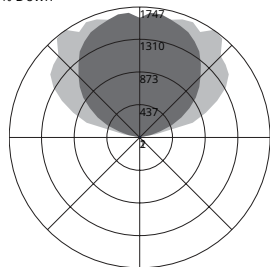
WARRANTY

Metalumen will warrant defective luminaires for 5 years from date of purchase. Warranty is valid if luminaire is installed and used according to specification. If defective, Metalumen will send replacement boards or drivers at no cost along with detailed replacement instructions and instructions on how to return defective components to Metalumen.

PHOTOMETRIC DATA - 3500K, 80 CRI

Optics Up: **Clear Optics, Angled Reflector**
 Optics Down: **No Optics (Solid Body)**
 IES File: **RMEP6-2L35K-4-C-L3**
 Lumens: **5984** Wattage: **48.6**
 Efficacy: **123 lm/W**

PHOTOMETRIC CURVE
 100% Up
 0% Down



ZONAL LUMEN SUMMARY

Zone	Lumens	%Fixt
0-20	0	0
0-30	0	0
0-40	0	0
0-60	0	0
0-80	0	0
0-90	0	0
10-90	0	0
20-40	0	0
20-50	0	0
40-70	0	0
60-80	0	0
70-80	0	0
80-90	0	0
90-110	651	10.9
90-120	1553	25.9
90-130	2615	43.7
90-150	4631	77.3
90-180	5988	100
110-180	5338	89.1
0-180	5988	100

COEFFICIENTS OF UTILIZATION

Zonal Cavity Method | Effective Floor Cavity Reflectance = .20

RC RW	80				70				50				
	70	50	30	10	70	50	30	10	50	30	10		
RCR													
0	95	95	95	95	81	81	81	81	56	56	56		
1	87	83	79	76	74	71	68	65	48	47	45		
2	79	72	66	62	67	62	57	53	42	40	37		
3	72	63	56	51	61	54	49	44	37	34	31		
4	65	56	48	43	56	48	42	37	33	29	26		
5	60	49	42	36	51	42	36	32	29	25	22		
6	55	44	36	31	47	38	32	27	26	22	19		
7	50	39	32	27	43	34	28	23	23	19	17		
8	47	35	28	23	40	30	24	20	21	17	14		
9	43	32	25	20	37	28	22	18	19	15	13		
10	40	29	22	18	34	25	19	16	17	14	11		

CANDELA DISTRIBUTION

Vertical Angle	Horizontal Angle				
	0	22.5	45	67.5	90
0	0	0	0	0	0
10	0	0	0	0	0
20	0	0	0	0	0
30	0	0	0	0	0
40	0	0	0	0	0
50	0	0	0	0	0
60	0	0	0	0	0
70	0	0	0	0	0
80	0	0	0	0	0
90	2	1	1	0	0
100	155	259	344	269	213
110	457	567	789	905	945
120	770	875	1113	1255	1331
130	1041	1112	1321	1460	1502
140	1272	1305	1422	1655	1717
150	1472	1466	1548	1631	1619
160	1580	1582	1575	1692	1672
170	1662	1649	1654	1648	1639
180	1589	1589	1589	1589	1589

LUMINANCE DATA (CD/M²)

Vertical Angle	Horizontal Angle		
	0	45	90
45	0	0	0
55	0	0	0
65	0	0	0
75	0	0	0
85	0	0	0

OPTICS DISTRIBUTION SUMMARY

Cross Section	Part Number	Delivered Lumens	Input Wattage	Efficacy (lm/W)	Direct Lumens	Direct %	Indirect Lumens	Indirect %	Distribution Photometry
	RMEP6-2L35K-4-C-XX-L1X-XX-X	3634	27.8	131	0	0	3634	100	
	RMEP6-2L35K-4-C-XX-L2X-XX-X	4479	35.2	127	0	0	4479	100	
	RMEP6-2L35K-4-C-XX-L3X-XX-X	5984	48.6	123	0	0	5984	100	
	RMEP6-2L35K-4-C-XX-L4X-XX-X	11017	97.2	114	0	0	11017	100	