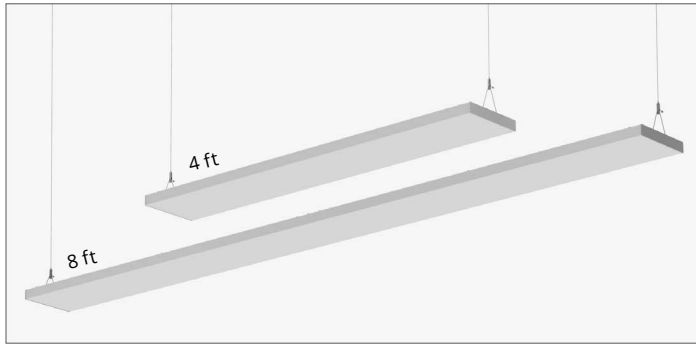


STAIL RMEP8

LED . PENDANT . INDIRECT



| | |
|---------------------|--------------------|
| PART #: | |
| PREP BY: | DATE: |
| PROJECT: | |
| NOTES: | |
| APPROVAL SIGNATURE: | DATE (DD/MM/YYYY): |

| PERFORMANCE SUMMARY @ 3500K | | LIGHT LEVEL L3 |
|-----------------------------|--------|----------------|
| Lumens | 80 CRI | 6150 |
| | 90 CRI | 5381 |
| Distribution % (Up / Down) | | 100 / 0 |
| Wattage | | 48.6 |
| Efficacy | 80 CRI | 127 |
| | 90 CRI | 111 |
| L70 Estimate (h) | | ≥ 60,000 hrs |

See page 2 for the complete Light Level Performance chart.

FEATURES

- Efficacy up to 135 LPW
- 100% indirect distribution
- Suitable for dry or damp locations

ORDERING LOGIC

Example Part Number: RMEP8-2L35K-8-C-WT-L31-PA18-1-D-90

| RMEP8 | | | | | | | | | | | |
|--|--|--|--|---|---|---|---|---|---|----|--|
| 1 | 2 | 3 | C | 5 | 6 | 7 | 8 | 9 | 10 | 11 | |
| 1. SERIES RMEP8 | 2. COLOR TEMP 2L30K 3000K 2L35K 3500K 2L40K 4000K <small>90 CRI is available under OPTIONS</small> | 3. LENGTH 4 4 ft 8 8ft RA Continuous Rows Replace "A" with length in feet selected on p2 | 4. OPTICS C UP: Clear Optics, 100% Indirect | | | 5. FINISH SG Silver / Grey Textured Coat WT White Textured C Custom Finish Specify RAL: | | | 6. LIGHT LEVEL/DRIVER L1 <input type="text"/> Select Driver below. L2 L3 See Light Level Performance chart on p2. L4 | | |
| 7. CIRCUITRY 1 1 Circuit EM Emergency / Night Light * B Emergency Battery Pack ** | 8. MOUNTING PAA Pendant Aircraft Cable PTA Pendant Aircraft Cable for T-bar Replace "A" with length (inches) selected below. Select Aircraft Cable Length, Canopy Finish & Power Cord Color below | | 9. VOLTAGE 1 120V 2 277V 4 UNV (120 - 277V) | | 10. CONTROLS / SENSORS _ None (leave space empty) D Wattstopper Daylight Sensor O Wattstopper Occupancy Sensor DO Wattstopper Daylight and Occupancy Sensor | | | 11. OPTIONS 90 90 CRI, High R9 - None (leave space empty) | | | |

*Two wire entries required. | **Battery operates 4ft sections only.

Select Aircraft Cable Length:

Total adjustment range is 6" up & down for each standard length. All other lengths are considered custom unless otherwise stated.

| Select: | Imperial (in) | Metric (mm) |
|--------------------------|---------------|-------------|
| <input type="checkbox"/> | 12 | 305 |
| <input type="checkbox"/> | 18 | 460 |
| <input type="checkbox"/> | 24 | 610 |
| <input type="checkbox"/> | 30 | 760 |
| <input type="checkbox"/> | 36 | 915 |
| <input type="checkbox"/> | 42 | 1067 |
| <input type="checkbox"/> | 48 | 1220 |

| Select: | Imperial (in) | Metric (mm) |
|--------------------------|----------------------|-------------|
| <input type="checkbox"/> | 54 | 1372 |
| <input type="checkbox"/> | 60 | 1525 |
| <input type="checkbox"/> | 72 | 1830 |
| <input type="checkbox"/> | 96 | 2440 |
| <input type="checkbox"/> | 120 | 3050 |
| <input type="checkbox"/> | 144 | 3660 |
| <input type="checkbox"/> | Custom Length: _____ | |

Select Canopy Finish:

| Canopy | |
|--------------------------|---------------|
| <input type="checkbox"/> | White |
| <input type="checkbox"/> | Custom Finish |
| RAL: _____ | |

Select Driver:

- Factory option 0-10V (Standard)
- Factory option 1% dimming
- LHE** Lutron H-Series Hi-lume 1% EcoSystem LED Driver
- LAE** Lutron A-Series Hi-lume 1% EcoSystem LED Driver
- LA2** Lutron A-Series Hi-lume 1% 2-wire LED Driver
- L5E** Lutron 5-Series EcoSystem LED Driver

Light Level Performance

3500K, 80 CRI, 0-10V Dimming (Standard)


| Light Level | Lumens | Wattage | Efficacy |
|-------------|--------|---------|----------|
| L1 | 3736 | 27.8 | 135 |
| L2 | 4607 | 35.4 | 130 |
| L3 | 6150 | 48.6 | 127 |
| L4 | 11332 | 97.2 | 117 |

Lumen Adjustment Factor

| Color Temp | 80 CRI | 90 CRI |
|------------|--------|--------|
| 3000K | 0.984 | 0.873 |
| 3500K | 1.000 | 0.875 |
| 4000K | 1.032 | 0.879 |

CONTINUOUS ROWS

Step 1) Indicate desired quantity of rows under the QTY column

Step 2)  If applicable, select pod(s) per row to indicate desired Emergency lighting location. If a similar row requires a different Emergency lighting location, please fill out another sheet.

Record drawings for rows not represented here will be sent out upon order.

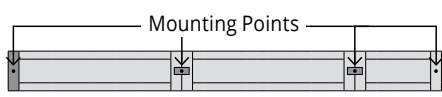
| QTY | Nominal Length | Run Length Overall | Alone / Start Length | Mid Length(s) | End Length | Diagram |
|-----|----------------|--------------------|----------------------|---------------|------------|---------|
| | 4' | 1240 [48.8] | 4 | | | |
| | 8' | 2480 [97.6] | 8 | | | |
| | 12' | 3719 [146.4] | 8 | 4 | | |
| | 16' | 4959 [195.2] | 8 | 8 | | |
| | 20' | 6199 [244.1] | 8 | 8 | 4 | |
| | 24' | 7439 [292.9] | 8 | 8 | 8 | |
| | 28' | 8679 [341.6] | 8 | 8 (x2) | 4 | |
| | 32' | 9918 [390.5] | 8 | 8 (x2) | 8 | |
| | 36' | 11158 [439.3] | 8 | 8 (x3) | 4 | |
| | 40' | 12398 [488.1] | 8 | 8 (x3) | 8 | |
| | 44' | 13638 [536.9] | 8 | 8 (x4) | 4 | |
| | 48' | 14878 [585.7] | 8 | 8 (x4) | 8 | |

ROWS IN PLAN VIEW


Rows are for demonstration purposes only and are not to scale.

LEGEND

- Standard (STD) Wire Entry Location
- Emergency (EM) / Night Light Location
- EM or Battery Wire Entry Location



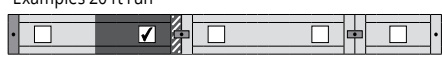
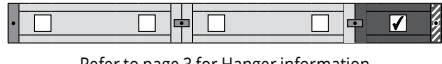
Mounting Points



A = Distance Between Mounting Points

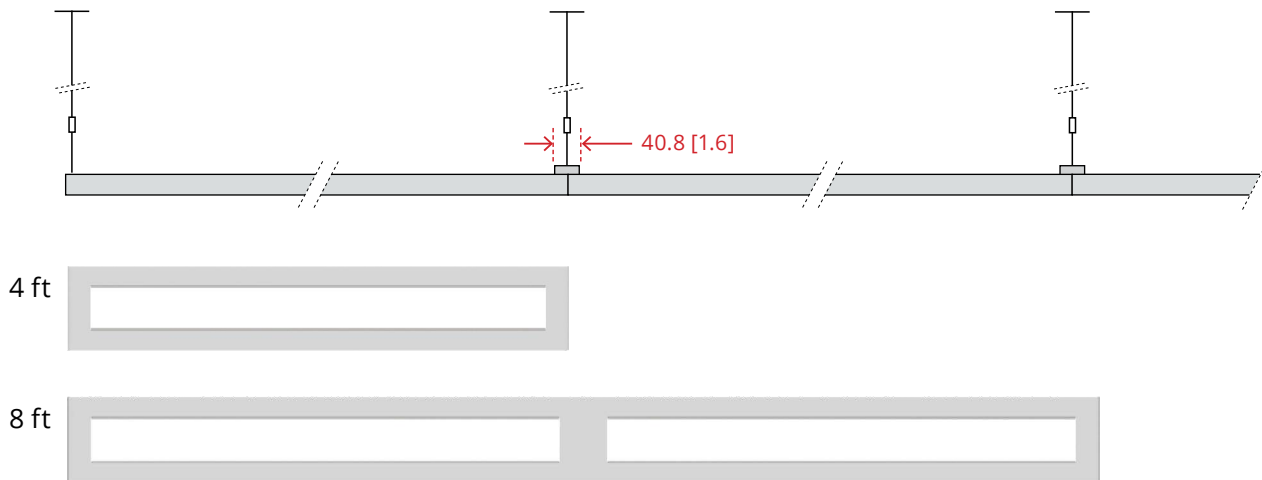
EM / Night Light and EM or Battery Wire Entry location in relation to pod selections:

Examples 20 ft run

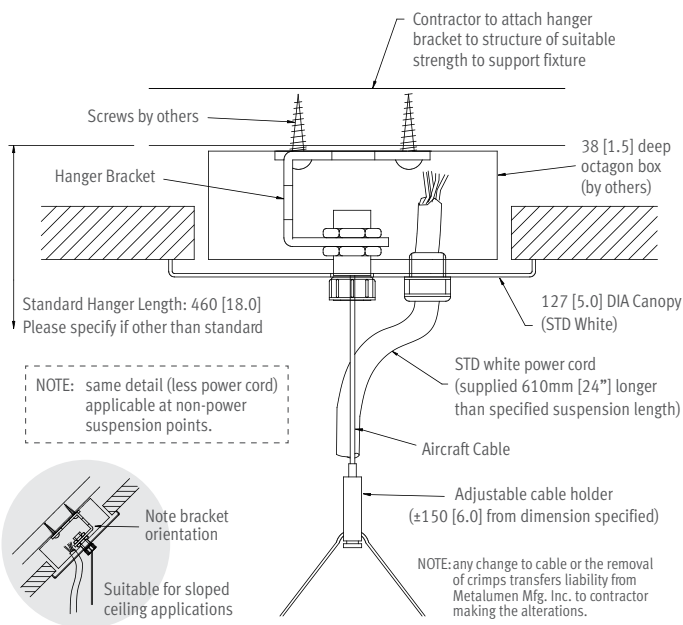
Refer to page 3 for Hanger information

CONTINUOUS ROWS (continued)

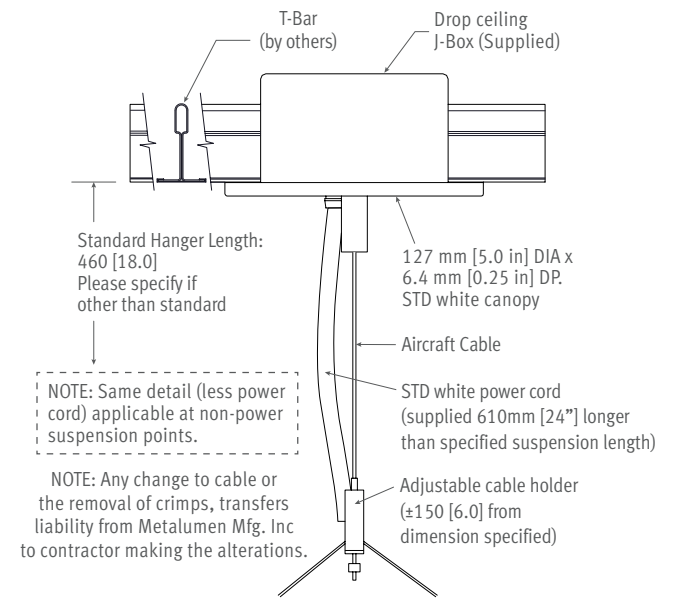


HANGER

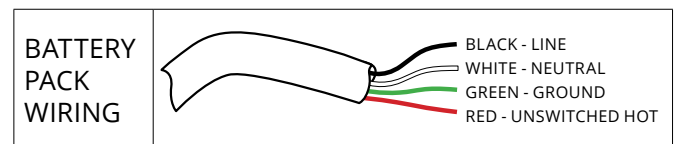
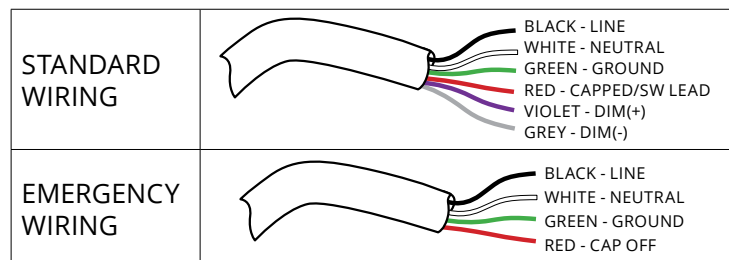
Aircraft Cable & Cord



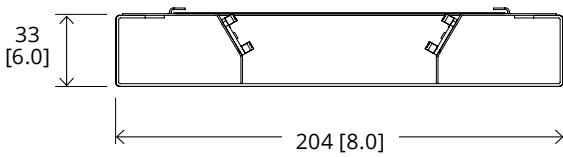
T-Bar Aircraft Cable & Cord



WIRING



CROSS SECTIONS



SPECIFICATIONS

Due to the Continuous Improvement Policy at Metalumen, we reserve the right to change our specifications without notice.

Housing: Cold rolled steel body fabrication, 0.91mm (20 Ga.) wall thickness.
Optical System: MetaLED mid flux LED technology.
CRI: Minimum 83 CRI at 3500K.
Lumen Maintenance: At an ambient operating temperature of 25°C the LED

lifetime expectancy ≥ 60 000hrs at L70.
Finish: Silver/grey textured and white are standard finishes. For custom finish, contact factory.
Weight: 1.8 kg/300mm [4 lb/ft]
Mounting: Aircraft cable with Quick-Grip field adjustable suspension system provides for quick and easy

onsite alignment.
Electrical: Factory prewired with easy wire quick connect sections.
Drivers: Metalumen offers dimming drivers as a standard on our entire LED product offering at 0-10V. Dimming range is 10%-100%. Power factor is >90%. Class 2 rating.

Approvals: Certified to NRTL and IES testing standards. All components are UL and CUL listed. RoHS compliant.
Environment: Suitable for dry or damp locations.

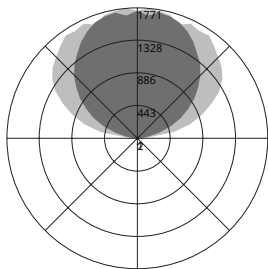
WARRANTY

Metalumen will warrant defective luminaires for 5 years from date of purchase. Warranty is valid if luminaire is installed and used according to specification. If defective, Metalumen will send replacement boards or drivers at no cost along with detailed replacement instructions and instructions on how to return defective components to Metalumen.

PHOTOMETRIC DATA - 3500K, 80 CRI

Optics Up: **Clear Optics, Angled Reflector**
 Optics Down: **Meta Ice**
 IES File: **RMEP6-2L35K-4-C-L3**
 Lumens: **6150** Wattage: **48.6**
 Efficacy: **127**

PHOTOMETRIC CURVE
 72% Up
 28% Down



ZONAL LUMEN SUMMARY

| Zone | Lumens | %Fixt |
|---------|--------|-------|
| 0-20 | 132 | 2.2 |
| 0-30 | 316 | 5.3 |
| 0-40 | 581 | 9.8 |
| 0-60 | 1199 | 20.1 |
| 0-80 | 1557 | 26.1 |
| 0-90 | 1596 | 26.8 |
| 10-90 | 1565 | 26.3 |
| 20-40 | 450 | 7.5 |
| 20-50 | 764 | 12.8 |
| 40-70 | 849 | 14.2 |
| 60-80 | 359 | 6 |
| 70-80 | 127 | 2.1 |
| 80-90 | 38 | 0.6 |
| 90-110 | 1292 | 21.7 |
| 90-120 | 2191 | 36.8 |
| 90-130 | 2963 | 49.7 |
| 90-150 | 3975 | 66.7 |
| 90-180 | 4364 | 73.2 |
| 110-180 | 3071 | 51.5 |
| 0-180 | 5959 | 100 |

COEFFICIENTS OF UTILIZATION

Zonal Cavity Method | Effective Floor Cavity Reflectance = .20

| RC | 80 | | | 70 | | | 50 | | | | | |
|-----|-----|-----|-----|-----|----|----|----|----|----|----|----|----|
| | RW | 70 | 50 | 30 | 10 | 70 | 50 | 30 | 10 | 50 | 30 | 10 |
| RCR | | | | | | | | | | | | |
| 0 | 102 | 102 | 102 | 102 | 91 | 91 | 91 | 91 | 70 | 70 | 70 | 70 |
| 1 | 92 | 88 | 84 | 81 | 82 | 79 | 75 | 72 | 61 | 59 | 57 | 57 |
| 2 | 84 | 76 | 70 | 65 | 74 | 68 | 63 | 59 | 53 | 50 | 47 | 47 |
| 3 | 76 | 67 | 59 | 54 | 67 | 60 | 54 | 49 | 46 | 42 | 39 | 39 |
| 4 | 69 | 59 | 51 | 45 | 61 | 52 | 46 | 41 | 41 | 36 | 32 | 32 |
| 5 | 63 | 52 | 44 | 38 | 56 | 46 | 40 | 34 | 36 | 31 | 27 | 27 |
| 6 | 58 | 46 | 38 | 33 | 51 | 41 | 35 | 30 | 32 | 27 | 24 | 24 |
| 7 | 53 | 41 | 34 | 28 | 47 | 37 | 30 | 26 | 29 | 24 | 20 | 20 |
| 8 | 49 | 37 | 30 | 24 | 44 | 33 | 27 | 22 | 26 | 21 | 18 | 18 |
| 9 | 46 | 34 | 26 | 21 | 41 | 30 | 24 | 20 | 24 | 19 | 16 | 16 |
| 10 | 43 | 31 | 24 | 19 | 38 | 28 | 21 | 17 | 22 | 17 | 14 | 14 |

LUMINANCE DATA (CD/M²)

| Vertical Angle | Horizontal Angle | | |
|----------------|------------------|------|------|
| | 0 | 45 | 90 |
| 45 | 1531 | 2072 | 2476 |
| 55 | 1571 | 1997 | 2371 |
| 65 | 1464 | 1739 | 2028 |
| 75 | 1245 | 1241 | 1391 |
| 85 | 747 | 549 | 524 |

CANDELA DISTRIBUTION

| Vertical Angle | Horizontal Angle | | | | |
|----------------|------------------|------|-----|------|------|
| | 0 | 22.5 | 45 | 67.5 | 90 |
| 0 | 310 | 310 | 310 | 310 | 310 |
| 10 | 305 | 322 | 334 | 348 | 353 |
| 20 | 313 | 341 | 384 | 420 | 445 |
| 30 | 304 | 351 | 418 | 484 | 515 |
| 40 | 299 | 342 | 432 | 504 | 537 |
| 50 | 257 | 307 | 389 | 453 | 486 |
| 60 | 205 | 233 | 300 | 345 | 369 |
| 70 | 128 | 144 | 181 | 207 | 222 |
| 80 | 53 | 59 | 70 | 78 | 80 |
| 90 | 26 | 18 | 11 | 14 | 22 |
| 100 | 211 | 531 | 809 | 1063 | 1204 |
| 110 | 270 | 614 | 998 | 1211 | 1269 |
| 120 | 304 | 604 | 966 | 1213 | 1300 |
| 130 | 312 | 575 | 875 | 1087 | 1159 |
| 140 | 302 | 515 | 767 | 943 | 998 |
| 150 | 279 | 446 | 632 | 769 | 814 |
| 160 | 259 | 364 | 488 | 581 | 600 |
| 170 | 219 | 282 | 346 | 386 | 396 |
| 180 | 219 | 219 | 219 | 219 | 219 |

OPTICS DISTRIBUTION SUMMARY

| Cross Section | Part Number | Delivered Lumens | Input Wattage | Efficacy | Direct Lumens | Direct % | Indirect Lumens | Indirect % | Distribution Photometry |
|---------------|-----------------------------|------------------|---------------|----------|---------------|----------|-----------------|------------|-------------------------|
| | RMEP8-2L35K-4-C-XX-L1X-XX-X | 3736 | 27.8 | 135 | 0 | 0 | 3736 | 100 | |
| | RMEP8-2L35K-4-C-XX-L2X-XX-X | 4607 | 35.4 | 130 | 0 | 0 | 4607 | 100 | |
| | RMEP8-2L35K-4-C-XX-L3X-XX-X | 6150 | 48.6 | 127 | 0 | 0 | 6150 | 100 | |
| | RMEP8-2L35K-4-C-XX-L4X-XX-X | 11332 | 97.2 | 117 | 0 | 0 | 11332 | 100 | |