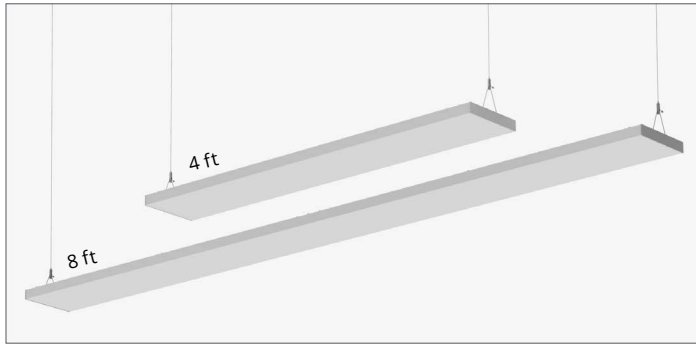


STAIL RMEP8

LED . PENDANT . INDIRECT



PART #:	
PREP BY:	DATE:
PROJECT:	
NOTES:	
APPROVAL SIGNATURE:	DATE (DD/MM/YYYY):

PERFORMANCE SUMMARY @ 3500K		LIGHT LEVEL L3
Lumens	80 CRI	6150
	90 CRI	5381
Distribution % (Up / Down)		100 / 0
Wattage		48.3
Efficacy	80 CRI	127
	90 CRI	111
L70 Estimate (h)		≥ 60,000 hrs

See page 2 for the complete Light Level Performance chart.

FEATURES

- Efficacy up to 135 LPW
- 100% indirect distribution
- Suitable for dry or damp locations

ORDERING LOGIC

Example Part Number: RMEP8-2L35K-8-C-WT-L31-PA18-1-D-90

RMEP8			C							
1	2	3	4	5	6	7	8	9	10	11
1. SERIES RMEP8	2. COLOR TEMP 2L30K 3000K 2L35K 3500K 2L40K 4000K <small>90 CRI is available under OPTIONS</small>	3. LENGTH 4 4 ft 8 8ft RA Continuous Rows Replace "A" with length in feet selected on p2	4. OPTICS C UP: Clear Optics, 100% Indirect	5. FINISH SG Silver / Grey Textured Coat WT White Textured C Custom Finish Specify RAL:	6. LIGHT LEVEL/DRIVER L1 Select Driver below. L2 L3 See Light Level Performance chart on p2. L4	7. CIRCUITRY 1 1 Circuit EM Emergency / Night Light * B Emergency Battery Pack **	8. MOUNTING PAA Pendant Aircraft Cable PTA Pendant Aircraft Cable for T-bar Replace "A" with length (inches) selected below. Select Aircraft Cable Length, Canopy Finish & Power Cord Color below	9. VOLTAGE 1 120V 2 277V 4 UNV (120 - 277V)	10. CONTROLS / SENSORS _ None (leave space empty) D Wattstopper Daylight Sensor O Wattstopper Occupancy Sensor DO Wattstopper Daylight and Occupancy Sensor	11. OPTIONS 90 90 CRI, High R9 - None (leave space empty)

*Two wire entries required. | **Battery operates 4ft sections only.

Select Driver:

- Factory option 0-10V (Standard)
- Factory option 1% dimming
- LHE** Lutron H-Series Hi-lume 1% EcoSystem LED Driver
- LA2** Lutron A-Series Hi-lume 1% 2-wire LED Driver
- LSE** Lutron S-Series EcoSystem LED Driver

Select Aircraft Cable Length:

Total adjustment range is 6" up & down for each standard length. All other lengths are considered custom unless otherwise stated.

Select:	Imperial (in)	Metric (mm)	Select:	Imperial (in)	Metric (mm)
<input type="checkbox"/>	12	305	<input type="checkbox"/>	54	1372
<input type="checkbox"/>	18	460	<input type="checkbox"/>	60	1525
<input type="checkbox"/>	24	610	<input type="checkbox"/>	72	1830
<input type="checkbox"/>	30	760	<input type="checkbox"/>	96	2440
<input type="checkbox"/>	36	915	<input type="checkbox"/>	120	3050
<input type="checkbox"/>	42	1067	<input type="checkbox"/>	144	3660
<input type="checkbox"/>	48	1220	<input type="checkbox"/>	Custom Length:	_____

Select Canopy Finish:

Canopy	
<input type="checkbox"/>	White
<input type="checkbox"/>	Custom Finish
	RAL: _____

Light Level Performance

3500K, 80 CRI, 0-10V Dimming (Standard)


Light Level	Lumens	Wattage	Efficacy
L1	3736	27.8	135
L2	4607	35.4	130
L3	6150	48.3	127
L4	11332	97.2	117

Lumen Adjustment Factor

Color Temp	80 CRI	90 CRI
3000K	0.984	0.880
3500K	1.000	0.875
4000K	1.032	0.879

CONTINUOUS ROWS

Step 1) Indicate desired quantity of rows under the QTY column

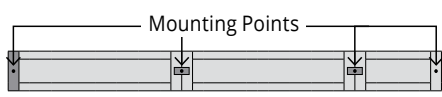
Step 2)  If applicable, select pod(s) per row to indicate desired Emergency lighting location. If a similar row requires a different Emergency lighting location, please fill out another sheet.

Record drawings for rows not represented here will be sent out upon order.


QTY	Nominal Length	Run Length Overall	Alone / Start Length	Mid Length(s)	End Length	Diagram
	4'	1240 [48.8]	4			
	8'	2480 [97.6]	8			
	12'	3719 [146.4]	8	4		
	16'	4959 [195.2]	8	8		
	20'	6199 [244.1]	8	8	4	
	24'	7439 [292.9]	8	8	8	
	28'	8679 [341.6]	8	8 (x2)	4	
	32'	9918 [390.5]	8	8 (x2)	8	
	36'	11158 [439.3]	8	8 (x3)	4	
	40'	12398 [488.1]	8	8 (x3)	8	
	44'	13638 [536.9]	8	8 (x4)	4	
	48'	14878 [585.7]	8	8 (x4)	8	

LEGEND

- Standard (STD) Wire Entry Location
- Emergency (EM) / Night Light Location
- EM or Battery Wire Entry Location



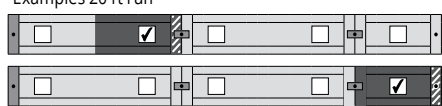
Mounting Points



A = Distance Between Mounting Points

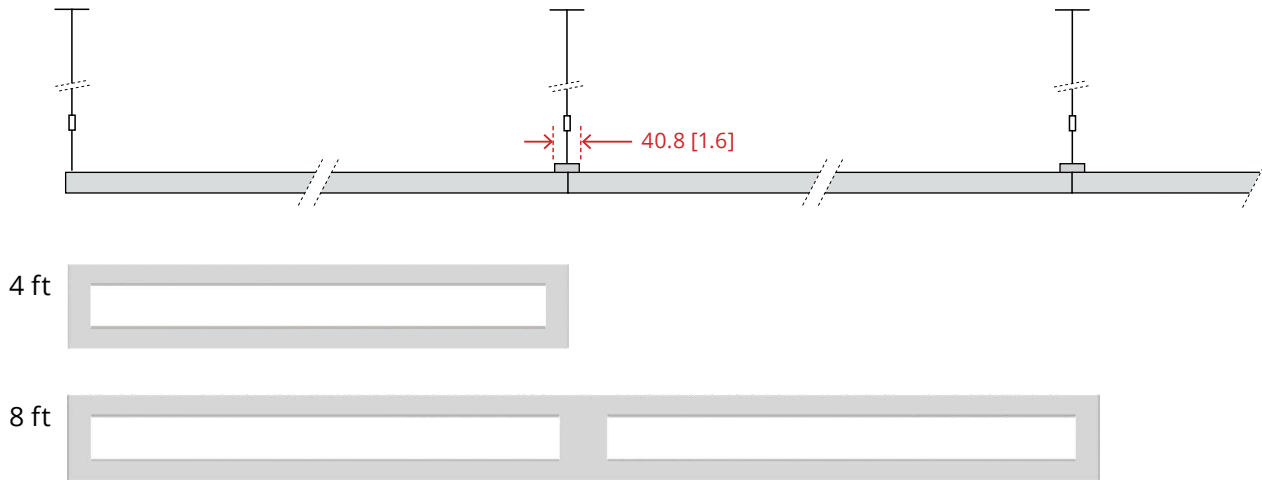
EM / Night Light and EM or Battery Wire Entry location in relation to pod selections:

Examples 20 ft run



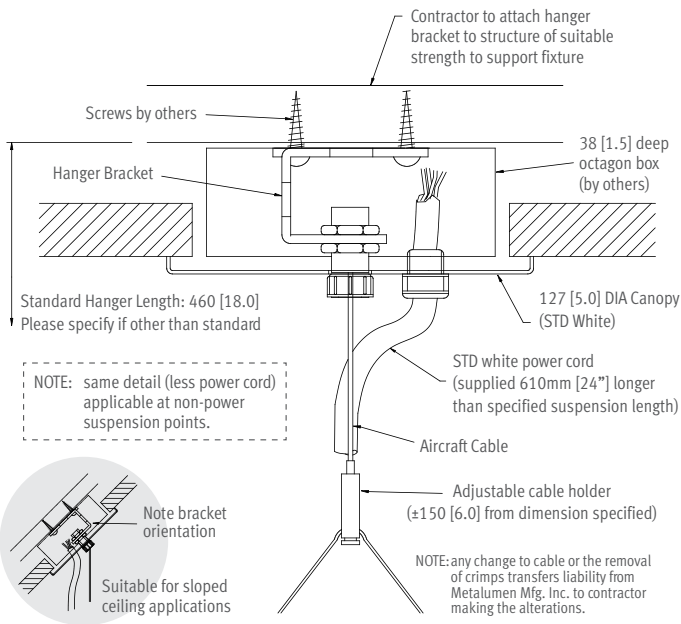
Refer to page 3 for Hanger information

CONTINUOUS ROWS (continued)

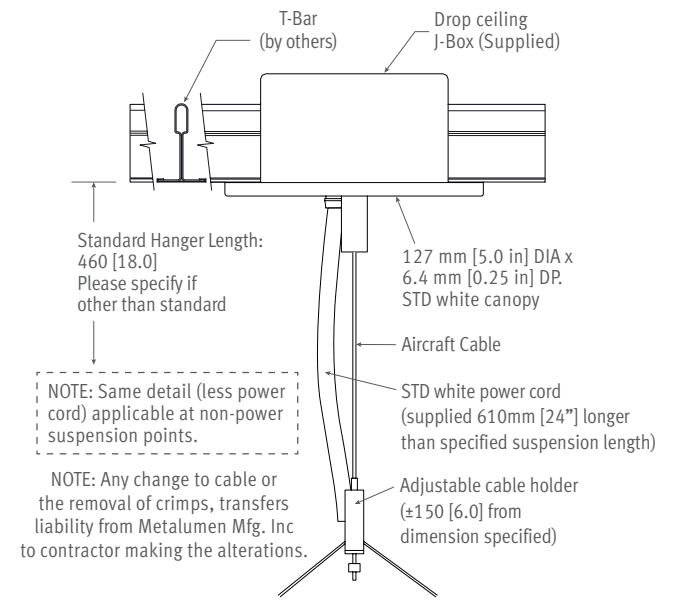


HANGER

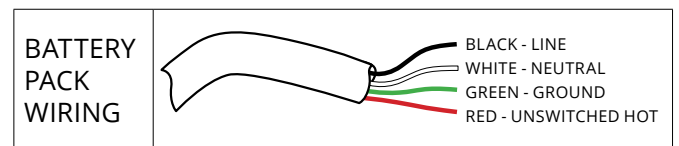
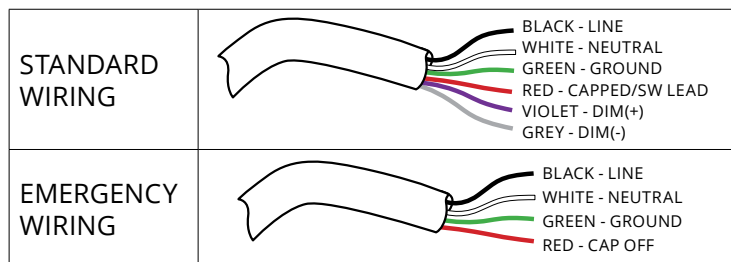
Aircraft Cable & Cord



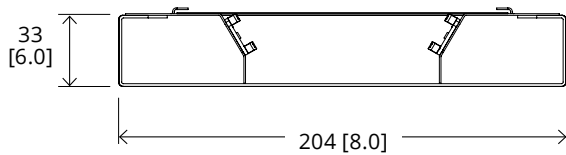
T-Bar Aircraft Cable & Cord



WIRING



CROSS SECTIONS



SPECIFICATIONS

Due to the Continuous Improvement Policy at Metalumen, we reserve the right to change our specifications without notice.

Housing: Cold rolled steel body fabrication, 0.91mm (20 Ga.) wall thickness.
Optical System: MetaLED mid flux LED technology.
CRI: Minimum 83 CRI at 3500K.
Lumen Maintenance: At an ambient operating temperature of 25°C the LED

lifetime expectancy ≥ 60 000hrs at L70.
Finish: Silver/grey textured and white are standard finishes. For custom finish, contact factory.
Weight: 1.8 kg/300mm [4 lb/ft]
Mounting: Aircraft cable with Quick-Grip field adjustable suspension system provides for quick and easy

onsite alignment.
Electrical: Factory prewired with easy wire quick connect sections.
Drivers: Metalumen offers dimming drivers as a standard on our entire LED product offering at 0-10V. Dimming range is 10%-100%. Power factor is >90%. Class 2 rating.

Approvals: Certified to NRTL and IES testing standards. All components are UL and CUL listed. RoHS compliant.
Environment: Suitable for dry or damp locations.

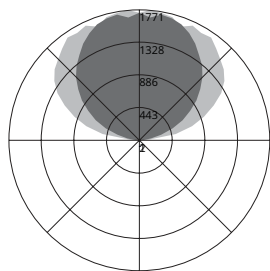
WARRANTY

Metalumen will warrant defective luminaires for 5 years from date of purchase. Warranty is valid if luminaire is installed and used according to specification. If defective, Metalumen will send replacement boards or drivers at no cost along with detailed replacement instructions and instructions on how to return defective components to Metalumen.

PHOTOMETRIC DATA - 3500K, 80 CRI

Optics Up: **Clear Optics, Angled Reflector**
 Optics Down: **No Optics (Solid Body)**
 IES File: **RMEP6-2L35K-4-C-L3**
 Lumens: **6150** Wattage: **48.3**
 Efficacy: **127 lm/W**

PHOTOMETRIC CURVE
 100% Up
 0% Down



ZONAL LUMEN SUMMARY

Zone	Lumens	%Fixt
0-20	0	0
0-30	0	0
0-40	0	0
0-60	0	0
0-80	0	0
0-90	0	0
10-90	0	0
20-40	0	0
20-50	0	0
40-70	0	0
60-80	0	0
70-80	0	0
80-90	0	0
90-110	752	12.2
90-120	1653	26.9
90-130	2720	44.2
90-150	4758	77.3
90-180	6154	100
110-180	5402	87.8
0-180	6154	100

COEFFICIENTS OF UTILIZATION

Zonal Cavity Method | Effective Floor Cavity Reflectance = .20

RC	80				70				50			
	RW	70	50	30	10	70	50	30	10	50	30	10
RCR												
0	95	95	95	95	81	81	81	81	56	56	56	56
1	87	83	79	76	74	71	68	65	48	47	45	45
2	79	72	66	62	67	62	57	53	42	40	37	37
3	72	63	56	51	61	54	49	44	37	34	31	31
4	65	56	48	43	56	48	42	37	33	29	26	26
5	60	49	42	36	51	42	36	32	29	25	22	22
6	55	44	36	31	47	38	32	27	26	22	19	19
7	50	39	32	27	43	34	28	23	23	19	17	17
8	47	35	28	23	40	30	24	20	21	17	14	14
9	43	32	25	20	37	28	22	18	19	15	13	13
10	40	29	22	18	34	25	19	16	17	14	11	11

LUMINANCE DATA (CD/M²)

Vertical Angle	Horizontal Angle		
	0	45	90
45	0	0	0
55	0	0	0
65	0	0	0
75	0	0	0
85	0	0	0

CANDELA DISTRIBUTION

Vertical Angle	Horizontal Angle				
	0	22.5	45	67.5	90
0	0	0	0	0	0
10	0	0	0	0	0
20	0	0	0	0	0
30	0	0	0	0	0
40	0	0	0	0	0
50	0	0	0	0	0
60	0	0	0	0	0
70	0	0	0	0	0
80	0	0	0	0	0
90	5	3	1	1	1
100	162	262	375	475	503
110	482	582	783	904	935
120	799	878	1099	1251	1281
130	1081	1130	1333	1467	1497
140	1322	1356	1451	1597	1624
150	1515	1519	1557	1652	1682
160	1672	1659	1641	1663	1640
170	1729	1712	1728	1709	1751
180	1729	1729	1729	1729	1729

OPTICS DISTRIBUTION SUMMARY

Cross Section	Part Number	Delivered Lumens	Input Wattage	Efficacy (lm/W)	Direct Lumens	Direct %	Indirect Lumens	Indirect %	Distribution Photometry
	RMEP8-2L35K-4-C-XX-L1X-XX-X	3736	27.8	135	0	0	3736	100	
	RMEP8-2L35K-4-C-XX-L2X-XX-X	4607	35.4	130	0	0	4607	100	
	RMEP8-2L35K-4-C-XX-L3X-XX-X	6150	48.3	127	0	0	6150	100	
	RMEP8-2L35K-4-C-XX-L4X-XX-X	11332	97.2	117	0	0	11332	100	