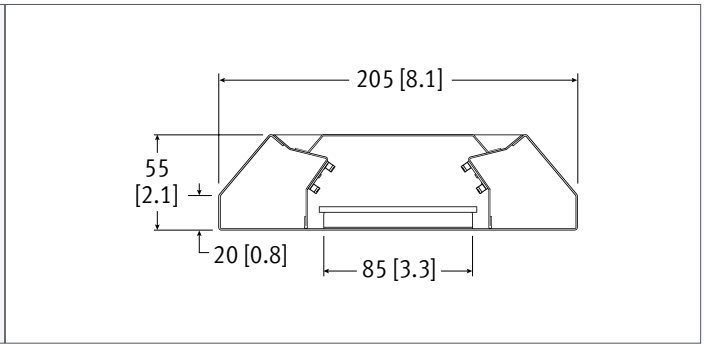
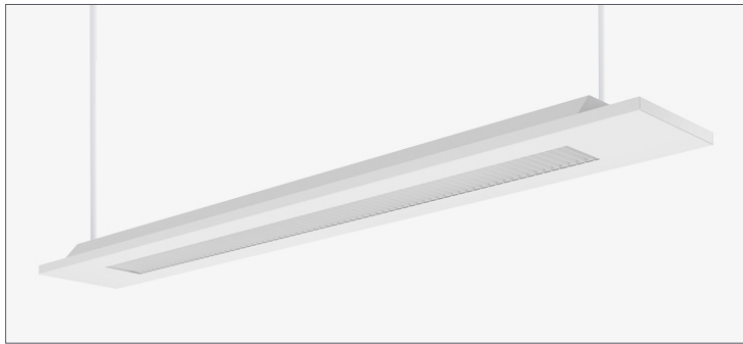


PLANAR S2E

LED . DIRECT / INDIRECT



PART #:	
PREP BY:	DATE:
PROJECT:	QTY:
NOTES:	
APPROVAL SIGNATURE:	DATE (DD/MM/YYYY):



ORDERING LOGIC

Example Part Number: S2E-2L35K-4-SBO-W-L3-1-PA18-1

S2E	SBO											
1	2	3	4	5	6	7	8	9	10	12		
1. SERIES S2E	2. COLOR TEMP 2L30K 3000K 2L35K 3500K 2L40K 4000K	3. LENGTH 4 4 ft 8 8 ft RA Continuous Rows Replace "A" with length in feet		4. OPTICS UP C Clear Dust Cover - Open Top (Leave space empty)		5. OPTICS DOWN SBO Solid Cross Blade Baffle w/ Opal Overlay			6. FINISH W White C Custom Finish Specify RAL:			
7. LIGHT LEVEL / DRIVER L1 2967 lm L2 3780 lm L3 5419 lm L4 10386 lm		8. CIRCUITRY 1 1 Circuit EM Emergency/Night Light B Emergency Battery Pack		9. MOUNTING PAA Pendant Aircraft Cable PTA Pendant Aircraft Cable for T-bar SSA Solid Stem Replace "A" with length (inches) selected below. Select Hanger Length and Hanger Finish below			10. VOLTAGE 1 120V 2 277V 3 347V 4 UNV (120 - 277V)		11. CONTROLS / SENSORS D Daylight Sensor O Occupancy Sensor DO Daylight/Occupancy Sensor - None (leave space empty)			

- Select Driver:
- Factory option 0-10V, 1% Dimming
 - LHE Lutron H-Series Hi-lume 1% EcoSystem LED Driver
 - L5E Lutron 5-Series EcoSystem LED Driver

Select Hanger Length:

SOLID STEM 1/2" OD Standard		
Standard supplied length is 18" (460mm). Hangers will be supplied at closest length. All other lengths are considered custom unless otherwise stated.		
Select:	Imperial (in)	Metric (mm)
<input type="checkbox"/>	12	305
<input type="checkbox"/>	15	380
<input type="checkbox"/>	18	460
<input type="checkbox"/>	21	533
<input type="checkbox"/>	24	610
<input type="checkbox"/>	27	685
<input type="checkbox"/>	30	760
<input type="checkbox"/>	33	840
<input type="checkbox"/>	36	915
<input type="checkbox"/>	39	990
<input type="checkbox"/>	42	1067
<input type="checkbox"/>	45	1145
<input type="checkbox"/>	48	1220
<input type="checkbox"/>	Custom Length:	_____

AIRCRAFT CABLE		
Total adjustment range is 6" up & down for each standard length. All other lengths are considered custom unless otherwise stated. If no selection is made, 48" will be supplied.		
Select:	Imperial (in)	Metric (mm)
<input type="checkbox"/>	12	305
<input type="checkbox"/>	18	460
<input type="checkbox"/>	24	610
<input type="checkbox"/>	30	760
<input type="checkbox"/>	36	915
<input type="checkbox"/>	42	1067
<input type="checkbox"/>	48	1220
<input type="checkbox"/>	54	1372
<input type="checkbox"/>	60	1525
<input type="checkbox"/>	72	1830
<input type="checkbox"/>	96	2440
<input type="checkbox"/>	120	3050
<input type="checkbox"/>	144	3660
<input type="checkbox"/>	Custom Length:	_____

Select Canopy Finish:

Select:	Canopy
<input type="checkbox"/>	White Paint (Standard)
<input type="checkbox"/>	Custom Finish
	RAL: _____

Light Level Performance

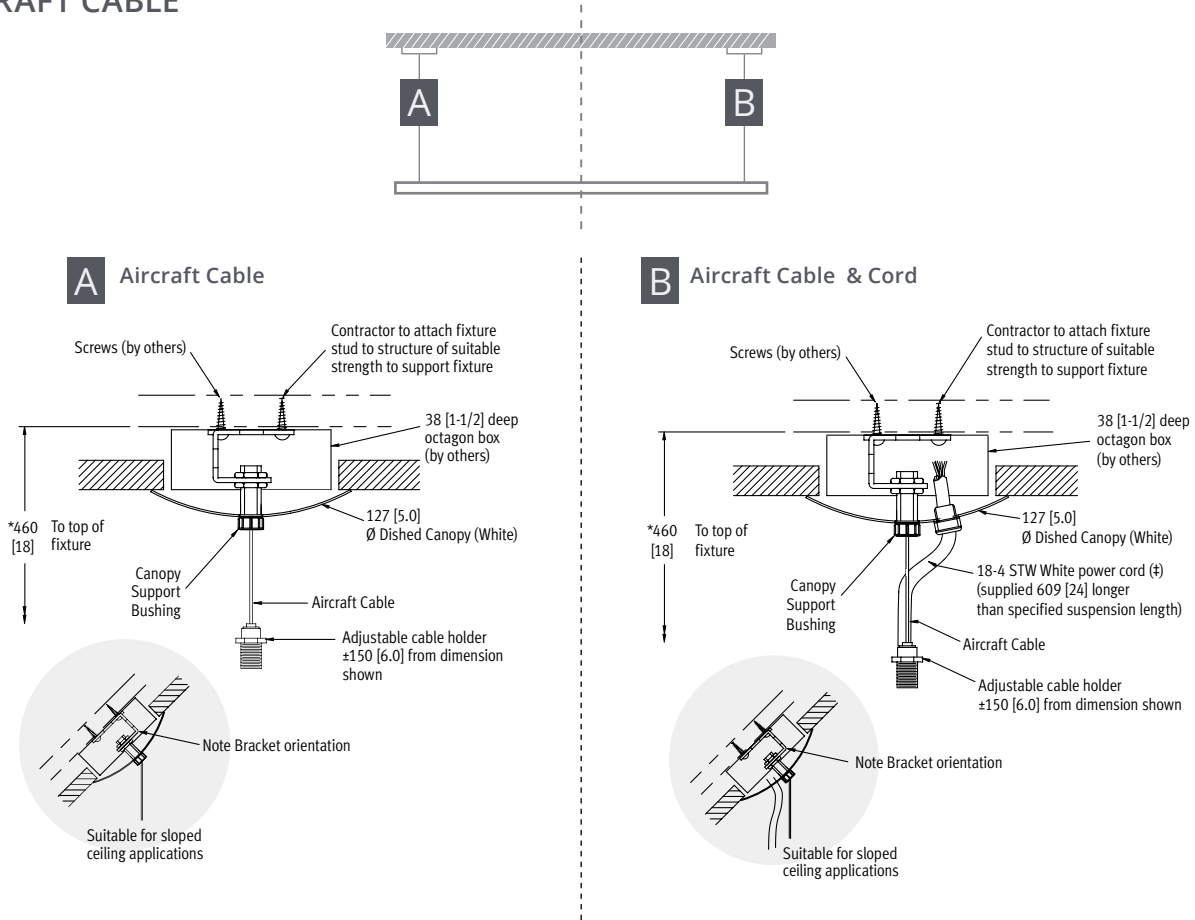
Light Level	Lumens	Wattage	Efficacy (LPW)
L1	2967	27	109
L2	3780	35	109
L3	5419	48	113
L4	10386	96	109

Color Temp	80 CRI	90 CRI
3000K	0.984	0.880
3500K	1.000	0.875
4000K	1.032	0.879

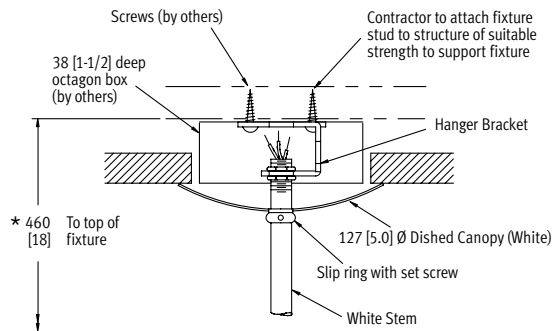
Metalumen's light level performance metrics are subject to manufacturers component tolerances.

HANGER INFORMATION

AIRCRAFT CABLE



SOLID STEM



SPECIFICATIONS

Due to the Continuous Improvement Policy at Metalumen, we reserve the right to change our specifications without notice.

Housing: precision manufactured of die formed, post painted 20-gauge steel.

Optical System: Metalumen luminaires are designed to utilize leading edge LED technology combined with luminaire optimized reflectors and our custom diffusers, resulting in industry leading optical performance.

CRI: 83+ for 3500K, 80 minimum for all

CCTs in standard configurations.

Lumen Maintenance: At an ambient operating temperature of 25°C the LED lifetime expectancy ≥ 50 000hrs at L70.

Finish: White textured polyester powder coated paint with 91% reflectance is the standard finish.

Weight: 2.52 kg/300mm [5.62 lb/ft]

Mounting: Solid stem 13mm (1/2") OD or steel aircraft cable complete with a Quick-Grip field adjustable suspension

system provides for quick and easy on site alignment (contact factory for custom lengths).

Electrical: Factory prewired with easy wire quick connect sections.

Drivers: Metalumen offers 0-10V dimming* as a standard on our entire LED product offering. Dimming range is 1%-100%. Power factor is > 90%. Class 2 rating.

Approvals: All components are UL

Recognized or Listed. RoHS compliant. cULus listed.

Environment: Suitable for dry locations.

**Standard drivers compatible with passive/sinking dimmers. Please contact Metalumen if active/sourcing dimmer support is required.*

WARRANTY

Metalumen will warrant defective luminaires for 5 years from date of purchase. Warranty is valid if luminaire is installed and used according to specification. If defective, Metalumen will send replacement boards or drivers at no cost along with detailed replacement instructions and instructions on how to return defective components to Metalumen.

PHOTOMETRIC DATA - 3500K, 80 CRI

Optics Up: **None**

Optics Down: **Solid Cross Blad Baffle with Opal Overlay**

IES File: **S2E-2L35K-4-SBO-L3**

Lumens: **5419** Wattage: **48**

Efficacy: **113 LPW**

ZONAL LUMEN SUMMARY

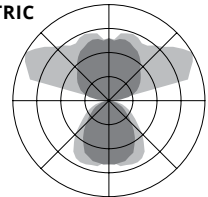
Zone	Lumens	%Fixt
0-90	1793	33
90-180	3630	67
0-180	5423	100

LUMINANCE DATA (CD/M2)

Vertical Angle	Horizontal Angle		
	0	45	90
45	1565	1513	1888
55	1275	1111	1432
65	1149	827	1200
75	949	612	945
85	496	233	386

PHOTOMETRIC CURVE

67% Up
33% Down



Photometric performance is measured and scaled in accordance with IESNA LM-79.