

**NOTE:** The following instructions provide general guidelines for product installation. These instructions apply to the S6 sized fixtures. For additional information consult the applicable electrical codes or contact factory directly for support before attempting anything with uncertainty.

**CAUTION:** Do not assemble fixture runs on floor.

**WARNING:** Risk of fire and electrical shock. DISCONNECT POWER AT ELECTRICAL PANEL before installing or servicing this product.

### GENERAL SAFETY INSTRUCTIONS:

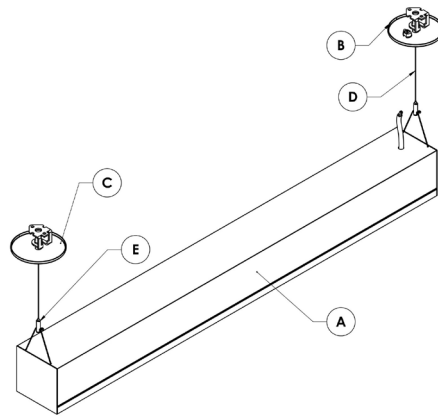
1. Read all instructions prior to installing this fixture.
2. This product must be installed in accordance with the applicable installation code by a person familiar with the construction and operation of the product and the hazards involved.
3. All wiring must be performed by a qualified electrician in accordance with national and local building and electrical codes.
4. This fixture must be suitably grounded for your protection against shock hazards and to assure proper operation.
5. Make sure that the power source conforms to the requirements of this fixture.
6. This product has accessible output terminals. Based on Canadian Electrical Code for class 2 circuits, this product requires installation in Restricted Access Area, so that no live parts are accessible to unauthorized persons.

Specifications and design subject to change without notice.

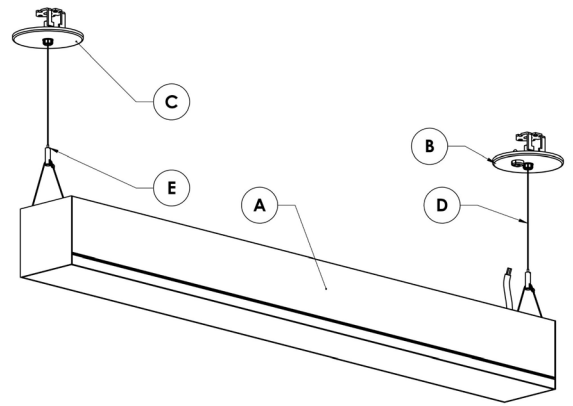
PARTS LIST

- A. Luminaire
- B. Wire Entry Canopy
- C. Non-Wire Entry Canopy
- D. Aircraft Cable
- E. Gripper

TOP VIEW



BOTTOM VIEW



WIRING DIAGRAM

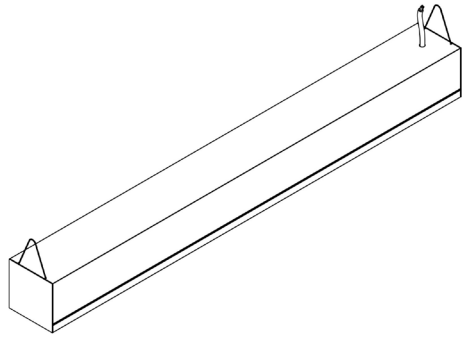
INTEGRAL DRIVER TO LINE VOLTAGE

WIRE ENTRY (18-6)

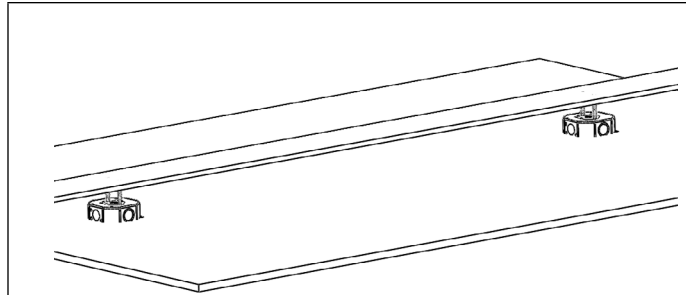


Specifications and design subject to change without notice.

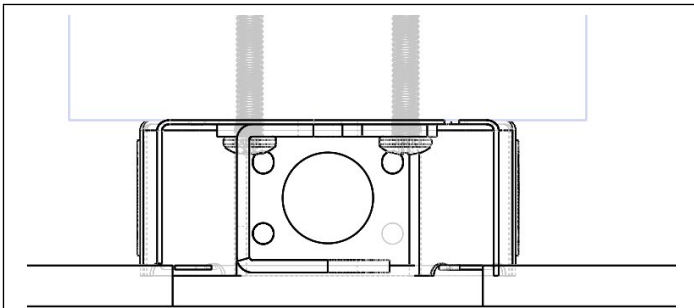
STEP-BY-STEP INSTALLATION INSTRUCTIONS



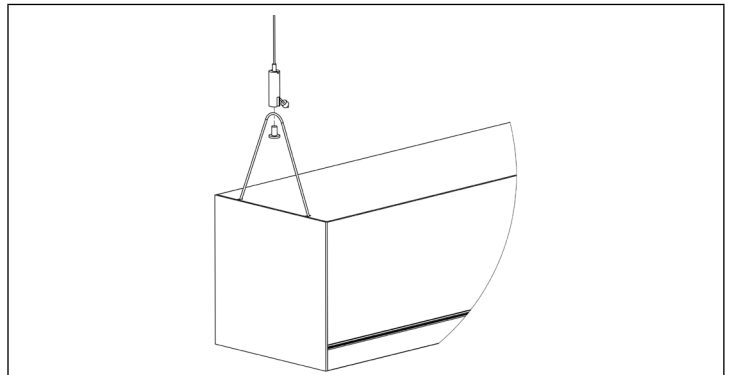
**STEP 1.** Remove fixture and hanger kit packaging; note power cord coming out at the top of the luminaire (one end only)



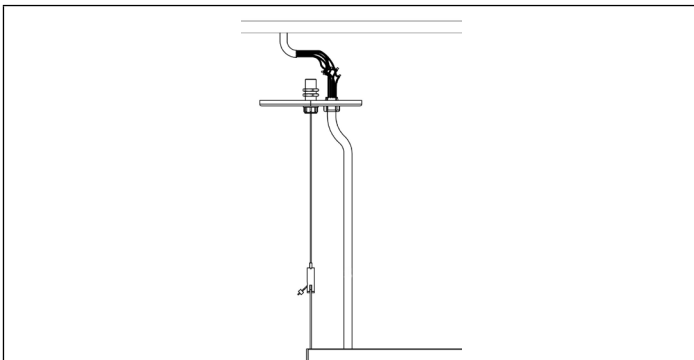
**STEP 2.** Secure Hex-Box (supplied by others) to a structure of suitable strength to support the fixture.



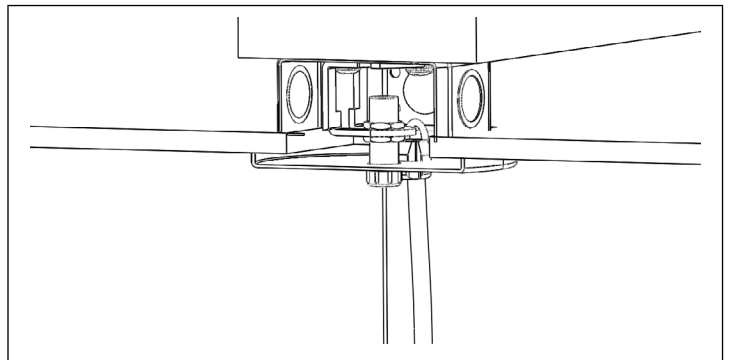
**STEP 3.** Secure hanger bracket to the hex box.



**STEP 4.** Connect gripper to fixture. Adjust height of fixture by pushing and pulling cable through gripper.



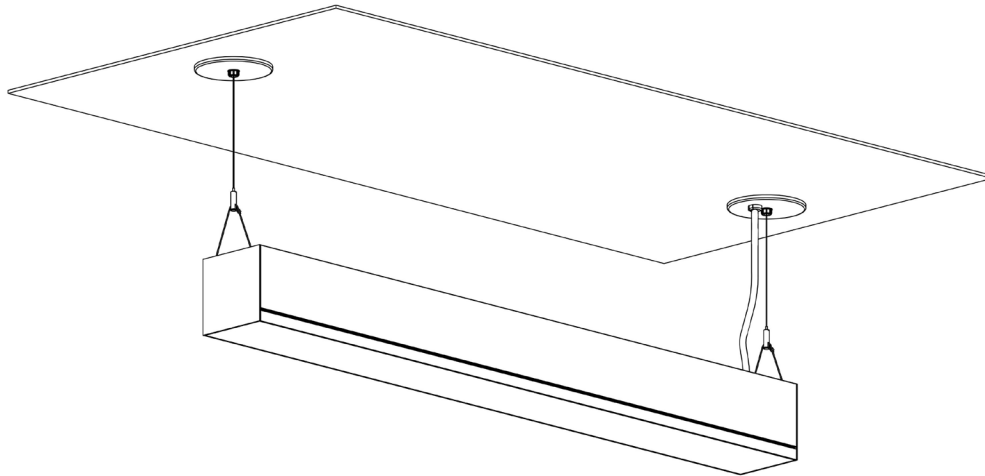
**STEP 5.** Wire fixture to line voltage as per wiring diagram. **For Grid, cable is fed through the hole in the provided wire entry corner piece.**



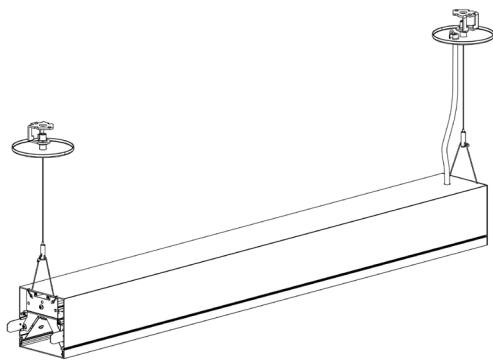
**STEP 6.** Secure canopy to ceiling.

Specifications and design subject to change without notice.

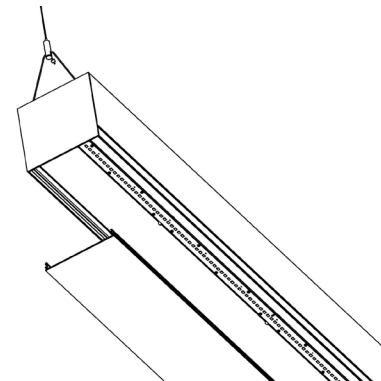
STEP-BY-STEP INSTALLATION INSTRUCTIONS



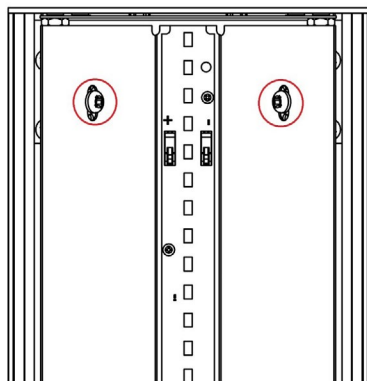
**STEP 7.** Example of completed fixture.



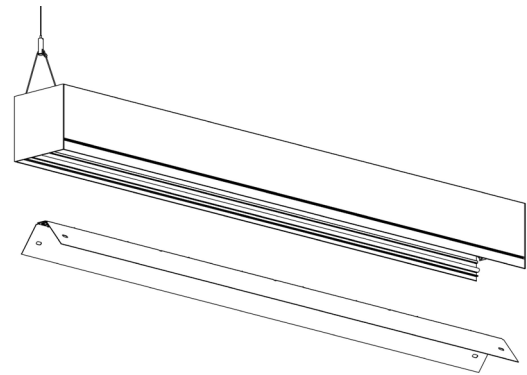
**STEP 8.** For continuous runs, install Start fixture first. (As per Steps 1 to 7)



**STEP 9.** Remove the lens from the mid/end unit.



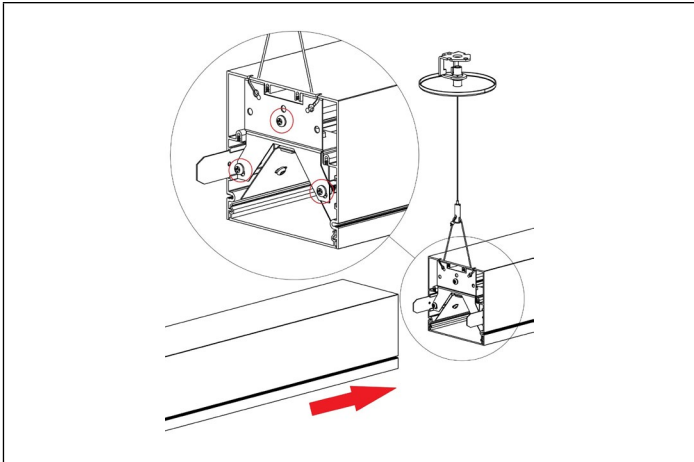
**STEP 10.** Unscrew the reflector assembly inside the mid/end unit.



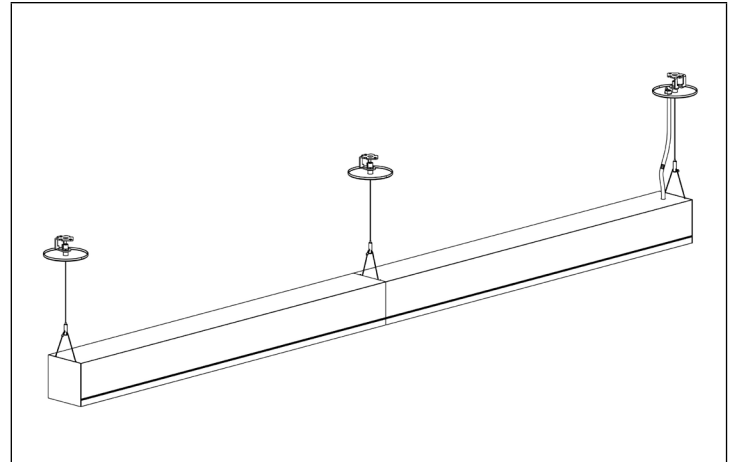
**STEP 11.** Remove reflector assembly from mid/end unit.

Specifications and design subject to change without notice.

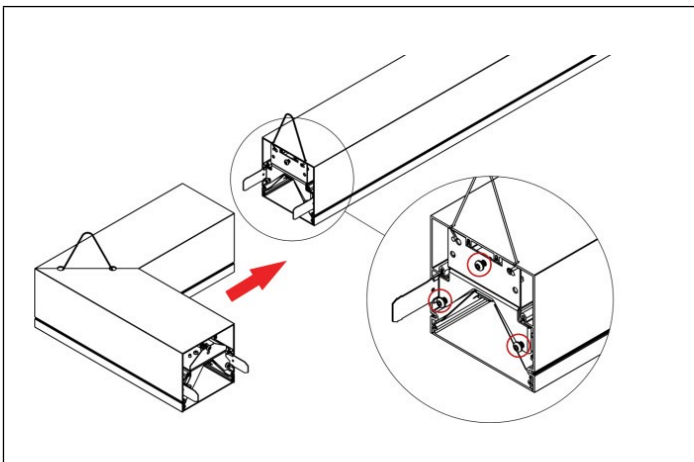
STEP-BY-STEP INSTALLATION INSTRUCTIONS



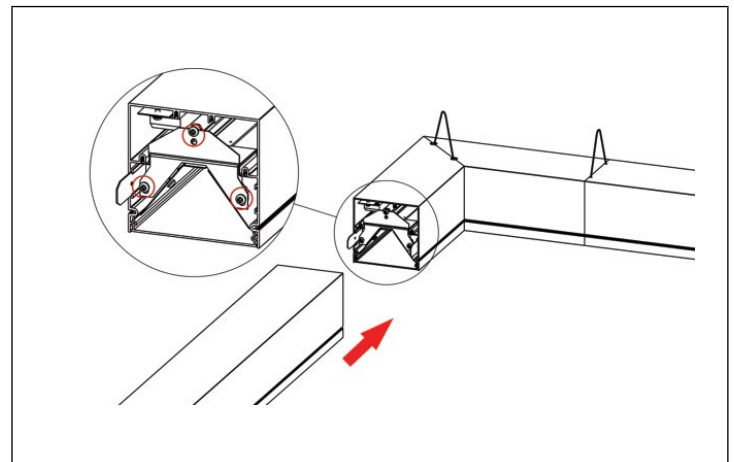
**STEP 12.** Align mid/end fixture and slide it into place. Secure with screws. Reinstall reflector assembly and lens in mid/end. Perform necessary wiring between fixtures.



**STEP 13.** Example of completed continuous run.



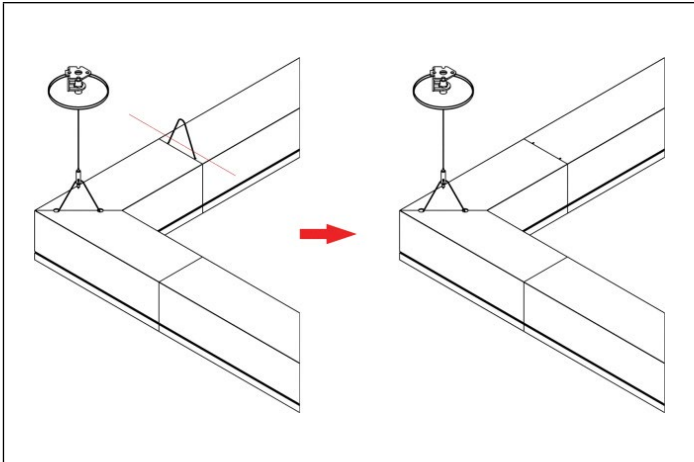
**STEP 14.** For corners, remove the lens and reflector pairs from the corner unit (see steps 9-11). Attach the corner to the preceding unit joiner brackets using 3 screws.



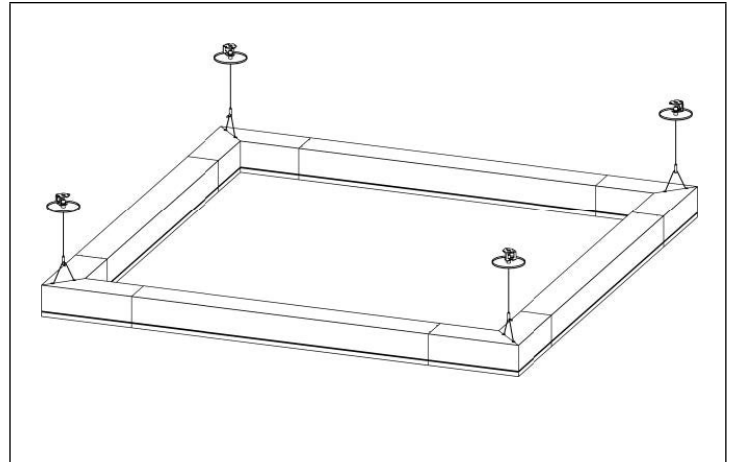
**STEP 15.** Attach the next mid/end unit to the corner unit (see steps 9-12). Connect wires between fixtures as per the wiring diagram. Reinstall the reflector and lens in corner.

Specifications and design subject to change without notice.

STEP-BY-STEP INSTALLATION INSTRUCTIONS



**STEP 16.** Cut off extra hangers at the corner joint from adjacent linear units. Keep cuts clean and close to fixture body. Hang the assembly from the corner unit hangers (see steps 2-6).



**STEP 17.** Example of completed grid.

Specifications and design subject to change without notice.

## MAINTENANCE STEPS

### Required Tools

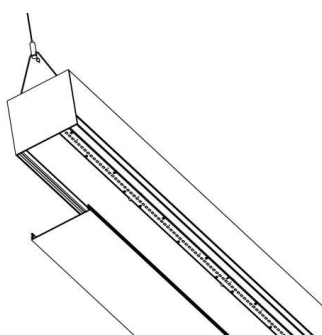
Plastic / Latex  
Gloves



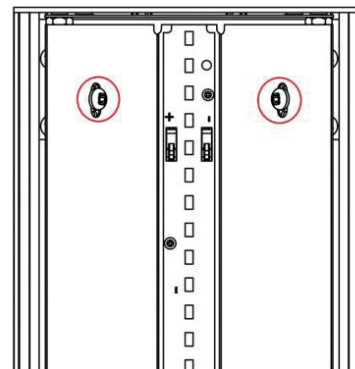
Screwdriver



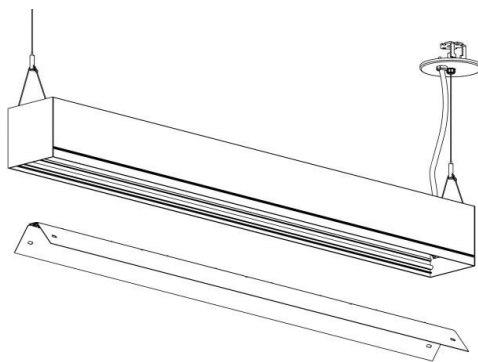
**Important:** Use clean gloves to avoid adding oil/dirt to reflector surface. Avoid scratching reflector surface by using installation tools with soft plastic rounded edges.



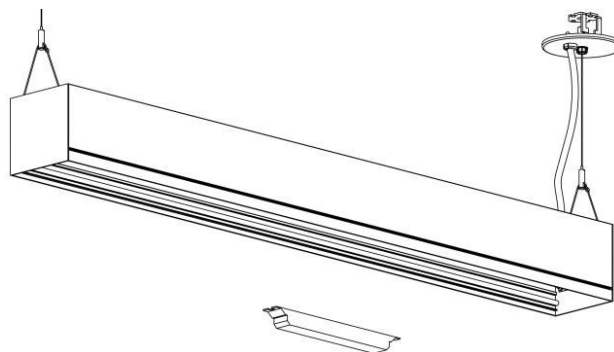
**STEP 1.** For LED board maintenance, remove the lens from the bottom of the unit.



**STEP 2.** For driver maintenance, first unscrew the reflector assembly.



**STEP 3.** Remove reflector assembly from unit.



**STEP 4.** Remove and service driver as required.

Specifications and design subject to change without notice.