

NOTE: The following instructions provide general guidelines for product installation. These instructions apply to the S6 sized fixtures. For additional information consult the applicable electrical codes or contact factory directly for support before attempting anything with uncertainty.

WARNING: Risk of fire and electrical shock. **DISCONNECT POWER AT ELECTRICAL PANEL** before installing or servicing this product.

GENERAL SAFETY INSTRUCTIONS:

1. Read all instructions prior to installing this fixture.
2. This product must be installed in accordance with the applicable installation code by a person familiar with the construction and operation of the product and the hazards involved.
3. All wiring must be performed by a qualified electrician in accordance with national and local building and electrical codes.
4. This fixture must be suitably grounded for your protection against shock hazards and to assure proper operation.
5. Make sure that the power source conforms to the requirements of this fixture.
6. This product has accessible output terminals. Based on Canadian Electrical Code for class 2 circuits, this product requires installation in Restricted Access Area, so that no live parts are accessible to unauthorized persons.

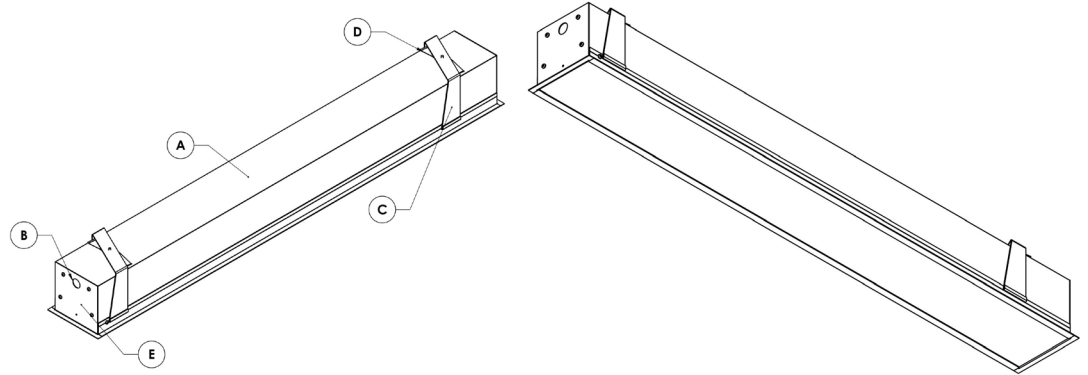
Specifications and design subject to change without notice.

PARTS LIST

- A. Luminaire
- B. Wire Entry Knockout
- C. Drywall Bracket
- D. Spring Clip
- E. End Plate

TOP VIEW

BOTTOM VIEW



WIRING DIAGRAM

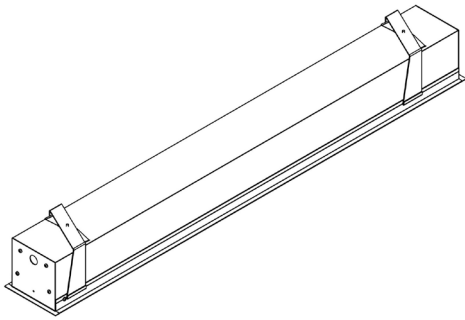
INTEGRAL DRIVER TO LINE VOLTAGE

WIRE ENTRY 5 LEADS

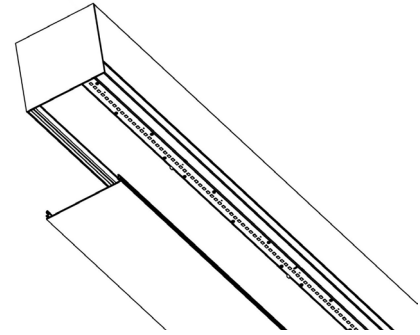


Specifications and design subject to change without notice.

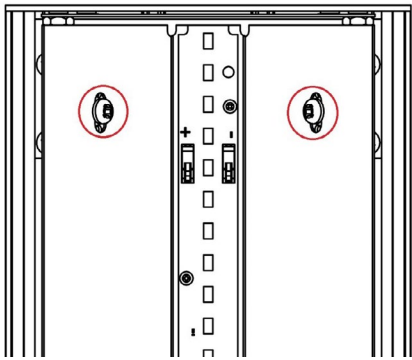
STEP-BY-STEP INSTALLATION INSTRUCTIONS



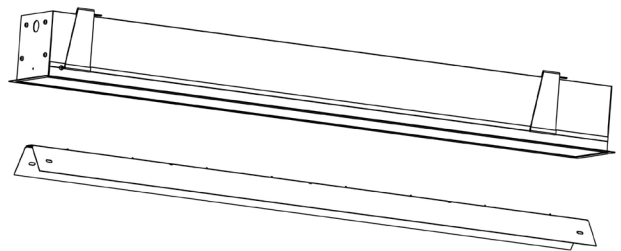
STEP 1. Remove fixture packaging.



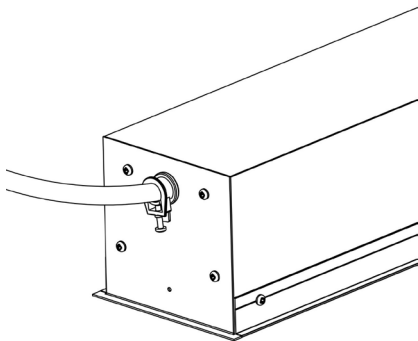
STEP 2. Remove the lens from the unit.



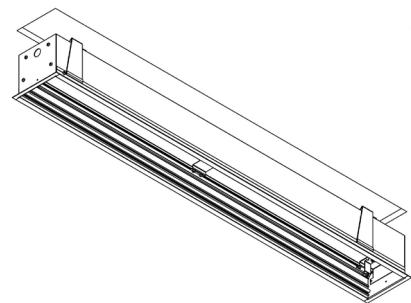
STEP 3. Unscrew the reflector assembly.



STEP 4. Remove reflector assembly.



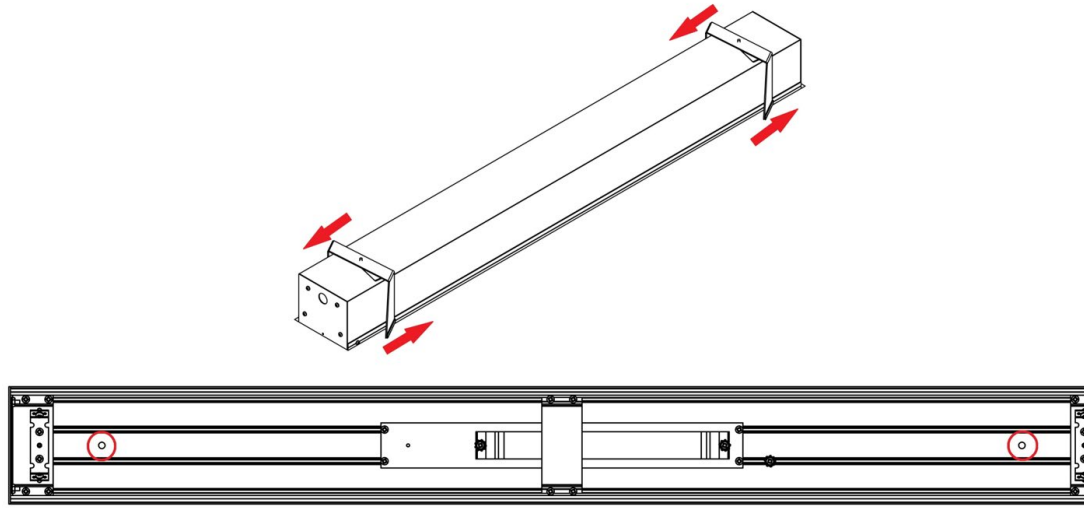
STEP 5. Knock out and install BX connector (Supplied by others). Feed BX cable (supplied by others) through connector and end plate. Tighten BX connector screw cable to wire entry plate. Reinstall reflector and lens. **For a grid, feed cable through the hole in the provided wire entry corner piece.**



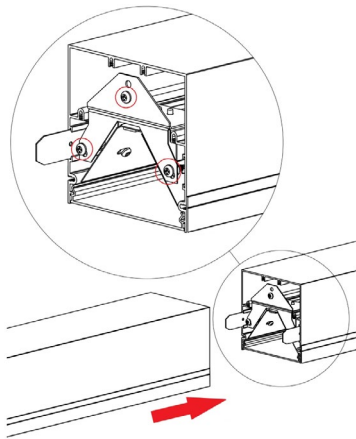
STEP 6. Insert fixture into drywall cut out in ceiling. Ensure that the drywall brackets are turned inward so the flanges are parallel to the fixture body.

Specifications and design subject to change without notice.

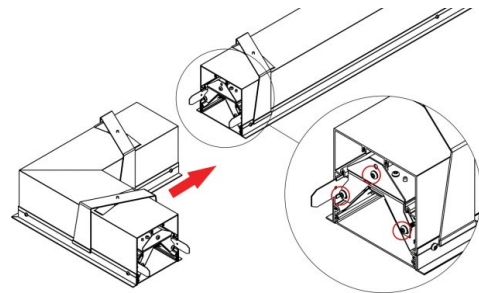
STEP-BY-STEP INSTALLATION INSTRUCTIONS



STEP 7. Attach fixture to ceiling by turning the screws attached to the drywall brackets. The brackets will rotate over the drywall to secure the fixture. Reinstall the reflector assembly and the lens.



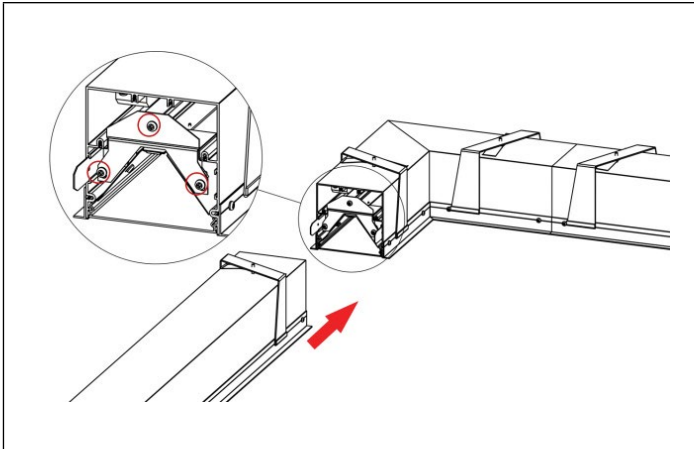
STEP 8. For continuous runs, remove the lens and reflector from the mid/end unit (see steps 2-4). Attach the joiner brackets of each unit using 3 screws. Connect wires between fixtures as per the wiring diagram. Secure to ceiling as per step 7. Reinstall the reflector and lens in mid/end.



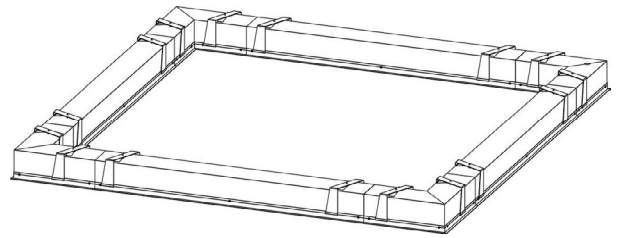
STEP 9. For corners, remove the lens and reflector pairs from the corner unit (see steps 2-4). Attach the corner to the preceding unit joiner brackets using 3 screws. Secure to ceiling as per step 7.

Specifications and design subject to change without notice.

STEP-BY-STEP INSTALLATION INSTRUCTIONS



STEP 10. Attach the next mid/end unit to the corner unit as per step 8. Connect wires between fixtures as per the wiring diagram. Reinstall the reflector and lens in corner.



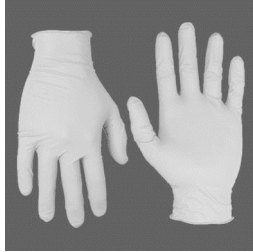
STEP 11. Example of completed grid.

Specifications and design subject to change without notice.

MAINTENANCE STEPS

Required Tools

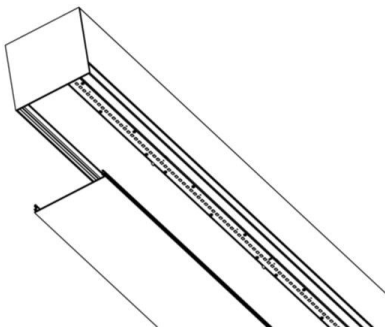
Plastic / Latex
Gloves



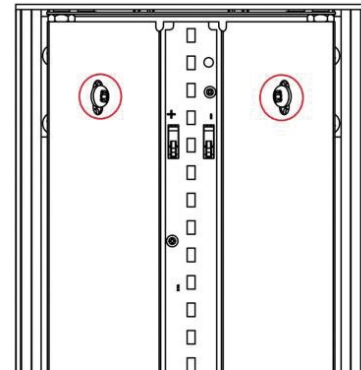
Screwdriver



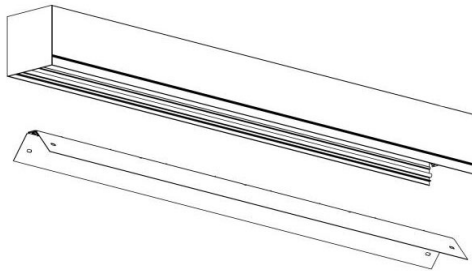
Important: Use clean gloves to avoid adding oil/dirt to reflector surface. Avoid scratching reflector surface by using installation tools with soft plastic rounded edges.



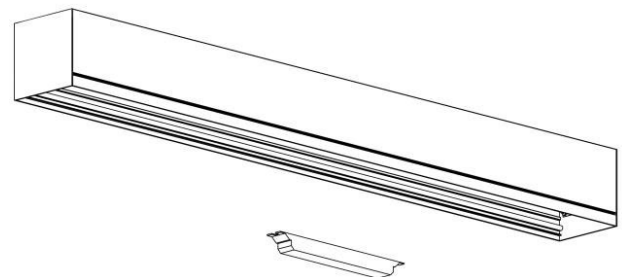
STEP 1. For LED board maintenance, remove the lens from the bottom of the unit.



STEP 2. For driver maintenance, first unscrew the reflector assembly.



STEP 3. Remove reflector assembly from unit.



STEP 4. Remove and service driver as required.

Specifications and design subject to change without notice.