

IS-S6-T rev.01

**S6 SERIES T-BAR
DIRECT INTEGRAL DRIVER
INSTALLATION INSTRUCTIONS**

NOTE

The following instructions provide general guidelines for product installation. For additional information consult the applicable electrical codes or contact factory directly for support before attempting anything with uncertainty.

CAUTION

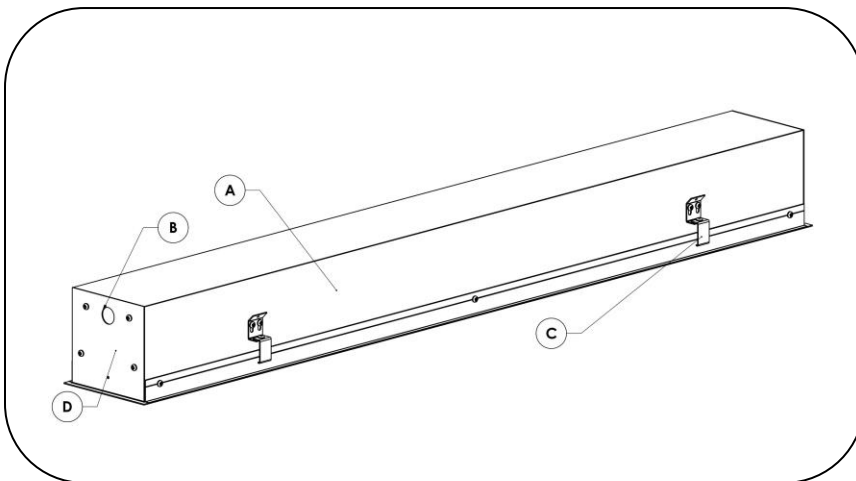
Do not assemble fixture runs on floor.

WARNING

Risk of fire and electrical shock. **DISCONNECT POWER AT ELECTRICAL PANEL** before installing or servicing this product.

GENERAL SAFETY INSTRUCTIONS

- Read all instructions prior to installing this fixture.
- This product must be installed in accordance with the applicable installation code by a person familiar with the construction and operation of the product and the hazards involved.
- All wiring must be performed by a qualified electrician in accordance with national and local building and electrical codes.
- This fixture must be suitably grounded for your protection against shock hazards and to assure proper operation.
- Make sure that the power source conforms to the requirements of this fixture.
- This product has accessible output terminals. Based on Canadian Electrical Code for class 2 circuits, this product requires installation in Restricted Access Area, so that no live parts are accessible to unauthorized persons.

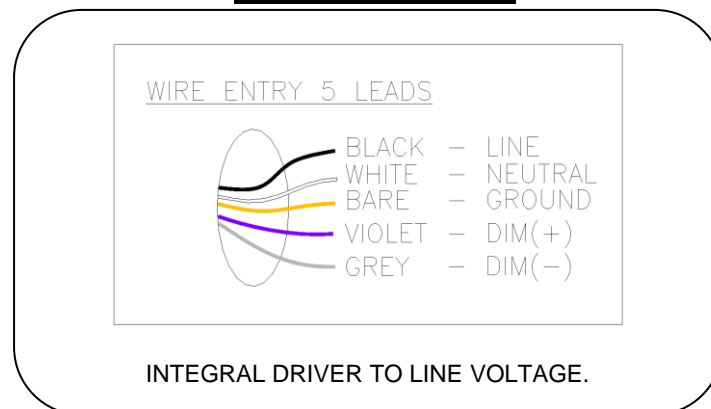


T-BAR CENTERS SPACING		
FIXTURE	T-BAR LENGTH	T-BAR WIDTH
4'	1219.2 mm (48.0")	152.4 mm (6.0")
8'	2438.4 mm (96.0")	152.4 mm (6.0")
12'	3657.6mm (144.0")	152.4 mm (6.0")
FIXTURE FITS STANDARD T-BAR (9/16" & 15/16")		

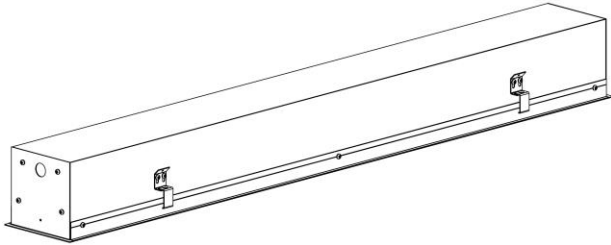
PARTS LIST:

- A. Luminaire enclosure
- B. Wire Entry Knockout
- C. T-bar Mounting Bracket
- D. End Plate

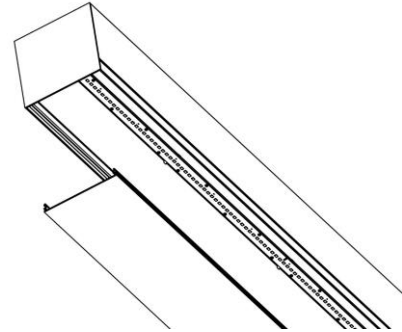
WIRING DIAGRAM



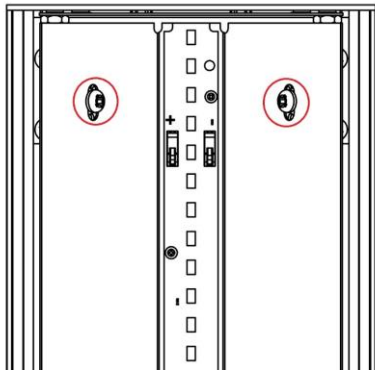
INSTALLATION STEPS



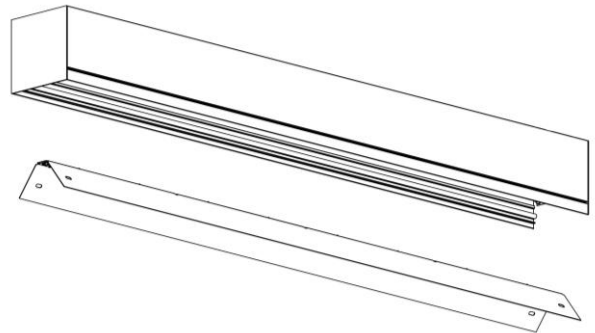
Step 1: Remove all fixture packaging.



Step 2: Remove the lens in the unit.

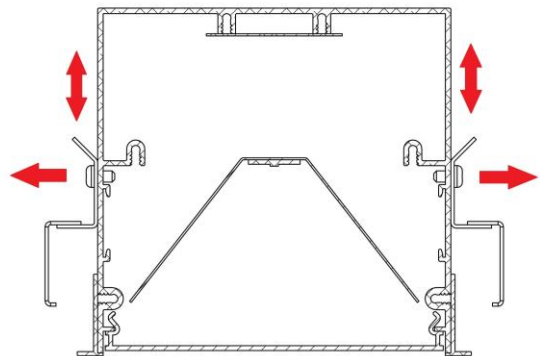


Step 3: Unscrew reflector assembly.

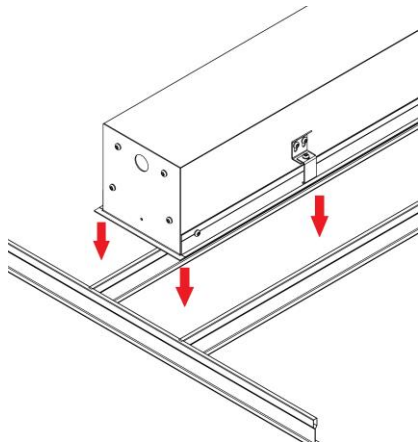


Step 4: Remove reflector assembly.

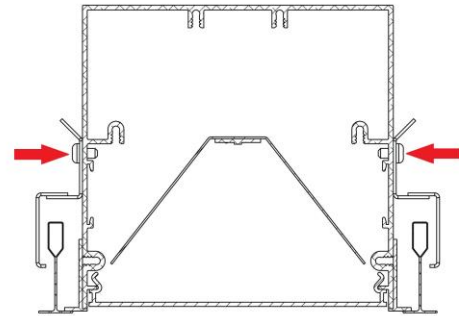
Step 5: Remove ceiling tiles (where fixture is to be installed) and adjacent tiles for easy access during installation.



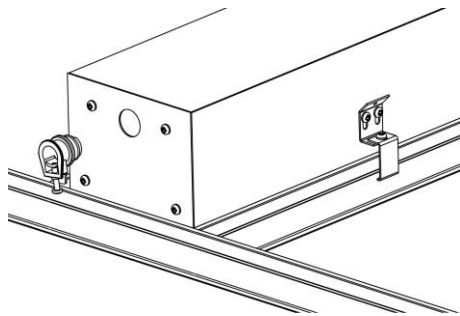
Step 6: Open T-bar mounting brackets by loosening the Phillips head screws on the side of the fixture. Open the brackets to the widest position.



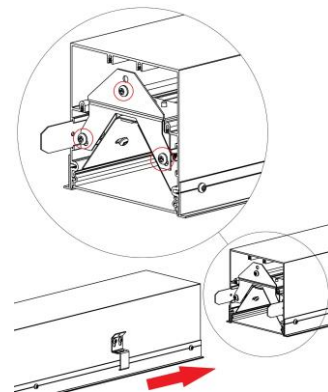
Step 7: Raise fixture above the ceiling and lower the fixture onto the T-bars.



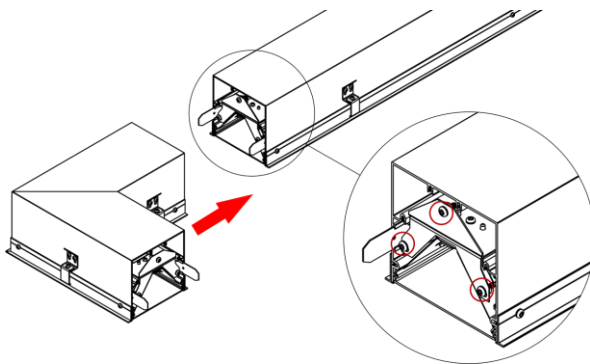
Step 8: Adjust the T-bar mounting brackets snug to the T-bar frame and secure into position using the Phillips screws on the sides of the fixture.



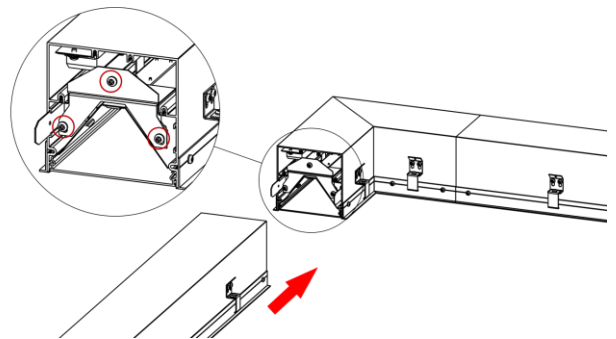
Step 9: Knock out and install BX connector (Supplied by others). Feed BX cable (supplied by others) through connector and end plate. Tighten BX connector screw cable to wire entry plate. Reinstall reflector and lens. Skip to step 14 for stand-alone fixtures.
For a grid, feed cable through the hole in the provided wire entry corner piece.



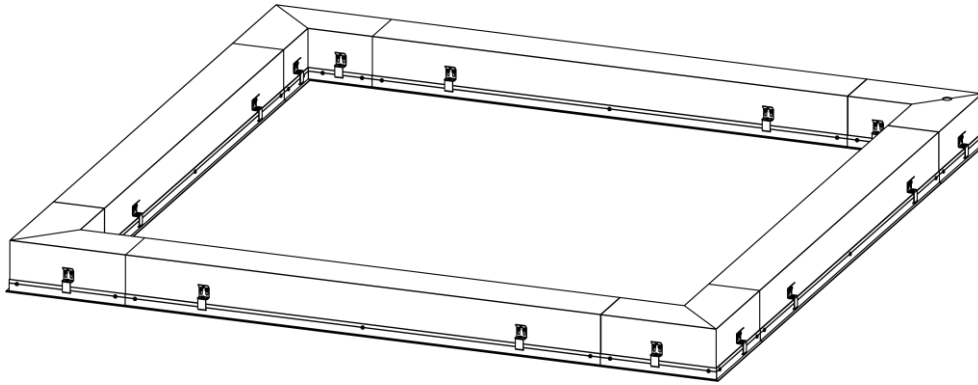
Step 10: For continuous runs, remove the lens and reflector from the mid/end unit (see steps 2-4). Attach the corner brackets of each unit using 3 screws. Reinstall the reflector and lens in mid/end.



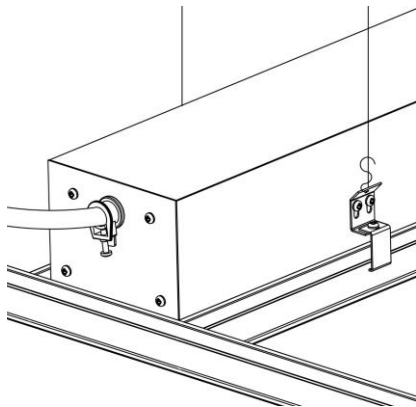
Step 11: For corners, remove the lens and reflector pairs from the corner unit (see steps 2-4). Attach the corner to the preceding unit joiner brackets using 3 screws.



Step 12: Attach the next mid/end unit to the corner unit as per step 10. Connect wires between fixtures as per the wiring diagram. Reinstall the reflector and lens in corner.



Step 13: Example of completed grid.



Step 14: Attach safety wires to each mounting bracket.
Connect cables from BX cable to the fixture driver cables.
Install all ceiling tiles.

MAINTENANCE STEPS

Required Tools:

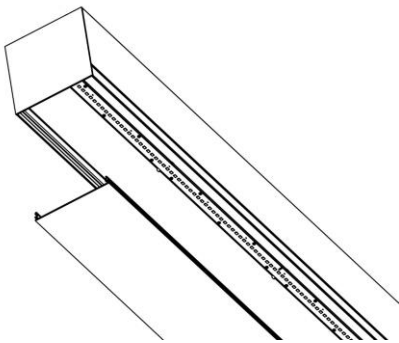


PLASTIC / LATEX GLOVES

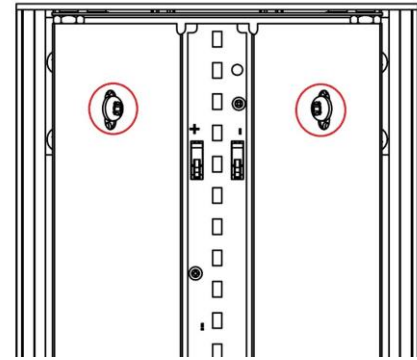


SCREWDRIVER

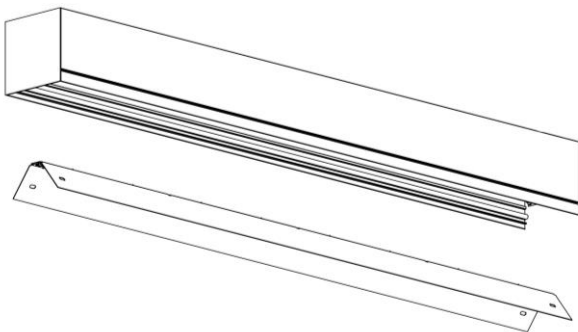
Important: Use clean gloves to avoid adding oil/dirt to reflector surface. Avoid scratching reflector surface by using installation tools with soft plastic rounded edges.



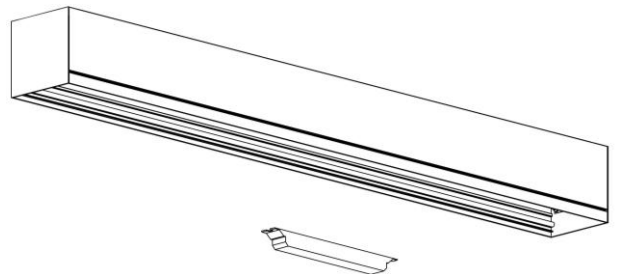
Step 1: For LED board maintenance, remove lens from bottom of unit.



Step 2: For driver maintenance, first unscrew the reflector assembly.



Step 3: Remove reflector assembly from unit.



Step 4: Remove and service driver as required.