

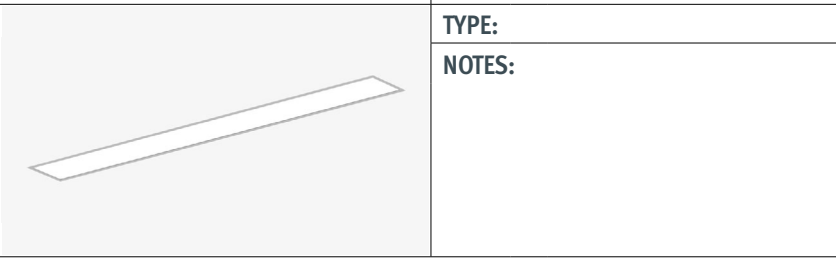
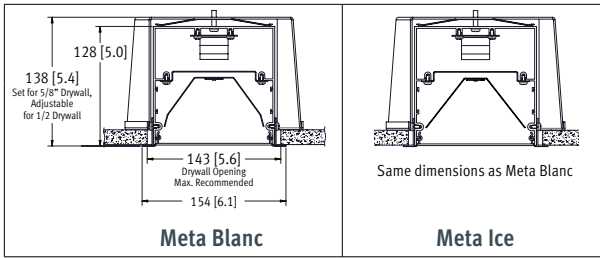
Rail 6 S6

LED . Recessed Drywall Flanged



DLC Approved only to Meta Ice Optics

CAT #:
PREP BY:
DATE:
PROJECT:
TYPE:
NOTES:



ORDERING LOGIC

Example Part Number: S6-1L35K-8-MB-W-L31-D-1-D-90

S6								D																																																			
Series	Color Temp	Length/Pattern	Optics Up	Optics Down	Finish	LL/Driver	Circuitry	Mounting	Voltage	Controls	Options																																																
Color Temp	Length/Pattern (Cont'd)	Optics Up	Light Level (LL) / Driver				Circuitry	Controls																																																			
1L30K = 3000K	8 = 8 ft	= None (leave space empty)	Performance at 3500K 0-10V Dimming (Standard)				1 = 1 Circuit	= None (leave space empty)																																																			
1L35K = 3500K	9 = 9 ft	Optics Down	<table border="1"> <thead> <tr> <th>Optics</th> <th>Light Level</th> <th>Lumens Delivered</th> <th>Wattage</th> <th>Efficacy (LPW)</th> </tr> </thead> <tbody> <tr> <td rowspan="4">MB</td> <td>L1</td> <td>1479</td> <td>13.8</td> <td>107</td> </tr> <tr> <td>L2</td> <td>1824</td> <td>17.6</td> <td>104</td> </tr> <tr> <td>L3</td> <td>2435</td> <td>24.2</td> <td>101</td> </tr> <tr> <td>L4</td> <td>4483</td> <td>49.9</td> <td>90</td> </tr> <tr> <td rowspan="4">M</td> <td>L1</td> <td>1730</td> <td>13.8</td> <td>125</td> </tr> <tr> <td>L2</td> <td>2133</td> <td>17.6</td> <td>121</td> </tr> <tr> <td>L3</td> <td>2850</td> <td>24.2</td> <td>118</td> </tr> <tr> <td>L4</td> <td>5248</td> <td>49.8</td> <td>105</td> </tr> </tbody> </table> <p>Based on 4ft sections.</p> <table border="1"> <thead> <tr> <th colspan="3">Lumen Adjustment Factor</th> </tr> <tr> <th>Color Temp</th> <th>80 CRI</th> <th>90 CRI</th> </tr> </thead> <tbody> <tr> <td>3000K</td> <td>0.984</td> <td>0.873</td> </tr> <tr> <td>3500K</td> <td>1.000</td> <td>0.875</td> </tr> <tr> <td>4000K</td> <td>1.032</td> <td>0.879</td> </tr> </tbody> </table>	Optics	Light Level	Lumens Delivered	Wattage	Efficacy (LPW)	MB	L1	1479	13.8	107	L2	1824	17.6	104	L3	2435	24.2	101	L4	4483	49.9	90	M	L1	1730	13.8	125	L2	2133	17.6	121	L3	2850	24.2	118	L4	5248	49.8	105	Lumen Adjustment Factor			Color Temp	80 CRI	90 CRI	3000K	0.984	0.873	3500K	1.000	0.875	4000K	1.032	0.879	EM = Emergency / Night Light	D = Daylight Sensor
Optics	Light Level	Lumens Delivered		Wattage	Efficacy (LPW)																																																						
MB	L1	1479		13.8	107																																																						
	L2	1824		17.6	104																																																						
	L3	2435	24.2	101																																																							
	L4	4483	49.9	90																																																							
M	L1	1730	13.8	125																																																							
	L2	2133	17.6	121																																																							
	L3	2850	24.2	118																																																							
	L4	5248	49.8	105																																																							
Lumen Adjustment Factor																																																											
Color Temp	80 CRI	90 CRI																																																									
3000K	0.984	0.873																																																									
3500K	1.000	0.875																																																									
4000K	1.032	0.879																																																									
1L40K = 4 ft	10 = 10 ft	MB = Meta Blanc					B = Battery Pack	O = Occupancy Sensor																																																			
1LTUN = 2-White Tunable (2700 - 6500K)	11 = 11 ft	M = Meta Ice					Mounting	DO = Daylight/Occupancy Sensor																																																			
Length/Pattern	12 = 12 ft	MD = Drop Lens**					D = Recessed Drywall Flanged	Options																																																			
2 = 2 ft	R = Continuous Rows See page 3	Finish					Voltage	90 = 90 CRI																																																			
3 = 3 ft	G = Square / Rectangle	SA = Satin Aluminum					1 = 120 V	= None (leave space empty)																																																			
4 = 4 ft	U = U-Shape	W = White					2 = 277 V																																																				
5 = 5 ft	L = L-Shape	C = Custom Finish Specify RAL#:					3 = 347 V																																																				
6 = 6 ft	C = Custom Pattern*						4 = UNV (120 - 277 V)																																																				
7 = 7 ft	Enter pattern dimensions on page 2																																																										

* Consult factory for custom patterns, including X and T patterns. | ** Drop lens is not available with patterns.

SPECIFICATIONS

Due to the Continuous Improvement Policy at Metalumen, we reserve the right to change our specifications without notice.

Housing: Rigid extruded aluminum body, 2.0mm (0.08") nominal wall thickness, and steel formed end caps.

Optical System: Optical System MetaLED mid flux LED technology transmits to an internal high performance-side kicking reflector that then passes through our Meta Blanc or Meta Ice acrylic diffuser for smooth distribution, creating a continuation of smooth consistent light.

CRI: 83+ for 3500K, 80 minimum for all CCTs

in standard configurations.

Lumen Maintenance: At an ambient operating temperature of 35°C, the LED lifetime expectancy > 60 000hrs at L85.

Finish: Satin aluminum and white are standard finishes. For custom finish, contact factory.

Weight: 1.7 kg/300mm [3.8 lb/ft]

Mounting: Mounting brackets/clips provided.

Electrical: Factory prewired with easy wire quick connect sections.

Drivers: Metalumen offers dimming drivers as a standard on our entire LED product offering at 0-10V. Dimming is 10%-100% range Power factor is >90% with a Class 2 rating.

Lutron Driver Options: Consult factory for Lutron driver options:

- L3DAE Hi-lume 1% EcoSystem LED Driver
- L3DA3W Hi-lume 1% 3-wire LED Driver
- LTEA2W Hi-lume 1% 2-wire LED Driver
- LDE1 Hi-lume 1% -H EcoSystem LED Driver

- LDE5 5-Series EcoSystem LED Driver
- Controls:** Refer to Ordering Logic chart above.
- Approvals:** Certified to NRTL safety and IES recommendation testing standards. cULus listed. All components are CSA/QPS recognized or listed, RoHS, LM79, LM80 and LM82 compliant.
- Environment:** Suitable for dry or damp locations.

WARRANTY

Metalumen will warrant defective luminaires for 5 years from date of purchase. Warranty is valid if luminaire is installed and used according to specification. If defective, Metalumen will send replacement boards or drivers at no cost along with detailed replacement instructions and instructions on how to return defective components to Metalumen.

APPROVALS Signature _____

Date _____

FILE NAME: S6_D_SPEC SHEET_20180503

570 Southgate Drive, Guelph, Ontario N1G 4P6
Mailing Address: P.O. Box 1779 Guelph, Ontario, N1H 6Z9

1.800.621.6785 | T 519.822.4381 | F 519.822.4589
www.metalumen.com

Metalumen

Rail 6 S6 LED . Recessed Drywall Flanged

FEATURES



COMMERCIAL // Commercial Lighting - With over 30 years of successful architectural lighting, providing unique concept and installation solutions has become second nature. Metalumen's Start to End Development Process results in unique performance, design and architectural requirements from concept through implementation. Metalumen's Lighting Solutions have been applied to customer projects requiring: high profile architectural installations; improved

energy efficiency; retrofit installations; unique installations. Metalumen can provide top-quality innovative fixtures when and where they are needed and, at the same time, allow the customer to determine their level of involvement in Metalumen's Start to End Development Process.



EDULUMEN // Educational Lighting - Edulumen is a collection of premium luminaires that maximize both the functionality and

performance of any educational facility. Based on maximum efficiency, integration of controls and exceptional design, Edulumen will earn high marks for meeting your requirements. Students challenge themselves throughout the day to achieve, and Metalumen is dedicated to this by creating sustainable environments that foster enhanced educational experiences.

Metalumen. A slim LED platform for any of your LED linear application.



Suitable for dry or damp locations.



LED boards with a raw efficacy of over 120lm/W, proprietary to

	<p>RAIL 6 S6 Family DLC Approved</p> <p>Applicable only to Meta Ice Optics</p>	<p>For more Metalumen DLC Approved Products, visit the DLC Website</p>
--	---	--

PATTERNS

	Square (G)	Rectangle (G)	U-Shape (U)	L-Shape (L)
Select Pattern:				
Pattern Configuration				
Indicate Desired Lengths (ft)	A =	A = B =	A = B = C =	A = B =
Minimum Lengths	4' for all sides		A = 3', B = 4', C = 3'	A = 3', B = 3'

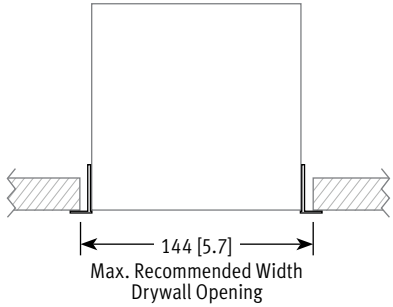
Record drawings will be sent out upon order showing mounting locations.

MOUNTING - ROW CONFIGURATIONS

QTY	Nominal Length	Run Length Overall	Max. Recommended Length Drywall Opening (Max. Rec. Width = 144mm)	Alone Length	Start Length	Mid Length(s)	End Length	Light Level STD = Standard w/EM = With Emergency	
	4'	1243 [48.9]	1232 [48.5]	4				STD	1221 [48.1]
								w/EM	
	8'	2462 [96.9]	2451 [96.5]	8				STD	2440 [96.1]
								w/EM	
	12'	3682 [145.0]	3671 [144.5]	12				STD	3660 [144.1]
								w/EM	
	16'	4900 [192.9]	4890 [192.5]	8	8			STD	4878 [192.0]
								w/EM	
	20'	6120 [241.0]	6110 [240.5]	12	8			STD	6098 [240.1]
								w/EM	
	24'	7340 [289.0]	7330 [288.6]	12	12			STD	7318 [288.1]
								w/EM	
	28'	8558 [336.9]	8548 [336.5]	8	12	8		STD	8536 [336.1]
								w/EM	
	32'	9778 [385.0]	9768 [384.6]	12	8	12		STD	9756 [384.1]
								w/EM	
	36'	10998 [433.0]	10988 [432.6]	12	12	12		STD	10976 [432.1]
								w/EM	
	40'	12216 [481.0]	12206 [480.6]	12	8	12		STD	12194 [480.1]
								w/EM	
	44'	13436 [529.0]	13426 [528.6]	12	12	12		STD	13414 [528.1]
								w/EM	
	48'	14656 [577.0]	14646 [576.6]	12	12	12		STD	14634 [576.1]
								w/EM	

LEGEND

- A = Run Length (Body)
- Standard (STD) Wire Entry Location (located on the end cap)
- Emergency (EM) Lighting Location
- Emergency Wire Entry Location (located on the end cap)



PHOTOMETRIC DATA - 3500K - L3

Meta Blanc

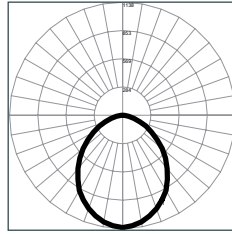
File Name: S6-1L35K-4-MB-L3
 Luminaire Lumens: 2435
 Total Watts: 24.2
 Efficacy: 101 lms/W

COEFFICIENTS OF UTILIZATION

Zonal Cavity Method | Effective Floor Cavity Reflectance = .20

RC RW	80				70				50			
	70	50	30	10	70	50	30	10	70	50	30	10
RCR												
0	119	119	119	119	116	116	116	116	111	111	111	111
1	110	106	102	98	107	103	100	97	99	96	94	94
2	101	93	87	82	98	91	86	81	88	83	79	79
3	93	83	75	69	90	81	74	69	78	72	68	68
4	85	74	66	60	83	73	65	59	70	64	59	59
5	79	67	58	52	77	66	58	52	64	57	51	51
6	73	61	52	46	71	60	52	46	58	51	45	45
7	68	55	47	41	66	54	47	41	53	46	41	41
8	64	51	43	37	62	50	42	37	49	42	37	37
9	60	47	39	34	58	46	39	33	45	38	33	33
10	56	43	36	31	55	43	35	31	42	35	30	30

PHOTOMETRIC CURVE



LUMINANCE DATA (CD/M²)

Vertical Angle	Horizontal Angle		
	0	45	90
45	4443	2684	2224
55	3665	1899	1520
65	2843	1223	937
75	1889	623	454
85	733	153	113

CANDELA DISTRIBUTION

Vertical Angle	Horizontal Angle				
	0	22.5	45	67.5	90
0	1128.98	1128.98	1128.98	1128.98	1128.98
5	1115.81	1104.53	1137.92	1101.96	1118.38
10	1089.44	1088.08	1095.13	1088.71	1066.99
15	1048.49	1042.42	1037.6	1035	1037.64
20	997.4	990.93	982.9	974.04	977
25	937.71	929.21	914.03	900.04	889.19
30	874.03	859.77	834.43	811.73	806.19
35	785.53	775.18	749.12	720.87	707.12
40	699.56	692.68	652.76	625.15	620.55
45	610.4	596.68	566.6	525.29	520.33
50	520.58	502.71	465.37	439.2	431.41
55	425.19	416.21	382.53	354.58	346.39
60	339.58	330.66	302.17	275.02	272.7
65	258.96	248.26	227.05	208.46	201.37
70	185.3	176.26	161.94	144.98	142.11
75	119.78	114.16	102.22	94.27	88.71
80	63.06	60.21	53.44	50.22	48.25
85	24.79	23.06	21.02	20.01	19.18
90	6.05	5.38	4.76	5.61	5.35

ZONAL LUMEN SUMMARY

Zone	Lumens	%Fixt
0-20	398.56	16.40
0-30	819.17	33.60
0-40	1286.98	52.80
0-60	2067.21	84.90
0-80	2407.16	98.80
0-90	2435.28	100.00
10-90	2329.65	95.70
20-40	888.43	36.50
20-50	1323.53	54.30
40-70	1008.36	41.40
60-80	339.95	14.00
70-80	111.82	4.60
80-90	28.12	1.20
90-110	0.00	0.00
90-120	0.00	0.00
90-130	0.00	0.00
90-150	0.00	0.00
90-180	0.00	0.00
110-180	0.00	0.00
0-180	2435.28	100.00

Meta Ice

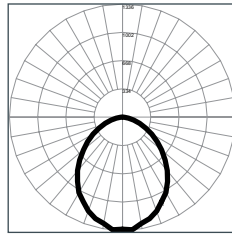
File Name: S6-1L35K-4-M-L3
 Luminaire Lumens: 2850
 Total Watts: 24
 Efficacy: 118 lms/W

COEFFICIENTS OF UTILIZATION

Zonal Cavity Method | Effective Floor Cavity Reflectance = .20

RC RW	80				70				50			
	70	50	30	10	70	50	30	10	70	50	30	10
RCR												
0	101	101	101	101	99	99	99	99	94	94	94	94
1	93	90	86	84	91	88	85	82	84	82	80	80
2	86	79	74	70	84	78	73	69	75	71	67	67
3	79	71	64	59	77	69	63	59	67	62	58	58
4	73	63	56	51	71	62	56	51	60	54	50	50
5	67	57	50	44	65	56	49	44	54	48	44	44
6	62	52	44	39	61	51	44	39	49	43	39	39
7	58	47	40	35	56	46	40	35	45	39	35	35
8	54	43	36	32	53	43	36	31	41	36	31	31
9	51	40	33	29	50	39	33	29	38	32	28	28
10	48	37	30	26	47	36	30	26	36	30	26	26

PHOTOMETRIC CURVE



LUMINANCE DATA (CD/M²)

Vertical Angle	Horizontal Angle		
	0	45	90
45	5198	3134	2581
55	4347	2212	1751
65	3365	1427	1090
75	2172	730	518
85	839	175	137

CANDELA DISTRIBUTION

Vertical Angle	Horizontal Angle			
	0	30	60	90
0	1322.81	1322.81	1322.81	1322.81
5	1336.31	1316.14	1318.16	1310.24
10	1274.36	1288.29	1278.81	1276.54
15	1240.44	1222.49	1225.81	1221.28
20	1181.26	1159.12	1149.92	1141.46
25	1099.07	1092.99	1062.96	1055.19
30	1027.54	1002.89	968.3	950.02
35	927.73	900.76	861.03	827.29
40	824.4	798.29	739.54	715.72
45	714.17	692.26	631.04	603.97
50	602.18	579.78	521.68	497.59
55	504.3	468.79	422.14	399.02
60	402.82	374.31	327.2	314.76
65	306.52	281.33	248.38	234.29
70	216.3	199.09	173.28	165.55
75	137.76	128.38	111.18	101.1
80	73.5	67.31	58.82	54.19
85	28.37	25.48	22.68	23.31
90	7.12	5.51	5.92	7.26

ZONAL LUMEN SUMMARY

Zone	Lumens	%Fixt
0-20	469.73	16.50
0-30	965.33	33.80
0-40	1515.31	53.10
0-60	2426.99	85.00
0-80	2822.14	98.90
0-90	2854.5	100.00
10-90	2729.9	95.60
20-40	1045.58	36.60
20-50	1555.12	54.50
40-70	1177.51	41.30
60-80	395.15	13.80
70-80	129.32	4.50
80-90	32.36	1.10
90-110	0.00	0.00
90-120	0.00	0.00
90-130	0.00	0.00
90-150	0.00	0.00
90-180	0.00	0.00
110-180	0.00	0.00
0-180	2854.5	100.00