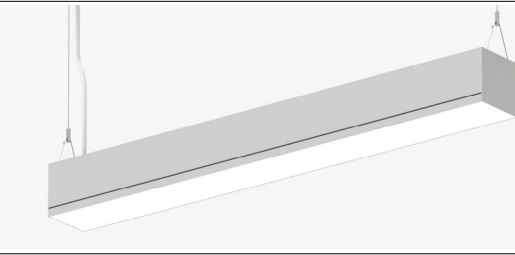
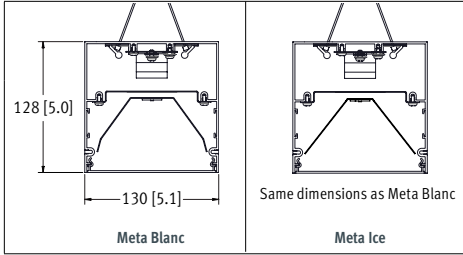


# Rail 6 S6 (Formerly Sequence)

LED . Pendant



DLC Applicable only to Meta Ice Optics



CAT #:
PREP BY:
DATE:
PROJECT:
TYPE:
NOTES:

## ORDERING LOGIC

Example Part Number: S6-1L35K-8-MB-W-L31-PA-1-D-90

S6	Series	Color Temp	Length/Pattern	Optics Up	Optics Down	Finish	LL/Driver	Circuitry	Mounting	Voltage	Controls	Options												
		<b>Color Temp</b>	<b>Length/Pattern (Cont'd)</b>	<b>Optics Up</b>		<b>Light Level (LL) / Driver</b>				<b>Circuitry</b>	<b>Voltage</b>													
		1L30K = 3000K	8 = 8 ft	= None (leave space empty)		<b>Performance at 3500K 0-10V Dimming (Standard)</b>				1 = 1 Circuit	1 = 120 V													
		1L35K = 3500K	9 = 9 ft	<b>Optics Down</b>		<b>Optics</b>	<b>Light Level</b>	<b>Lumens Delivered</b>	<b>Wattage</b>	<b>Efficacy (LPW)</b>	EM = Emergency / Night Light	2 = 277 V												
		1L40K = 4 ft	10 = 10 ft	MB = Meta Blanc		MB	L1	1479	13.8	107	B = Battery Pack	3 = 347 V												
		1LTUN = 2-White Tunable (2700 - 6500K)	11 = 11 ft	M = Meta Ice			L2	1824	17.6	104	<b>Mounting</b>		4 = UNV (120 - 277 V)											
		<b>Length/Pattern</b>	12 = 12 ft	MD = Drop Lens**			L3	2435	24.2	101	PA = Pendant Aircraft Cable	<b>Controls</b>												
		2 = 2 ft	R = Continuous Rows See page 3	<b>Finish</b>			L4	4483	49.9	90	PT = Pendant Aircraft Cable for T-Bar	= None (leave space empty)												
		3 = 3 ft	G = Square / Rectangle	SA = Satin Aluminum		M	L1	1730	13.8	125	Select HANGER LENGTH and HANGER FINISH on p.3	D = Daylight Sensor												
		4 = 4 ft	U = U-Shape	W = White		L2	2133	17.6	121	O = Occupancy Sensor														
		5 = 5 ft	L = L-Shape	C = Custom Finish Specify RAL#:		L3	2850	24.2	118	DO = Daylight/Occupancy Sensor														
		6 = 6 ft	C = Custom Pattern*			L4	5248	49.8	105	<b>Options</b>														
		7 = 7 ft	Enter pattern dimensions on page 2			<b>Lumen Adjustment Factor</b>						90 = 90 CRI												
						<table border="1"> <thead> <tr> <th>Color Temp</th> <th>80 CRI</th> <th>90 CRI</th> </tr> </thead> <tbody> <tr> <td>3000K</td> <td>0.984</td> <td>0.873</td> </tr> <tr> <td>3500K</td> <td>1.000</td> <td>0.875</td> </tr> <tr> <td>4000K</td> <td>1.032</td> <td>0.879</td> </tr> </tbody> </table>			Color Temp	80 CRI	90 CRI	3000K	0.984	0.873	3500K	1.000	0.875	4000K	1.032	0.879				= None (leave space empty)
Color Temp	80 CRI	90 CRI																						
3000K	0.984	0.873																						
3500K	1.000	0.875																						
4000K	1.032	0.879																						

\* Consult factory for custom patterns, including X and T patterns. | \*\* Drop lens is not available with patterns.

## SPECIFICATIONS

Due to the Continuous Improvement Policy at Metalumen, we reserve the right to change our specifications without notice.

**Housing:** Rigid extruded aluminum body, 2.0mm (0.08") nominal wall thickness, and steel formed end caps.

**Optical System:** Optical System MetaLED mid flux LED technology transmits to an internal high performance-side kicking reflector that then passes through our Meta Blanc or Meta Ice acrylic diffuser for smooth distribution, creating a continuation of smooth consistent light.

**CRI:** 83+ for 3500K, 80 minimum for all CCTs in standard configurations.

**Lumen Maintenance:** At an ambient operating temperature of 35°C, the LED lifetime expectancy > 60 000hrs at L85.

**Finish:** Satin aluminum and white are standard finishes. For custom finish, contact factory.

**Weight:** 1.7 kg/300mm [ 3.8 lb/ft ]

**Mounting:** Aircraft cable yoke complete with a Quick-Grip field adjustable suspension system provides for quick and easy on-site alignment.

**Electrical:** Factory prewired with easy wire

quick connect sections.

**Drivers:** Metalumen offers dimming drivers as a standard on our entire LED product offering at 0-10V. Dimming is 10%-100% range Power factor is >90% with a Class 2 rating.

**Controls:** Refer to Ordering Logic chart above.

**Lutron Driver Options:** Consult factory for Lutron driver options:

- L3DAE Hi-lume 1% EcoSystem LED Driver
- L3DA3W Hi-lume 1% 3-wire LED Driver
- L7EA2W Hi-lume 1% 2-wire LED Driver
- LDE1 Hi-lume 1% -H EcoSystem LED Driver

• LDES 5-Series EcoSystem LED Driver  
**Approvals:** Certified to NRTL safety and IES recommendation testing standards. cULus listed. All components are CSA/QPS recognized or listed, RoHS, LM79, LM80 and LM82 compliant.

**Environment:** Suitable for dry or damp locations.

APPROVALS Signature \_\_\_\_\_

Date \_\_\_\_\_

FILE NAME: S6\_P\_SPEC\_SHEET\_20180503

570 Southgate Drive, Guelph, Ontario N1G 4P6  
 Mailing Address: P.O. Box 1779 Guelph, Ontario, N1H 6Z9

1.800.621.6785 | T 519.822.4381 | F 519.822.4589  
 www.metalumen.com

Metalumen

**FEATURES**

**COMMERCIAL // Commercial Lighting** - With over 30 years of successful architectural lighting, providing unique concept and installation solutions has become second nature. Metalumen's Start to End Development Process results in unique performance, design and architectural requirements from concept through implementation. Metalumen's Lighting Solutions have been applied to customer projects requiring: high profile architectural installations; improved

energy efficiency; retrofit installations; unique installations. Metalumen can provide top-quality innovative fixtures when and where they are needed and, at the same time, allow the customer to determine their level of involvement in Metalumen's Start to End Development Process.

**EDULUMEN // Educational Lighting** - Edulumen is a collection of premium luminaires that maximize both the functionality and

performance of any educational facility. Based on maximum efficiency, integration of controls and exceptional design, Edulumen will earn high marks for meeting your requirements. Students challenge themselves throughout the day to achieve, and Metalumen is dedicated to this by creating sustainable environments that foster enhanced educational experiences.

Metalumen. A slim LED platform for any of your LED linear application.

**DAMP** Suitable for dry or damp locations.

**META** LED boards with a raw efficacy of over 120lm/W, proprietary to

	<p><b>RAIL 6 S6 Family DLC Approved</b></p>	<p>For more Metalumen DLC Approved Products, visit the <a href="#">DLC Website</a></p>
--	---	--

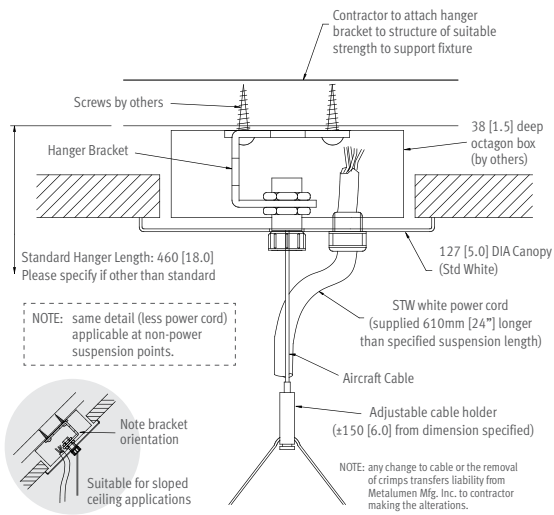
**PATTERNS**

	Square (G)	Rectangle (G)	U-Shape (U)	L-Shape (L)
Select Pattern				
Pattern Configuration				
Indicate Desired Lengths (ft)	A =	A = B =	A =      B = C =	A = B =
Minimum Lengths	4' for all sides		A = 3', B = 4', C = 3'	A = 3', B = 3'

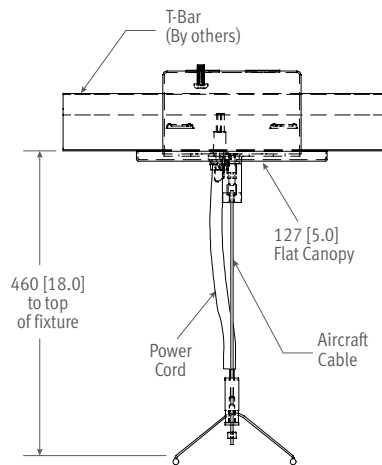
Record drawings will be sent out upon order showing mounting locations.

**HANGERS**

**Aircraft Cable & Cord**



**T-Bar Aircraft Cable & Cord**



**HANGER FINISH**

- White Paint (Standard)
- Custom Specify RAL#:

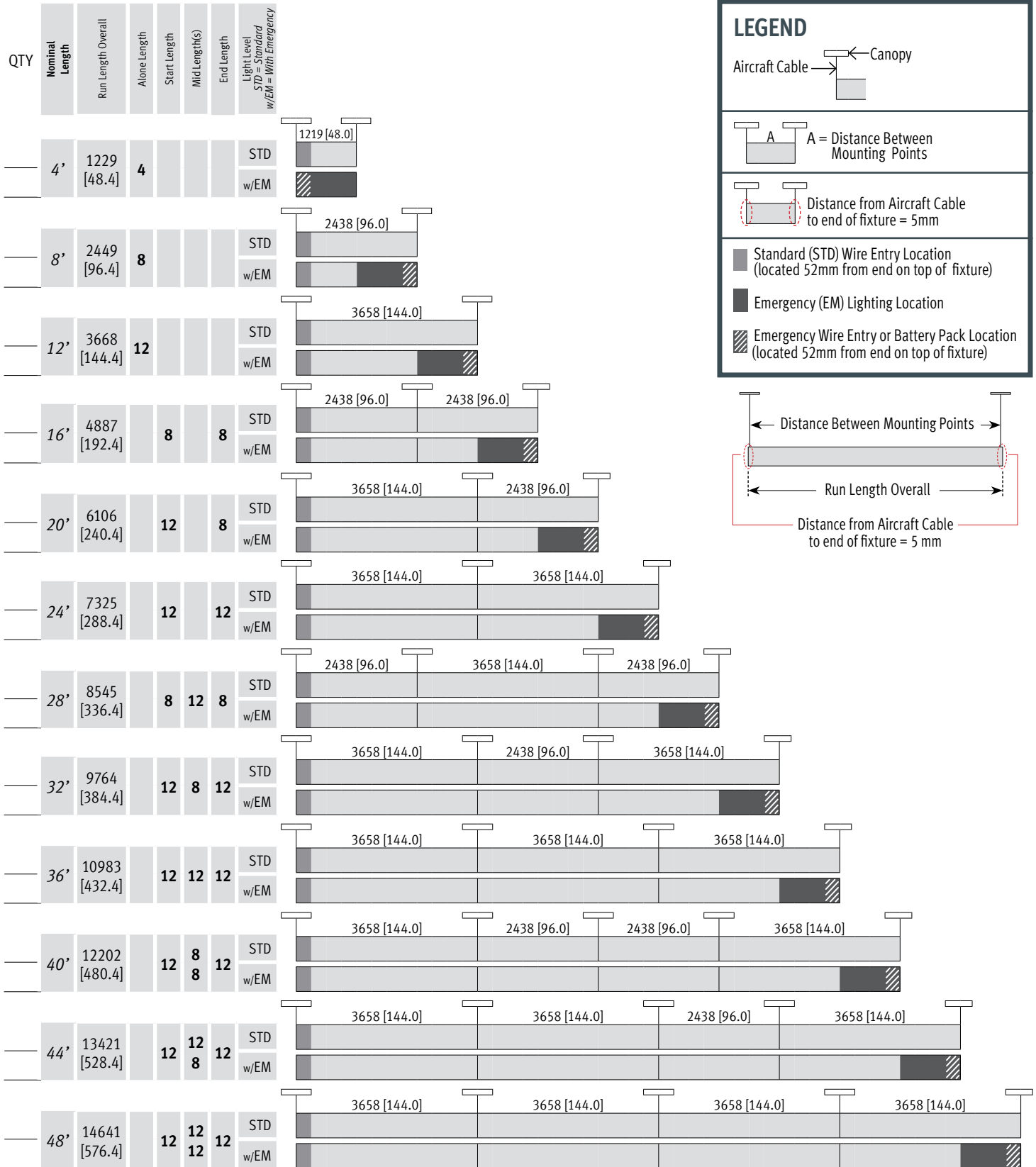
**Select Hanger Length below:**

**AIRCRAFT CABLE**

Total adjustment range is 6" up & down for each standard length.  
All other lengths are considered custom unless otherwise stated.

	IMPERIAL (in)	METRIC (mm)
<input type="checkbox"/>	12	305
<input type="checkbox"/>	18	460
<input type="checkbox"/>	24	610
<input type="checkbox"/>	30	760
<input type="checkbox"/>	36	915
<input type="checkbox"/>	42	1067
<input type="checkbox"/>	48	1220
<input type="checkbox"/>	54	1372
<input type="checkbox"/>	60	1525
<input type="checkbox"/>	72	1830
<input type="checkbox"/>	96	2440
<input type="checkbox"/>	120	3050
<input type="checkbox"/>	144	3660
<input type="checkbox"/>	<b>Custom length:</b>	

**MOUNTING - ROW CONFIGURATIONS**



FILE NAME: S6\_P\_SPEC\_SHEET\_20180503

**PHOTOMETRIC DATA - 3500K - L3**

**Meta Blanc**

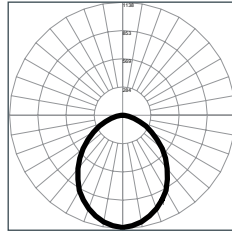
File Name: S6-1L35K-4-MB-L3  
 Luminaire Lumens: 2435  
 Total Watts: 24.2  
 Efficacy: 101 lms/W

**COEFFICIENTS OF UTILIZATION**

Zonal Cavity Method | Effective Floor Cavity Reflectance = .20

RC RW	80				70				50			
	70	50	30	10	70	50	30	10	70	50	30	10
RCR												
0	119	119	119	119	116	116	116	116	111	111	111	111
1	110	106	102	98	107	103	100	97	99	96	94	94
2	101	93	87	82	98	91	86	81	88	83	79	79
3	93	83	75	69	90	81	74	69	78	72	68	68
4	85	74	66	60	83	73	65	59	70	64	59	59
5	79	67	58	52	77	66	58	52	64	57	51	51
6	73	61	52	46	71	60	52	46	58	51	45	45
7	68	55	47	41	66	54	47	41	53	46	41	41
8	64	51	43	37	62	50	42	37	49	42	37	37
9	60	47	39	34	58	46	39	33	45	38	33	33
10	56	43	36	31	55	43	35	31	42	35	30	30

**PHOTOMETRIC CURVE**



**LUMINANCE DATA (CD/M²)**

Vertical Angle	Horizontal Angle		
	0	45	90
45	4443	2684	2224
55	3665	1899	1520
65	2843	1223	937
75	1889	623	454
85	733	153	113

**CANDELA DISTRIBUTION**

Vertical Angle	Horizontal Angle				
	0	22.5	45	67.5	90
0	1128.98	1128.98	1128.98	1128.98	1128.98
5	1115.81	1104.53	1137.92	1101.96	1118.38
10	1089.44	1088.08	1095.13	1088.71	1066.99
15	1048.49	1042.42	1037.6	1035	1037.64
20	997.4	990.93	982.9	974.04	977
25	937.71	929.21	914.03	900.04	889.19
30	874.03	859.77	834.43	811.73	806.19
35	785.53	775.18	749.12	720.87	707.12
40	699.56	692.68	652.76	625.15	620.55
45	610.4	596.68	566.6	525.29	520.33
50	520.58	502.71	465.37	439.2	431.41
55	425.19	416.21	382.53	354.58	346.39
60	339.58	330.66	302.17	275.02	272.7
65	258.96	248.26	227.05	208.46	201.37
70	185.3	176.26	161.94	144.98	142.11
75	119.78	114.16	102.22	94.27	88.71
80	63.06	60.21	53.44	50.22	48.25
85	24.79	23.06	21.02	20.01	19.18
90	6.05	5.38	4.76	5.61	5.35

**ZONAL LUMEN SUMMARY**

Zone	Lumens	%Fixt
0-20	398.56	16.40
0-30	819.17	33.60
0-40	1286.98	52.80
0-60	2067.21	84.90
0-80	2407.16	98.80
<b>0-90</b>	<b>2435.28</b>	<b>100.00</b>
10-90	2329.65	95.70
20-40	888.43	36.50
20-50	1323.53	54.30
40-70	1008.36	41.40
60-80	339.95	14.00
70-80	111.82	4.60
80-90	28.12	1.20
90-110	0.00	0.00
90-120	0.00	0.00
90-130	0.00	0.00
90-150	0.00	0.00
<b>90-180</b>	<b>0.00</b>	<b>0.00</b>
110-180	0.00	0.00
0-180	2435.28	100.00

**Meta Ice**

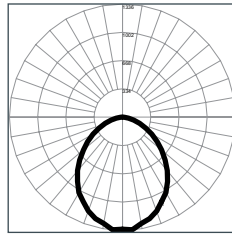
File Name: S6-1L35K-4-M-L3  
 Luminaire Lumens: 2850  
 Total Watts: 24  
 Efficacy: 118 lms/W

**COEFFICIENTS OF UTILIZATION**

Zonal Cavity Method | Effective Floor Cavity Reflectance = .20

RC RW	80				70				50			
	70	50	30	10	70	50	30	10	70	50	30	10
RCR												
0	101	101	101	101	99	99	99	99	94	94	94	94
1	93	90	86	84	91	88	85	82	84	82	80	80
2	86	79	74	70	84	78	73	69	75	71	67	67
3	79	71	64	59	77	69	63	59	67	62	58	58
4	73	63	56	51	71	62	56	51	60	54	50	50
5	67	57	50	44	65	56	49	44	54	48	44	44
6	62	52	44	39	61	51	44	39	49	43	39	39
7	58	47	40	35	56	46	40	35	45	39	35	35
8	54	43	36	32	53	43	36	31	41	36	31	31
9	51	40	33	29	50	39	33	29	38	32	28	28
10	48	37	30	26	47	36	30	26	36	30	26	26

**PHOTOMETRIC CURVE**



**LUMINANCE DATA (CD/M²)**

Vertical Angle	Horizontal Angle		
	0	45	90
45	5198	3134	2581
55	4347	2212	1751
65	3365	1427	1090
75	2172	730	518
85	839	175	137

**CANDELA DISTRIBUTION**

Vertical Angle	Horizontal Angle			
	0	30	60	90
0	1322.81	1322.81	1322.81	1322.81
5	1336.31	1316.14	1318.16	1310.24
10	1274.36	1288.29	1278.81	1276.54
15	1240.44	1222.49	1225.81	1221.28
20	1181.26	1159.12	1149.92	1141.46
25	1099.07	1092.99	1062.96	1055.19
30	1027.54	1002.89	968.3	950.02
35	927.73	900.76	861.03	827.29
40	824.4	798.29	739.54	715.72
45	714.17	692.26	631.04	603.97
50	602.18	579.78	521.68	497.59
55	504.3	468.79	422.14	399.02
60	402.82	374.31	327.2	314.76
65	306.52	281.33	248.38	234.29
70	216.3	199.09	173.28	165.55
75	137.76	128.38	111.18	101.1
80	73.5	67.31	58.82	54.19
85	28.37	25.48	22.68	23.31
90	7.12	5.51	5.92	7.26

**ZONAL LUMEN SUMMARY**

Zone	Lumens	%Fixt
0-20	469.73	16.50
0-30	965.33	33.80
0-40	1515.31	53.10
0-60	2426.99	85.00
0-80	2822.14	98.90
<b>0-90</b>	<b>2854.5</b>	<b>100.00</b>
10-90	2729.9	95.60
20-40	1045.58	36.60
20-50	1555.12	54.50
40-70	1177.51	41.30
60-80	395.15	13.80
70-80	129.32	4.50
80-90	32.36	1.10
90-110	0.00	0.00
90-120	0.00	0.00
90-130	0.00	0.00
90-150	0.00	0.00
<b>90-180</b>	<b>0.00</b>	<b>0.00</b>
110-180	0.00	0.00
0-180	2854.5	100.00