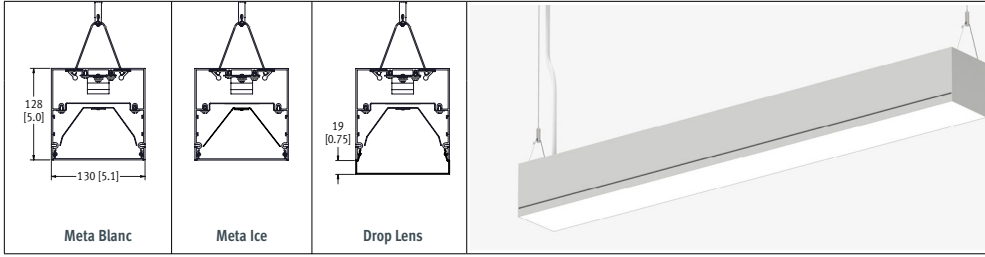


Rail 6 S6 (Formerly Sequence)

LED . Pendant



DLC Applicable only to Meta Ice Optics



CAT #:
PREP BY:
DATE:
PROJECT:
TYPE:
NOTES:

ORDERING LOGIC

Example Part Number: S6-1L35K-8-MB-W-L31-PA-1-D-90

S6	Series	Color Temp	Length/Pattern	Optics Up	Optics Down	Finish	LL/Driver	Circuitry	Mounting	Voltage	Controls	Options
		Color Temp	Length/Pattern (Cont'd)	Optics Up	Light Level (LL) / Driver			Circuitry	Voltage			
		1L30K = 3000K	8 = 8 ft	= None (leave space empty)	Performance at 3500K 0-10V Dimming (Standard)			1 = 1 Circuit	1 = 120 V			
		1L35K = 3500K	9 = 9 ft	Optics Down	Optics	Light Level	Lumens Delivered	Wattage	Efficacy (LPW)	EM = Emergency / Night Light	2 = 277 V	
		1L40K = 4 ft	10 = 10 ft	MB = Meta Blanc	MB	L1	1479	13.8	107	B = Battery Pack	3 = 347 V	
		1LTUN = 2-White Tunable (2700 - 6500K)	11 = 11 ft	M = Meta Ice		L2	1824	17.6	104	Mounting		
		Length/Pattern	12 = 12 ft	MD = Drop Lens**		L3	2435	24.2	101	PA = Pendant Aircraft Cable	4 = UNV (120 - 277 V)	
		2 = 2 ft	R = Continuous Rows See page 3	Finish		L4	4483	49.9	90	PT = Pendant Aircraft Cable for T-Bar	= None (leave space empty)	
		3 = 3 ft	G = Square / Rectangle	SA = Satin Aluminum	M	L1	1730	13.8	125	Controls		
		4 = 4 ft	U = U-Shape	W = White		L2	2133	17.6	121	Select HANGER LENGTH and HANGER FINISH on p.3	D = Daylight Sensor	
		5 = 5 ft	L = L-Shape	C = Custom Finish Specify RAL#:		L3	2850	24.2	118		O = Occupancy Sensor	
		6 = 6 ft	C = Custom Pattern*			L4	5248	49.8	105		DO = Daylight/Occupancy Sensor	
		7 = 7 ft	Enter pattern dimensions on page 2		MD	L1	1433	14	102		Options	
						L2	1793	17.69	101	90 = 90 CRI		
						L3	2439	24.2	100	= None (leave space empty)		
						L4	4523	49.9	90			
					Lumen Adjustment Factor							
					Color Temp	80 CRI	90 CRI					
					3000K	0.984	0.873					
					3500K	1.000	0.875					
					4000K	1.032	0.879					

* Consult factory for custom patterns, including X and T patterns. | ** Drop lens is not available with patterns.

SPECIFICATIONS

Due to the Continuous Improvement Policy at Metalumen, we reserve the right to change our specifications without notice.

Housing: Rigid extruded aluminum body, 2.0mm (0.08") nominal wall thickness, and steel formed end caps.

Optical System: Optical System MetaLED mid flux LED technology transmits to an internal high performance-side kicking reflector that then passes through our Meta Blanc or Meta Ice acrylic diffuser for smooth distribution, creating a continuation of smooth consistent light.

CRI: 83+ for 3500K, 80 minimum for all CCTs in standard configurations.

Lumen Maintenance: At an ambient operating temperature of 35°C, the LED lifetime expectancy > 60 000hrs at L85.

Finish: Satin aluminum and white are standard finishes. For custom finish, contact factory.

Weight: 1.7 kg/300mm [3.8 lb/ft]

Mounting: Aircraft cable yoke complete with a Quick-Grip field adjustable suspension system provides for quick and easy on-site alignment.

Electrical: Factory prewired with easy wire

quick connect sections.

Drivers: Metalumen offers dimming drivers as a standard on our entire LED product offering at 0-10V. Dimming is 10%-100% range Power factor is >90% with a Class 2 rating.

Controls: Refer to Ordering Logic chart above.

Lutron Driver Options: Consult factory for Lutron driver options:

- L3DAE Hi-lume 1% EcoSystem LED Driver
- L3DA3W Hi-lume 1% 3-wire LED Driver
- LTEA2W Hi-lume 1% 2-wire LED Driver
- LDE1I Hi-lume 1% -H EcoSystem LED Driver

• LDES 5-Series EcoSystem LED Driver

Approvals: Certified to NRTL safety and IES recommendation testing standards. cULus listed. All components are CSA/QPS recognized or listed, RoHS, LM79, LM80 and LM82 compliant.

Environment: Suitable for dry or damp locations.

APPROVALS Signature _____

Date _____

FILE NAME: S6_P_SPEC_SHEET_20180508

570 Southgate Drive, Guelph, Ontario N1G 4P6
Mailing Address: P.O. Box 1779 Guelph, Ontario, N1H 6Z9

1.800.621.6785 | T 519.822.4381 | F 519.822.4589
www.metalumen.com

Metalumen

FEATURES

COMMERCIAL // Commercial Lighting - With over 30 years of successful architectural lighting, providing unique concept and installation solutions has become second nature. Metalumen's Start to End Development Process results in unique performance, design and architectural requirements from concept through implementation. Metalumen's Lighting Solutions have been applied to customer projects requiring: high profile architectural installations; improved

energy efficiency; retrofit installations; unique installations. Metalumen can provide top-quality innovative fixtures when and where they are needed and, at the same time, allow the customer to determine their level of involvement in Metalumen's Start to End Development Process.


EDULUMEN // Educational Lighting - Edulumen is a collection of premium luminaires that maximize both the functionality and

performance of any educational facility. Based on maximum efficiency, integration of controls and exceptional design, Edulumen will earn high marks for meeting your requirements. Students challenge themselves throughout the day to achieve, and Metalumen is dedicated to this by creating sustainable environments that foster enhanced educational experiences.


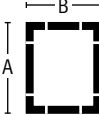
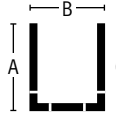

Metalumen. A slim LED platform for any of your LED linear application.

DAMP Suitable for dry or damp locations.

META LED boards with a raw efficacy of over 120lm/W, proprietary to

	<p>RAIL 6 S6 Family DLC Approved</p>	<p>For more Metalumen DLC Approved Products, visit the DLC Website</p>
---	---	--

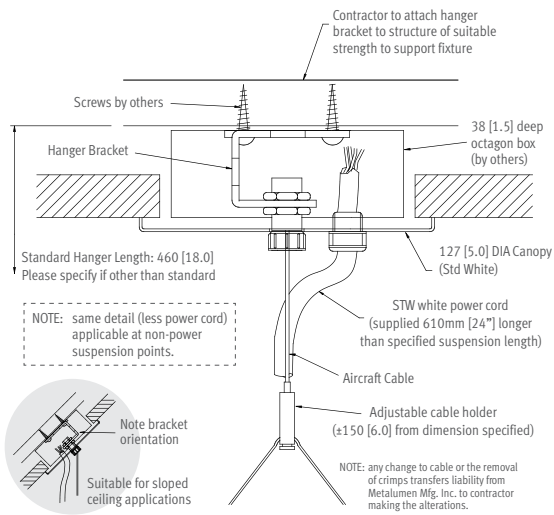
PATTERNS

	Square (G)	Rectangle (G)	U-Shape (U)	L-Shape (L)
Select Pattern				
Pattern Configuration				
Indicate Desired Lengths (ft)	A =	A = B =	A = B = C =	A = B =
Minimum Lengths	4' for all sides		A = 3', B = 4', C = 3'	A = 3', B = 3'

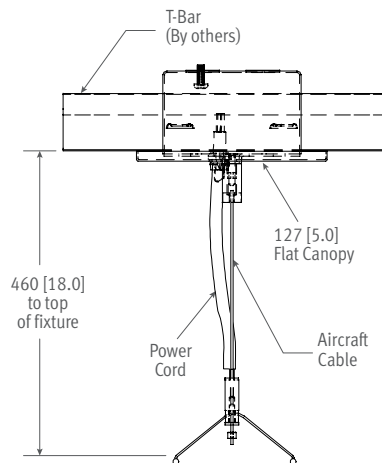
Record drawings will be sent out upon order showing mounting locations.

HANGERS

Aircraft Cable & Cord



T-Bar Aircraft Cable & Cord



HANGER FINISH

- White Paint (Standard)
- Custom Specify RAL#:

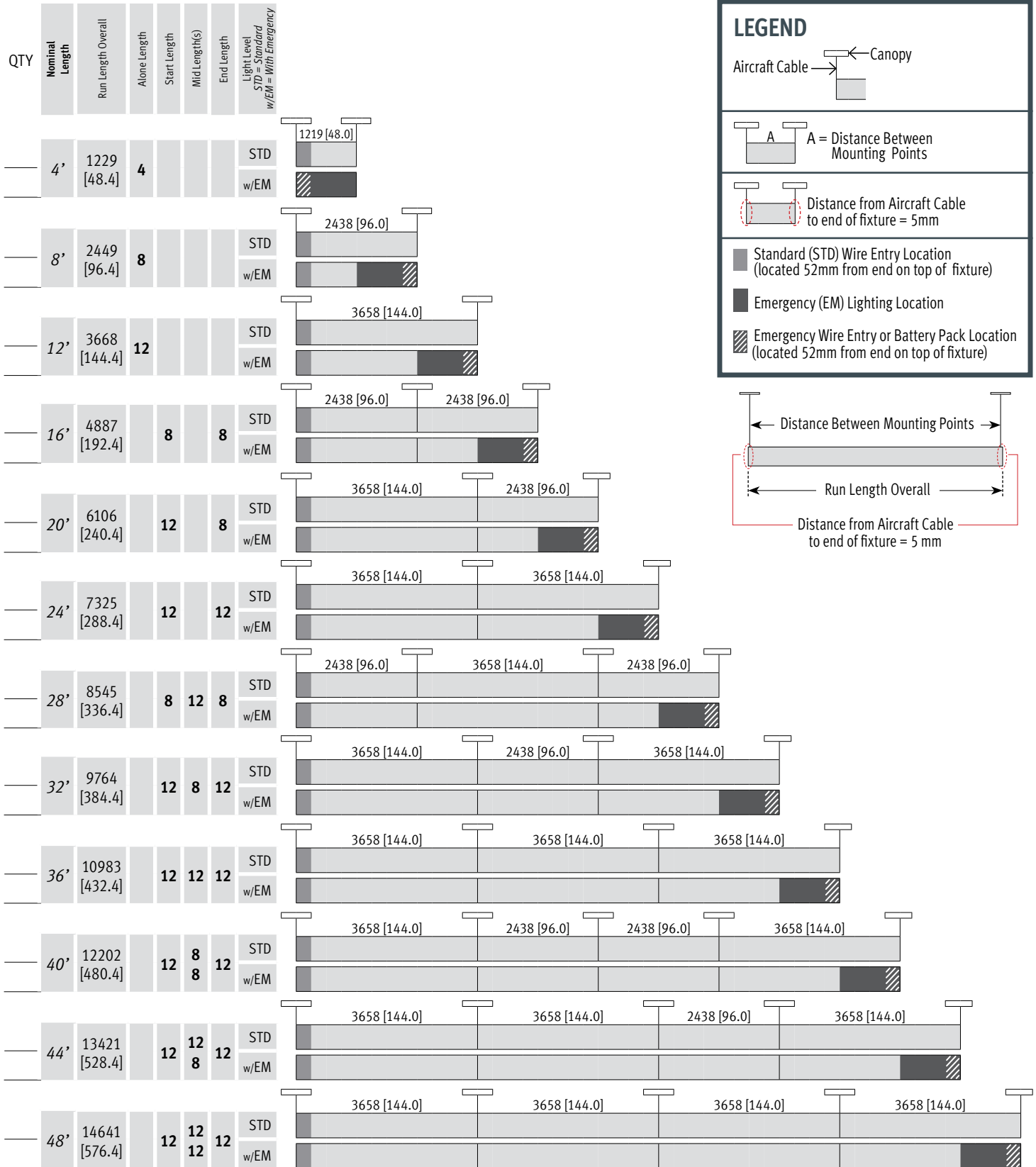
Select Hanger Length below:

AIRCRAFT CABLE

Total adjustment range is 6" up & down for each standard length.
All other lengths are considered custom unless otherwise stated.

	IMPERIAL (in)	METRIC (mm)
<input type="checkbox"/>	12	305
<input type="checkbox"/>	18	460
<input type="checkbox"/>	24	610
<input type="checkbox"/>	30	760
<input type="checkbox"/>	36	915
<input type="checkbox"/>	42	1067
<input type="checkbox"/>	48	1220
<input type="checkbox"/>	54	1372
<input type="checkbox"/>	60	1525
<input type="checkbox"/>	72	1830
<input type="checkbox"/>	96	2440
<input type="checkbox"/>	120	3050
<input type="checkbox"/>	144	3660
<input type="checkbox"/>	Custom length:	

MOUNTING - ROW CONFIGURATIONS



FILE NAME: S6_P_SPEC_SHEET_20180508

