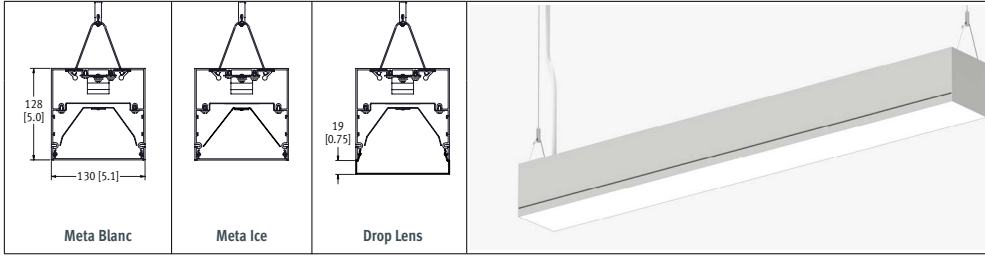


# Rail 6 S6

LED . Pendant



CAT #:
PREP BY:
DATE:
PROJECT:
TYPE:
NOTES:

## ORDERING LOGIC

Example Part Number: S6-1L35K-8-MB-W-L31-PA-1-D-90

S6	Color Temp	Length	Pattern	Optics	Up	Down	Finish	LL/Driver	Circuitry	Mounting	Voltage	Controls	Options																																																					
<b>Color Temp</b>	<b>Optics Up</b>	<b>Light Level (LL) / Driver</b>		<b>Circuitry</b>		<b>Voltage</b>																																																												
1L30K = 3000K	_ = None (leave space empty)		<b>Performance at 3500K</b>		1 = 1 Circuit		1 = 120 V																																																											
1L35K = 3500K	<b>Optics Down</b>		0-10V Dimming (Standard)		EM = Emergency / Night Light		2 = 277 V																																																											
1L40K = 4000K	MB = Meta Blanc (Opal Diffuse)		Integral Drivers		B = Battery Pack		3 = 347 V																																																											
1LTUN = 2-White Tunable (2700 - 6500K)	M = Meta Ice (High Output Semi-Diffuse)		<table border="1"> <thead> <tr> <th>Optics</th> <th>Light Level</th> <th>Lumens Delivered</th> <th>Wattage</th> <th>Efficacy (lm/W)</th> </tr> </thead> <tbody> <tr> <td rowspan="4">MB</td> <td>L1</td> <td>1479</td> <td>13.8</td> <td>107</td> </tr> <tr> <td>L2</td> <td>1824</td> <td>17.6</td> <td>104</td> </tr> <tr> <td>L3</td> <td>2435</td> <td>24.2</td> <td>101</td> </tr> <tr> <td>L4</td> <td>4483</td> <td>49.9</td> <td>90</td> </tr> <tr> <td rowspan="4">M</td> <td>L1</td> <td>1730</td> <td>13.8</td> <td>125</td> </tr> <tr> <td>L2</td> <td>2133</td> <td>17.6</td> <td>121</td> </tr> <tr> <td>L3</td> <td>2850</td> <td>24.2</td> <td>118</td> </tr> <tr> <td>L4</td> <td>5248</td> <td>49.8</td> <td>105</td> </tr> <tr> <td rowspan="3">MD</td> <td>L1</td> <td>1509</td> <td>14.0</td> <td>108</td> </tr> <tr> <td>L2</td> <td>1888</td> <td>17.7</td> <td>107</td> </tr> <tr> <td>L3</td> <td>2567</td> <td>24.2</td> <td>106</td> </tr> <tr> <td>L4</td> <td>4762</td> <td>49.9</td> <td>95.4</td> </tr> </tbody> </table>		Optics	Light Level	Lumens Delivered	Wattage	Efficacy (lm/W)	MB	L1	1479	13.8	107	L2	1824	17.6	104	L3	2435	24.2	101	L4	4483	49.9	90	M	L1	1730	13.8	125	L2	2133	17.6	121	L3	2850	24.2	118	L4	5248	49.8	105	MD	L1	1509	14.0	108	L2	1888	17.7	107	L3	2567	24.2	106	L4	4762	49.9	95.4	4 = UNV (120 - 277 V)					
Optics	Light Level	Lumens Delivered	Wattage	Efficacy (lm/W)																																																														
MB	L1	1479	13.8	107																																																														
	L2	1824	17.6	104																																																														
	L3	2435	24.2	101																																																														
	L4	4483	49.9	90																																																														
M	L1	1730	13.8	125																																																														
	L2	2133	17.6	121																																																														
	L3	2850	24.2	118																																																														
	L4	5248	49.8	105																																																														
MD	L1	1509	14.0	108																																																														
	L2	1888	17.7	107																																																														
	L3	2567	24.2	106																																																														
L4	4762	49.9	95.4																																																															
<b>Length</b>		<b>Pattern</b>		<b>Finish</b>		<b>Mounting</b>		<b>Controls</b>																																																										
2 = 2 ft	8 = 8 ft	G = Square / Rectangle		SA = Satin Aluminum		PA = Pendant Aircraft Cable		PT = Pendant Aircraft Cable for T-Bar		-																																																								
3 = 3 ft	9 = 9 ft	U = U-Shape		W = White		Select HANGER LENGTH and HANGER FINISH on p.3		D = Daylight Sensor		-																																																								
4 = 4 ft	10 = 10 ft	L = L-Shape		C = Custom Finish Specify RAL#:				O = Occupancy Sensor		-																																																								
5 = 5 ft	11 = 11 ft	C = Custom Pattern*						DO = Daylight/Occupancy Sensor		-																																																								
6 = 6 ft	12 = 12 ft	Enter pattern dimensions on p.2								-																																																								
7 = 7 ft		_ = None (leave space empty)								-																																																								
R = Continuous Rows (See p.3)										-																																																								
C = Custom Length (Consult factory)										-																																																								
_ = None (leave space empty)										-																																																								
												<b>Options</b>																																																						
												90 = 90 CRI																																																						
												_ = None (leave space empty)																																																						

\* Consult factory for custom patterns, including X and T patterns. | \*\* Drop lens is not available with patterns.

## SPECIFICATIONS

Due to the Continuous Improvement Policy at Metalumen, we reserve the right to change our specifications without notice.

**Housing:** Rigid extruded aluminum body, 2.0mm (0.08") nominal wall thickness, and steel formed end caps.

**Optical System:** Metalumen luminaires are designed to utilize leading edge LED technology combined with luminaire optimized reflectors and our custom diffusers, resulting in industry leading optical performance.

**CRI:** 83+ for 3500K, 80 minimum for all CCTs in standard configurations.

**Lumen Maintenance:** Minimum 50,000h with TM-21 lumen maintenance of 85% @ 25°C ambient temperature (calculated based on IESNA LM-80-08 LED test data). L70: ≥ 60 000hrs.

**Weight:** 1.7 kg/300mm [ 3.8 lb/ft ]

**Mounting:** Aircraft cable yoke complete with a Quick-Grip field adjustable suspension system provides for quick and easy on-site alignment.

**Electrical:** Factory prewired with easy wire

quick connect sections.

**Drivers:** Metalumen offers dimming drivers as a standard on our entire LED product offering at 0-10V. Dimming range is 10%-100%. Power factor is > 90%. Class 2 rating. Drivers are integral.

**Controls:** Refer to Ordering Logic chart above.

**Lutron Driver Options:** Consult factory for Lutron LED driver options:

**LHE H-Series Hi-lume 1% EcoSystem**

**LA2 A-Series Hi-lume 1% 2-wire**

**L5E 5-Series EcoSystem 5-Series**

**Approvals:** Certified to NRTL safety and IES recommendation testing standards. cULus listed. All components are CSA/QPS recognized or listed, RoHS, LM79, LM80 and LM82 compliant.

**Environment:** Suitable for dry or damp locations.

APPROVALS Signature \_\_\_\_\_

Date \_\_\_\_\_

FILE NAME: S6\_P\_SPEC\_SHEET\_20190806

570 Southgate Drive, Guelph, Ontario N1G 4P6  
Mailing Address: P.O. Box 1779 Guelph, Ontario, N1H 6Z9

1.800.621.6785 | T 519.822.4381 | F 519.822.4589  
www.metalumen.com

**Metalumen**

## FEATURES

**Commercial Lighting** - With over 30 years of successful architectural lighting, providing unique concept and installation solutions has become second nature. Metalumen's Start to End Development Process results in unique performance, design and architectural requirements from concept through implementation. Metalumen's Lighting Solutions have been applied to customer

projects requiring: high profile architectural installations; improved energy efficiency; retrofit installations; unique installations. Metalumen can provide top-quality innovative fixtures when and where they are needed and, at the same time, allow the customer to determine their level of involvement in Metalumen's Start to End Development Process.

**Educational Lighting** - A collection of premium luminaires that maximize both the functionality and performance of any educational facility. Based on maximum efficiency, integration of controls and exceptional design, Edulumen will earn high marks for meeting your requirements. Students challenge themselves throughout the day to achieve, and Metalumen is dedicated to this by

creating sustainable environments that foster enhanced educational experiences.



Suitable for dry or damp locations.

	<p>RAIL 6 S6 Family DLC Approved</p>	<p>For more Metalumen DLC Approved Products, visit the <a href="#">DLC Website</a></p>
--	--	--

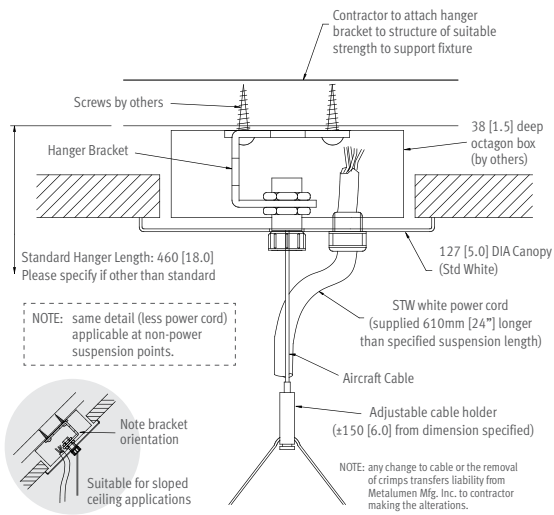
## PATTERNS

	Square (G)	Rectangle (G)	U-Shape (U)	L-Shape (L)
Select Pattern				
Pattern Configuration				
Indicate Desired Lengths (ft)	A =	A = B =	A =      B = C =	A = B =
Minimum Lengths	4' for all sides		A = 3', B = 4', C = 3'	A = 3', B = 3'

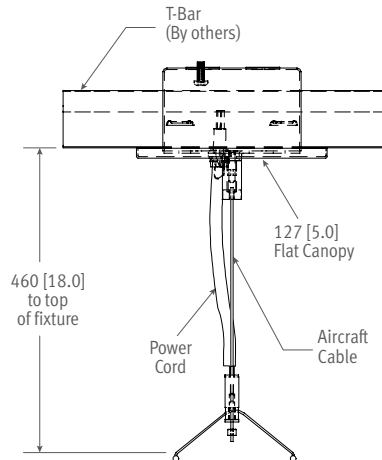
Record drawings will be sent out upon order showing mounting locations.

**HANGERS**

**Aircraft Cable & Cord**



**T-Bar Aircraft Cable & Cord**

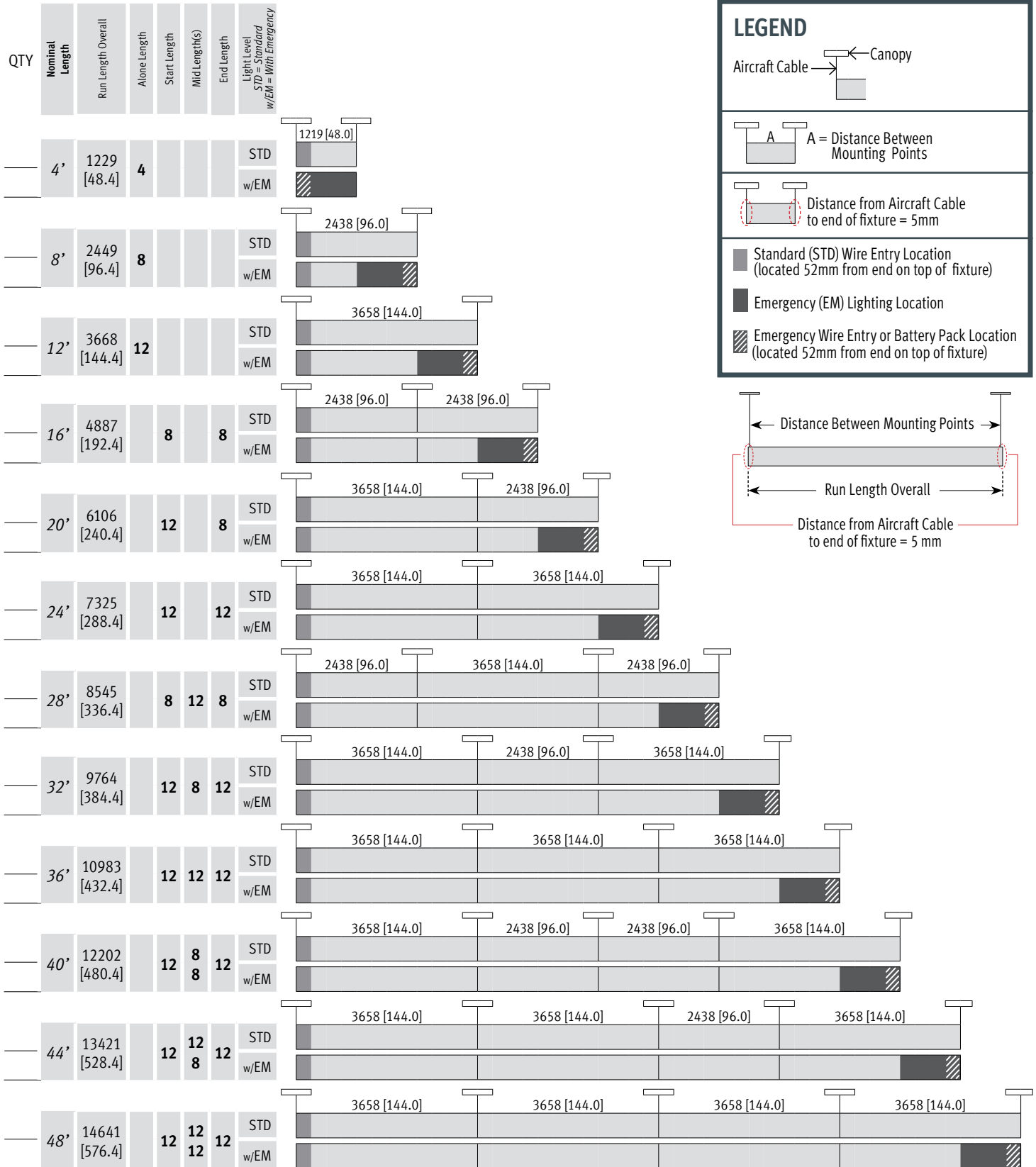


Select Hanger Length below:

<b>AIRCRAFT CABLE</b>		
Total adjustment range is 6" up & down for each standard length.		
All other lengths are considered custom unless otherwise stated.		
	IMPERIAL (in)	METRIC (mm)
<input type="checkbox"/>	12	305
<input type="checkbox"/>	18	460
<input type="checkbox"/>	24	610
<input type="checkbox"/>	30	760
<input type="checkbox"/>	36	915
<input type="checkbox"/>	42	1067
<input type="checkbox"/>	48	1220
<input type="checkbox"/>	54	1372
<input type="checkbox"/>	60	1525
<input type="checkbox"/>	72	1830
<input type="checkbox"/>	96	2440
<input type="checkbox"/>	120	3050
<input type="checkbox"/>	144	3660
<input type="checkbox"/>	Custom length:	

<b>CANOPY FINISH</b>	
<input type="checkbox"/>	White Paint (Standard)
<input type="checkbox"/>	Custom Specify RAL#:

**MOUNTING - ROW CONFIGURATIONS**



FILE NAME: S6\_P\_SPEC\_SHEET\_20190806

