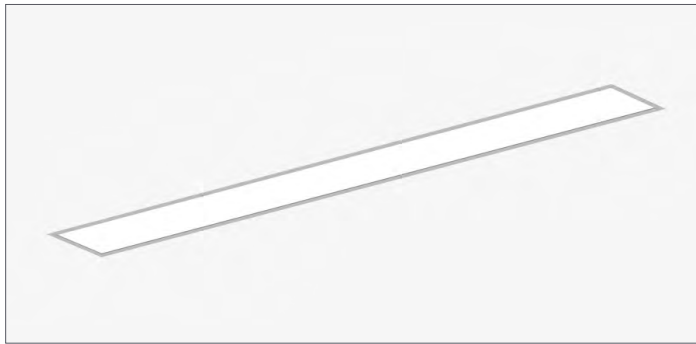


# RAIL 6 S6

TUNABLE . RECESSED DRYWALL . DIRECT



PART #:	
PREP BY:	DATE:
PROJECT:	QTY:
NOTES:	
APPROVAL SIGNATURE:	DATE (DD/MM/YYYY):

PERFORMANCE SUMMARY @ 3500K

		Meta Blanc (MB)
		L3
Lumens per foot	80 CRI 90 CRI	Contact factory for Light Level Performance
Wattage per foot		
Efficacy	80 CRI 90 CRI	
L70 Estimate (h)	≥ 100,000 hrs	

See page 2 for the complete Light Level Performance chart.

## FEATURES

- Independant control of intensity and correlated color temperature (CCT)
- Allows for scheduled mimicking of daylight color temperatures
- Dim-to-Warm simulates warmer CCT shift as luminaire dims (i.e. like traditional incandescent and halogen lights).

## ORDERING LOGIC

Example Part Number: S6-1LTUN-12-MB-W-L31-D-1-D-90

<b>S6</b>							<b>D</b>			
1	2	3	4	5	6	7	8	9	10	11
<b>1. SERIES</b> S6	<b>2. COLOR TEMP</b> 1LTUN Tunable White (2700 - 6500K) 1LDW Dim to Warm* (3500 - 2700K) 90 CRI is available under OPTIONS	<b>3. LENGTH</b> 2 2 ft 3 3 ft 4 4 ft 5 5 ft 6 6 ft 7 7 ft 8 8 ft 9 9 ft 10 10 ft 11 11 ft 12 12 ft RA Continuous Rows Replace "A" with length in feet selected on the CONTINUOUS ROWS page	<b>4. OPTICS</b> MB Meta Blanc  Meta Blanc: Opal diffuse lens	<b>5. FINISH</b> SA Satin Aluminum W White B Black C Custom Finish Specify RAL:	<b>6. LIGHT LEVEL / DRIVER</b> L1 Select Driver below. L2 Contact factory for Light Level Performance L3 L4	<b>7. CIRCUITRY</b> 1 1 Circuit EM Emergency / Night Light <sup>1</sup> B Emergency Battery Pack <sup>2</sup>	<b>8. MOUNTING</b> D Recessed Drywall Flanged	<b>9. VOLTAGE</b> 1 120 V 2 277 V 4 UNV (120 - 277V)	<b>10. CONTROLS / SENSORS</b> _ None (leave space empty) D Daylight Sensor** O Occupancy Sensor** DO Daylight and Occupany Sensors**	<b>11. OPTIONS</b> 90 90 CRI, High R9 _ None (leave space empty)

**PLEASE NOTE** Dim to Warm is not available with integrated sensors. Tunable White and Dim to Warm are available with emergency battery packs connected to the cool color LEDs only.

\* Consult factory for alternate options. | \*\* Controls intensity only (not CCT). | <sup>1</sup> Each EM pod, by default, has separate wire entry for DIM and CCT control. | <sup>2</sup> Battery operates 4ft sections only.

### Select Driver:

- Factory option dual 0-10V (Dim & CCT), 1% Dimming
- Lutron T Series EcoSystem, 1% Dimming
- DALI - Factory Option, DT6 Dual Address, 1% Dimming
- DALI - Factory Option, DT8 Single Address Color Control, 1% Dimming
- DALI - EldoLED

WIRING

Emergency / Night Light	Emergency Battery Pack

Luminaire with Integral Driver	
Line Voltage / Control to Luminaire	
Hard Wire	Power Cord
<p>(7) Leads</p>	<p>(18-6)</p> <p>VIOLET - DIM (+) Not available with fixture integrated occupancy or daylight sensor option.</p>

Luminaire with Remote Driver (BB Box)	
Line Voltage / Control to Remote Driver (BB Box)	
Hard Wire	Power Cord
<p>(7) Leads</p>	<p>(18-6)</p>

Remote Driver (BB Box) to Luminaire	
Hard Wire	Cord
<p>REMOTE DRIVER</p>	<p>(18-5)</p>

### CONTINUOUS ROWS

Step 1) Indicate desired quantity of rows under the QTY column

Step 2)  ← Pods →  If applicable, select pod(s) per row to indicate desired Emergency Lighting/Night Light/Battery Location. If a similar row requires a different Emergency lighting location, please fill out another sheet.

Record drawings for rows not represented here will be sent out upon order.

QTY	Nominal Length	Run Length Overall	Max. Recommended Length Drywall Opening (Max. Rec. Width = 105 mm)	Alone / Start Length	Mid Length(s)	End Length	ROWS IN PLAN VIEW
							Rows are for demonstration purposes only and are not to scale.
	4'	1243 [48.9]	1232 [48.5]	4			1221 [48.1]
	8'	2462 [96.9]	2451 [96.5]	8			2440 [96.1]
	12'	3682 [145.0]	3671 [144.6]	12			3660 [144.1]
	16'	4900 [192.9]	4890 [192.5]	8	8		4878 [192.0]
	20'	6120 [241.0]	6110 [240.5]	12		8	6098 [240.1]
	24'	7340 [289.0]	7330 [288.6]	12		12	7318 [288.1]
	28'	8558 [336.9]	8548 [336.5]	8	12	8	8536 [336.1]
	32'	9778 [385.0]	9768 [384.6]	12	8	12	9756 [384.1]
	36'	10998 [433.0]	10988 [432.6]	12	12	12	10976 [432.1]
	40'	12216 [481.0]	12206 [480.6]	12	8, 8	12	12194 [480.1]
	44'	13436 [529.0]	13426 [528.6]	12	12, 8	12	13414 [528.1]
	48'	14656 [577.0]	14646 [576.6]	12	12, 12	12	14634 [576.1]

#### LEGEND

- Standard Wire Entry Location (located on the end cap)
- Emergency (EM) / Night Light Location (4 ft sections)
- EM or Battery Wire Entry Location (EM wire entry is on the end cap)

**A**  A = Run Length (Body)

EM / Night Light and EM or Battery Wire Entry location in relation to pod selections:

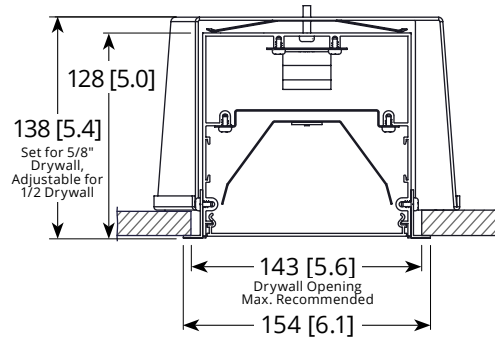
Example 20 ft run

570 Southgate Drive, Guelph, Ontario N1G 4P6  
Mailing Address: P.O. Box 1779 Guelph, Ontario, N1H 6Z9

1.800.621.6785 | T 519.822.4381 | F 519.822.4589  
www.metalumen.com

Page 3 of 4  
FILE NAME: S6\_TW\_D\_SPEC\_SHEET\_20221007

## CROSS SECTIONS



Meta Blanc

## SPECIFICATIONS

Due to the Continuous Improvement Policy at Metalumen, we reserve the right to change our specifications without notice.

**Housing:** Rigid extruded aluminum body, 2.0mm (0.08") nominal wall thickness. Aluminum end caps.

**Optical System:** Metalumen luminaires are designed to utilize leading edge LED technology combined with luminaire optimized reflectors and our custom diffusers, resulting in industry leading optical performance.

**CRI:** 83+ for 3500K, 80 minimum for all CCTs in standard configurations.

**Lumen Maintenance:** Minimum 50,000h with TM-21 lumen maintenance of 85% @ 25°C ambient temperature (calculated based on IESNA LM-80-08 LED test data). L70: ≥ 100,000hrs.

**Finish:** Satin aluminum, white and black are standard finishes. For

custom finish, contact factory.

**Weight:** 1.7 kg/300mm [ 3.8 lb/ft ]

**Mounting:** Mounting brackets provided.

**Electrical:** Factory prewired with easy wire quick connect sections.

**Drivers:** Metalumen offers 0-10V dimming\* as a standard on our entire LED product offering. Dimming range is 1%-100%. Power factor is > 90%. Class

2 rating. Drivers are integral.

**Approvals:** All components are UL/CSA/QPS recognized or listed. RoHS compliant. This product is cULus listed.

**Environment:** Suitable for dry or damp locations.

*\*Standard drivers compatible with passive/sinking dimmers. Please contact Metalumen if active/sourcing dimmer support is required.*

## WARRANTY

Metalumen will warrant defective luminaires for 5 years from date of purchase. Warranty is valid if luminaire is installed and used according to specification. If defective, Metalumen will send replacement boards or drivers at no cost along with detailed replacement instructions and instructions on how to return defective components to Metalumen.