

**NOTE:** The following instructions provide general guidelines for product installation. For additional information consult the applicable electrical codes or contact factory directly for support before attempting anything with uncertainty.

**WARNING:** Risk of fire and electrical shock. **DISCONNECT POWER AT ELECTRICAL PANEL** before installing or servicing this product.

#### GENERAL SAFETY INSTRUCTIONS:

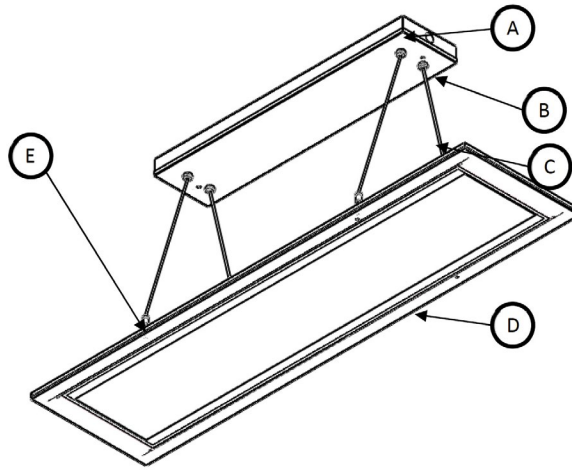
1. Read all instructions prior to installing this fixture.
2. This product must be installed in accordance with the applicable installation code by a person familiar with the construction and operation of the product and the hazards involved.
3. All wiring must be performed by a qualified electrician in accordance with national and local building and electrical codes.
4. This fixture must be suitably grounded for your protection against shock hazards and to assure proper operation.
5. Make sure that the power source conforms to the requirements of this fixture.
6. This product has accessible output terminals. Based on Canadian Electrical Code for class 2 circuits, this product requires installation in Restricted Access Area, so that no live parts are accessible to unauthorized persons.

Specifications and design subject to change without notice.

**PARTS LIST**

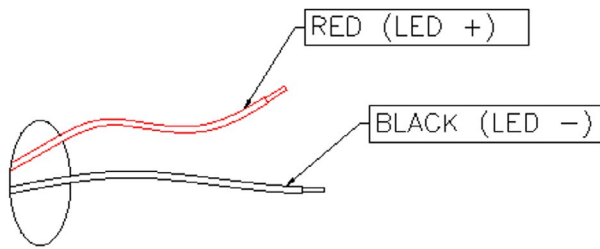
**PARTS LIST**

- A. Surface Canopy Base
- B. Canopy Cover
- C. Powered Aircraft Cable
- D. Luminaire
- E. Aircraft Cable Gripper



**WIRING DIAGRAMS**

**FIXTURE TO REMOTE DRIVER BOX**



**WIRE ENTRY PWR AC (REMOTE DRIVER)**

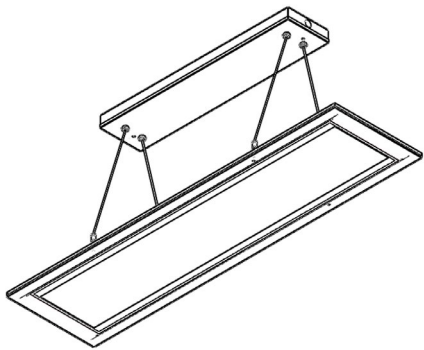
**REMOTE DRIVER BOX TO LINE VOLTAGE**

WIRE ENTRY 5 LEADS

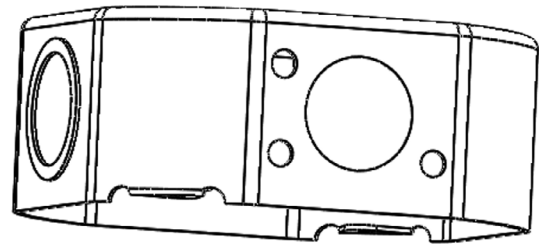


Specifications and design subject to change without notice.

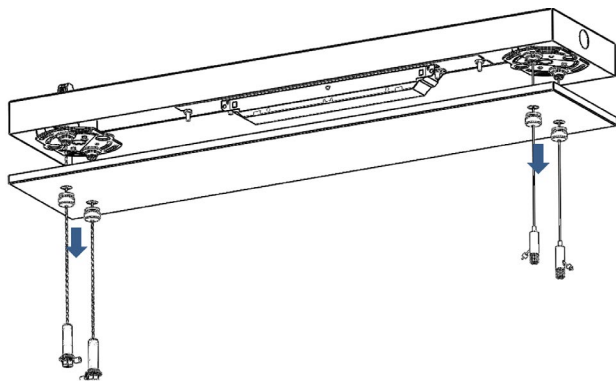
STEP-BY-STEP INSTALLATION INSTRUCTIONS



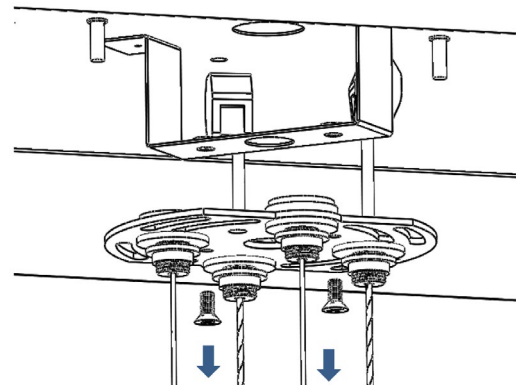
**STEP 1.** Remove fixture and all supplied parts from packaging. DO NOT REMOVE the protective film from the front surface of the fixture.



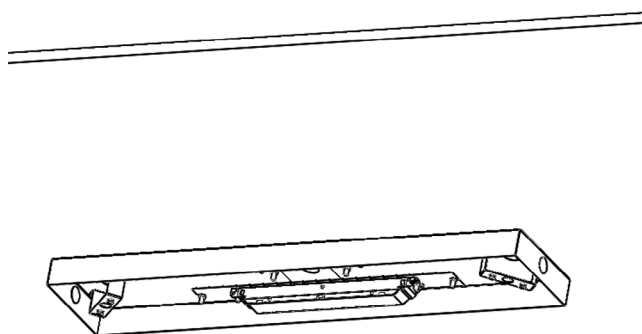
**STEP 2.** Secure Hex-Box (supplied by others) to a structure of suitable strength to support the fixture.



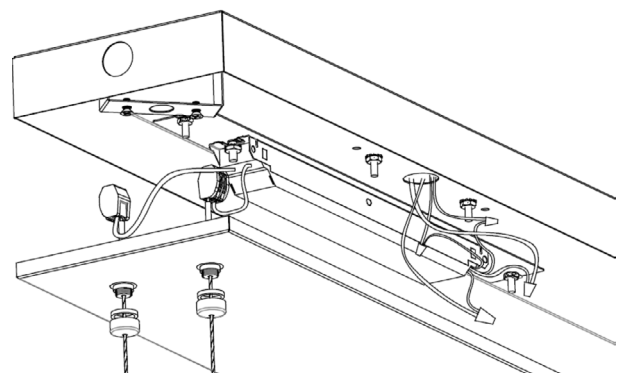
**STEP 3.** Disassemble Surface canopy by first unscrewing the 4 end caps then lower the canopy cover.



**STEP 4.** Detach the 2 canopy baseplates from the mounting brackets by unscrewing the 2 screws. Lower the baseplates.



**STEP 5.** Remove center knockout and Attach surface canopy base to ceiling with screws (supplied by others)

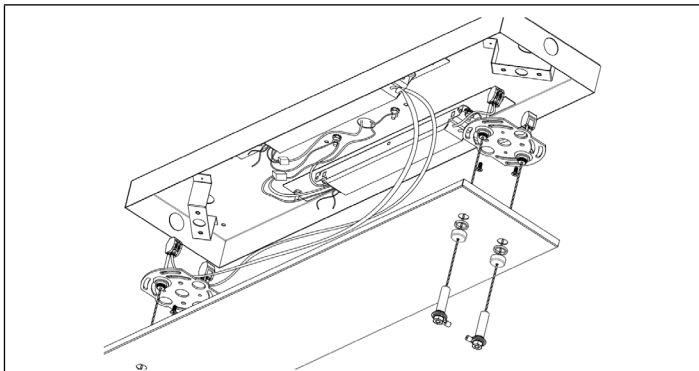


**STEP 6.1** Wire integral driver to line voltage.

**NOTE: SINGLE DRIVER SHOWN (FOR LIGHT-LEVEL L3 AND L4)**

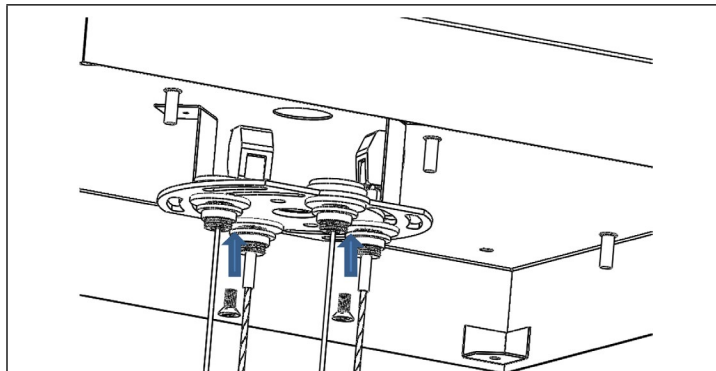
Specifications and design subject to change without notice.

STEP-BY-STEP INSTALLATION INSTRUCTIONS

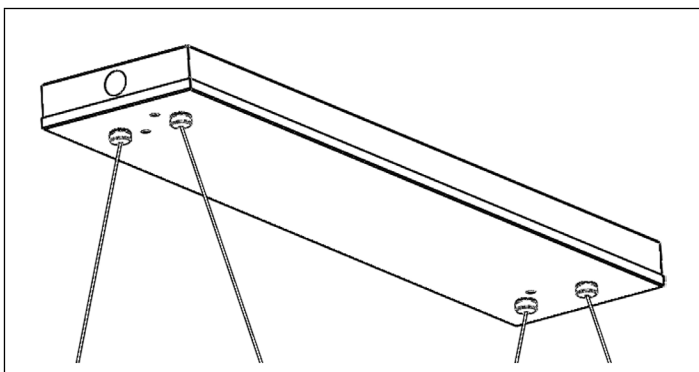


**STEP 6.2** Wiring for double driver configuration.

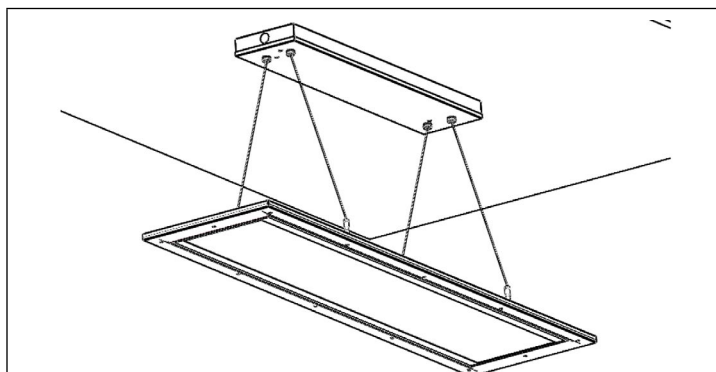
**NOTE: DOUBLE DRIVER SHOWN (FOR LIGHT-LEVEL L5 AND L6)**



**STEP 7.** Re-attach canopy baseplates to the canopy mounting brackets with flat head screws.



**STEP 8.** Secure canopy cover to the surface canopy base using 4 end caps.



**STEP 9.** Remove protective film from the front surface of the light fixture when installation is completed.

Specifications and design subject to change without notice.

## MAINTENANCE STEPS

## Required Tools

Plastic / Latex  
Gloves



Screwdriver



**Important:** Use clean gloves to avoid adding oil/dirt to reflector surface. Avoid scratching reflector surface by using installation tools with soft plastic rounded edges.

**To Clean the Optics:**

Gently wipe down the optics with a clean, dry cloth to remove any dust and light residues. For heavier smudges, spray clean cloth with mild soap and water solution and gently wipe optics surface.

**WARNING:** Hard wiping and abrasive cloths will scratch the optics. DO NOT USE cleaning products containing alcohol or acetone which will damage the optics.

Specifications and design subject to change without notice.