

IS-SCENE-22-T rev.01
SCENE RECESS T-BAR 2X2 AND 1X4
INSTALLATION INSTRUCTIONS

NOTE

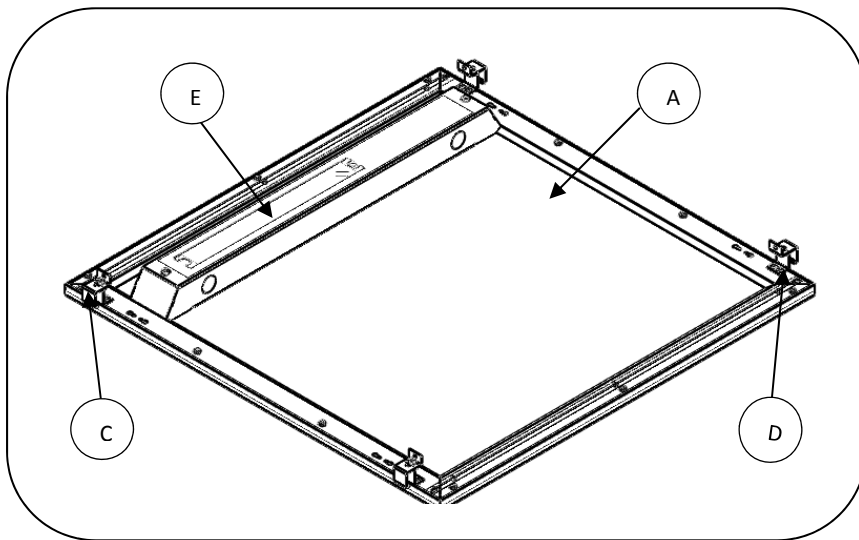
The following instructions provide general guidelines for product installation. These instructions apply to the 2x2 and 1x4 sized fixtures. For additional information consult the applicable electrical codes or contact factory directly for support before attempting anything with uncertainty.

WARNING

Risk of fire and electrical shock. **DISCONNECT POWER AT ELECTRICAL PANEL** before installing or servicing this product.

GENERAL SAFETY INSTRUCTIONS

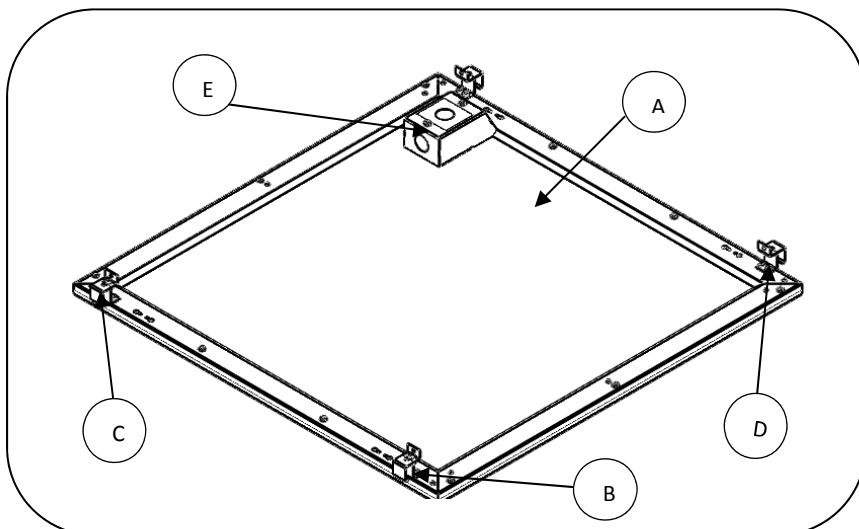
- Read all instructions prior to installing this fixture.
- This product must be installed in accordance with the applicable installation code by a person familiar with the construction and operation of the product and the hazards involved.
- All wiring must be performed by a qualified electrician in accordance with national and local building and electrical codes.
- This fixture must be suitably grounded for your protection against shock hazards and to assure proper operation.
- Make sure that the power source conforms to the requirements of this fixture.
- This product has accessible output terminals. Based on Canadian Electrical Code for class 2 circuits, this product requires installation in Restricted Access Area, so that no live parts are accessible to unauthorized persons.



T-BAR CENTERS SPACING		
FIXTURE	T-BAR LENGTH	T-BAR WIDTH
2' x 2'	609.9 mm (24.0")	609.9 mm (24.0")
1' x 4'	1219.2 mm (48.0")	304.8 mm (12.0")
FIXTURE FITS STANDARD T-BAR (9/16" & 15/16")		

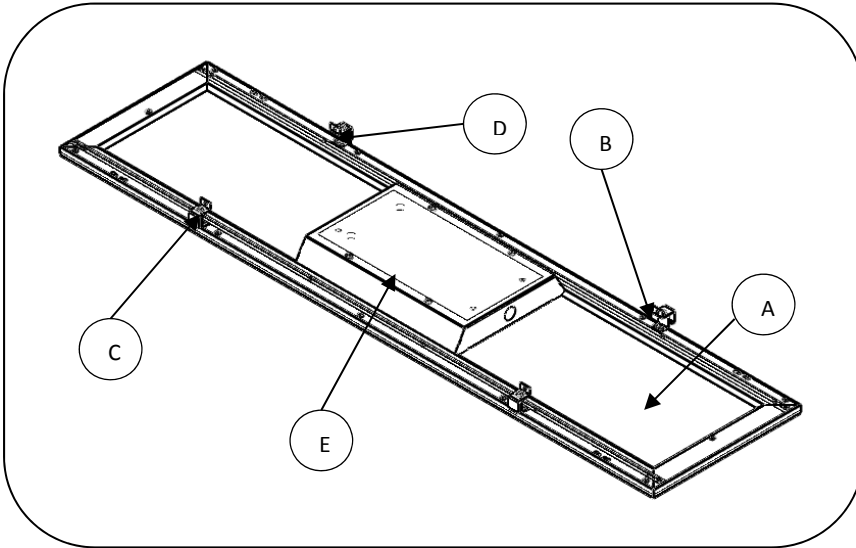
PARTS LIST: 2X2 INTEGRAL DRIVER

- A. Back of Luminaire enclosure
- B. Bottom T-bar mounting bracket
- C. Top T-bar mounting bracket
- D. Screw
- E. Driver Box



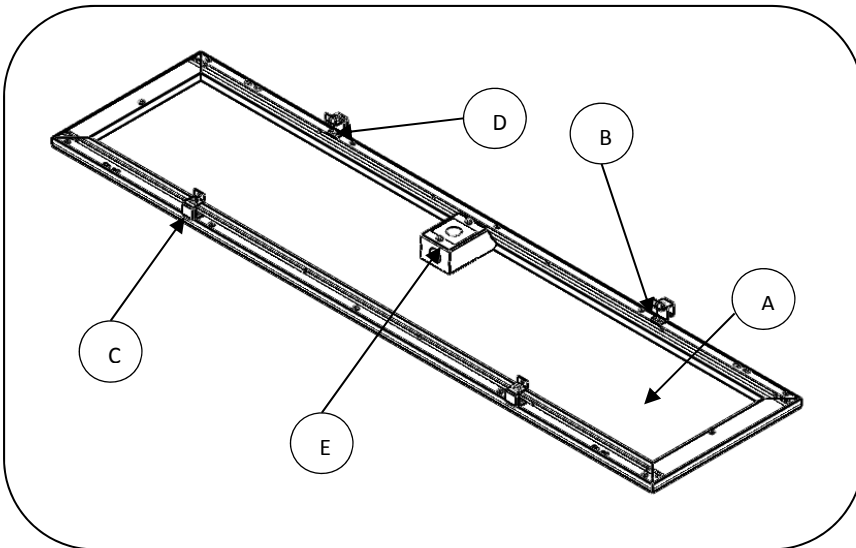
PARTS LIST: 2X2 REMOTE DRIVER

- A. Back of Luminaire enclosure
- B. Bottom T-bar mounting bracket
- C. Top T-bar mounting bracket
- D. Screw
- E. Junction Box for remote driver



PARTS LIST: 1X4 INTEGRAL DRIVER

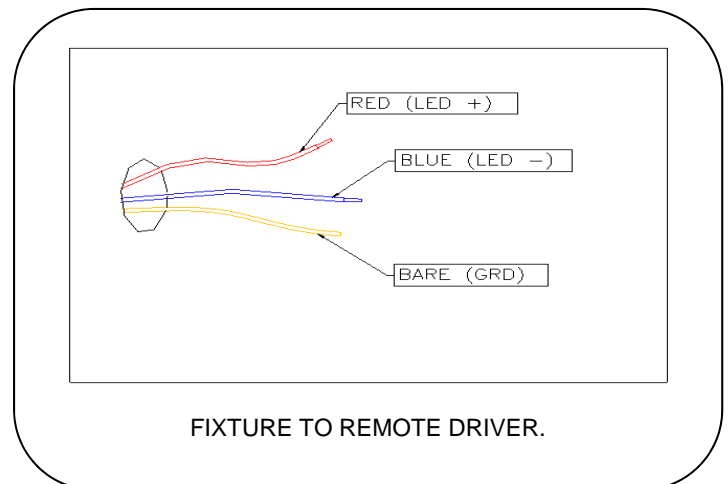
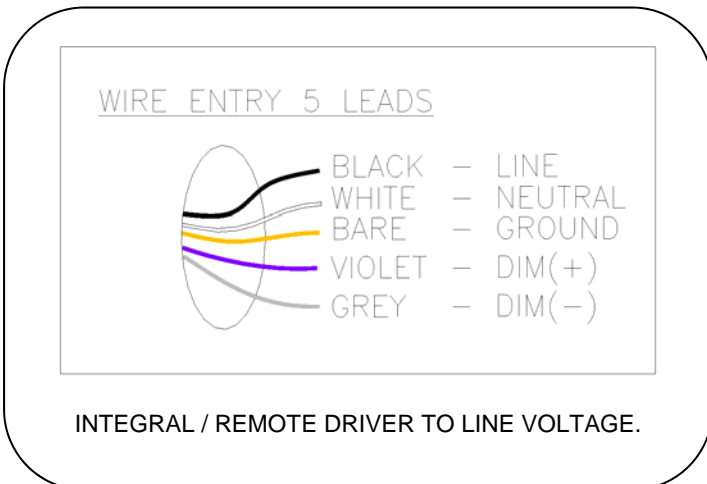
- A. Back of Luminaire enclosure
- B. Bottom T-bar mounting bracket
- C. Top T-bar mounting bracket
- D. Screw
- E. Driver Box

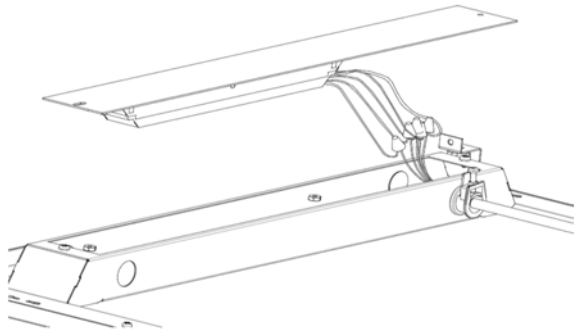


PARTS LIST: 1X4 REMOTE DRIVER

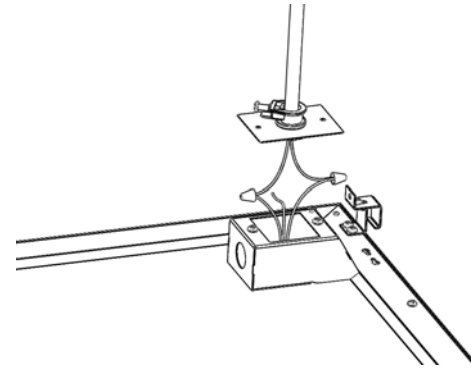
- A. Back of Luminaire enclosure
- B. Bottom T-bar mounting bracket
- C. Top T-bar mounting bracket
- D. Screw
- E. Junction Box for remote driver

WIRING DIAGRAM



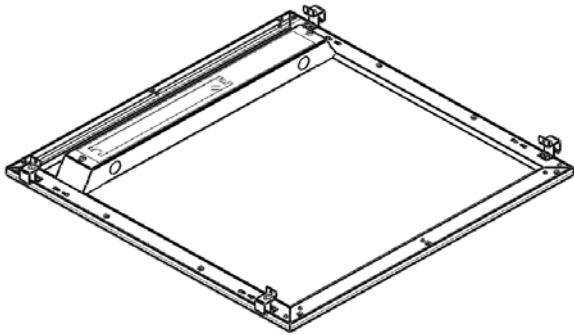


EXAMPLE WIRING OF LINE TO **INTEGRAL DRIVER**.

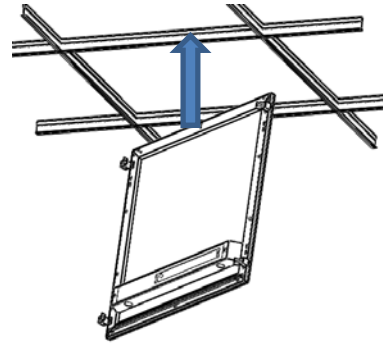


EXAMPLE WIRING OF FIXTURE TO **REMOTE DRIVER**

INSTALLATION STEPS

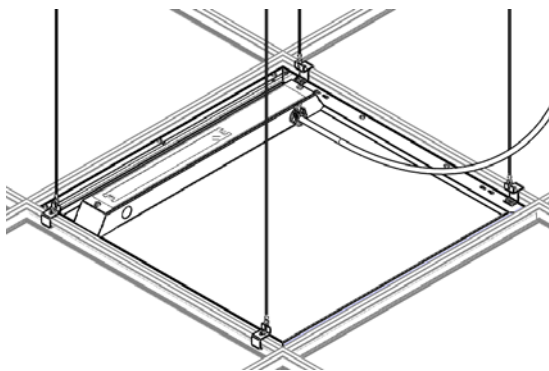


Step 1: Remove fixture and all supplied parts from packaging. **DO NOT REMOVE** the protective film from the front surface of the fixture. Fixture is shipped with T-bar brackets installed.

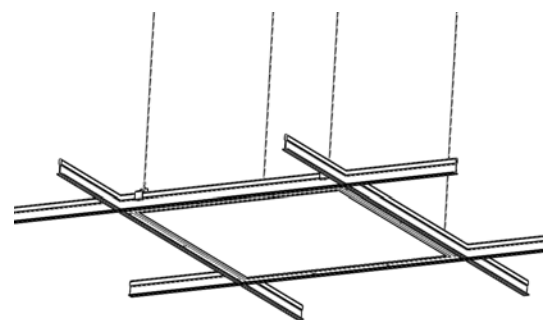


Step 2: Remove ceiling tiles (where fixture is to be installed) and adjacent tiles for easy access during installation. Install fixture into T-bar grid.

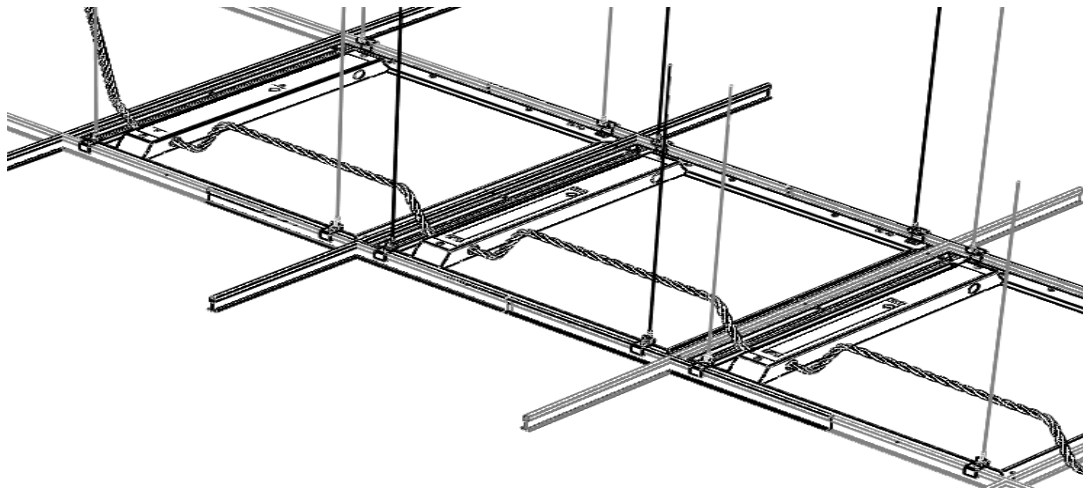
Step 3: Take out driver box cover by removing the two #8 1/4" screws. Remove knock out and install the BX connector. Feed power cable through connector and connect to driver. (Refer to Wiring Diagram.)



Step 4: Secure fixture to structure above by attaching security wire (supplied by others) to T-bar brackets at all mounting points.



Step 5: Remove protective film from the front surface of the light fixture when installation is completed.



Step 6: Typical daisy chained continuous rows installation, repeat steps 1-6 for all fixtures in a row. Make sure all fixtures are correctly aligned and orientated.

MAINTENANCE STEPS

Required Tools:



PLASTIC / LATEX GLOVES



SCREWDRIVER

Important: Use clean gloves to avoid adding oil/dirt to optics. Avoid scratching optics by using installation tools with soft plastic rounded edges.

To Clean the Optics:

- Gently wipe down the optics with a clean, dry cloth to remove any dust and light residues.
- For heavier smudges, spray clean cloth with mild soap and water solution and gently wipe optics surface.

WARNING: Hard wiping and abrasive cloths will scratch the optics. DO NOT USE cleaning products containing alcohol or acetone which will damage the optics.