

**NOTE:** The following instructions provide general guidelines for product installation. For additional information consult the applicable electrical codes or contact factory directly for support before attempting anything with uncertainty.

**WARNING:** Risk of fire and electrical shock. **DISCONNECT POWER AT ELECTRICAL PANEL** before installing or servicing this product.

### GENERAL SAFETY INSTRUCTIONS:

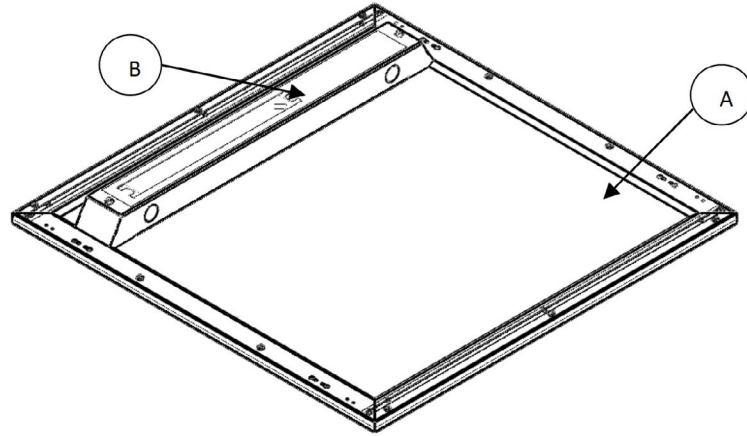
1. Read all instructions prior to installing this fixture.
2. This product must be installed in accordance with the applicable installation code by a person familiar with the construction and operation of the product and the hazards involved.
3. All wiring must be performed by a qualified electrician in accordance with national and local building and electrical codes.
4. This fixture must be suitably grounded for your protection against shock hazards and to assure proper operation.
5. Make sure that the power source conforms to the requirements of this fixture.
6. This product has accessible output terminals. Based on Canadian Electrical Code for class 2 circuits, this product requires installation in Restricted Access Area, so that no live parts are accessible to unauthorized persons.

Specifications and design subject to change without notice.

**PARTS LIST: 2x2 INTEGRAL DRIVER**

**PARTS LIST**

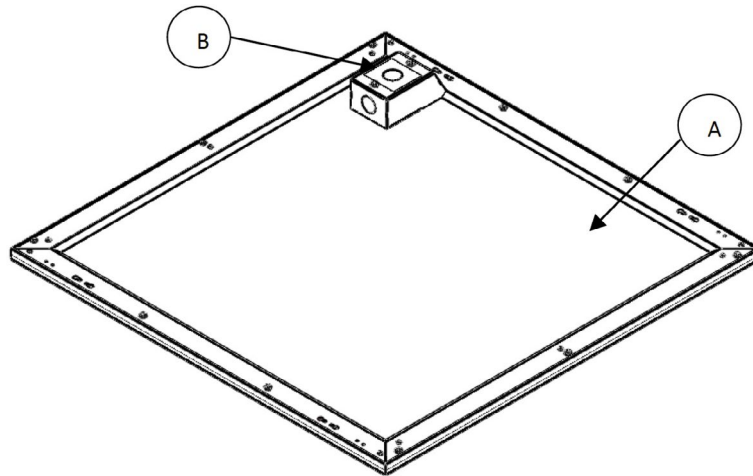
- A. Back of Luminaire Enclosure
- B. Driver Box



**PARTS LIST: 2x2 REMOTE DRIVER**

**PARTS LIST**

- A. Back of Luminaire Enclosure
- B. Junction Box for Remote Driver



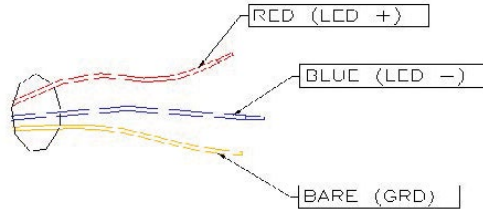
Specifications and design subject to change without notice.

**WIRING DIAGRAMS**

**INTEGRAL / REMOTE DRIVER TO LINE VOLTAGE.**

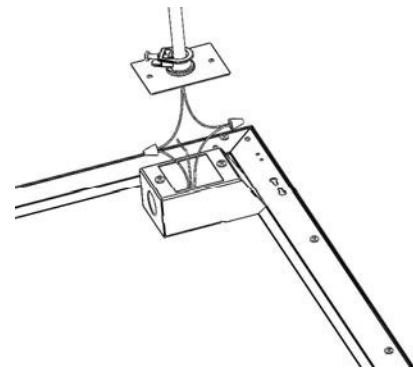
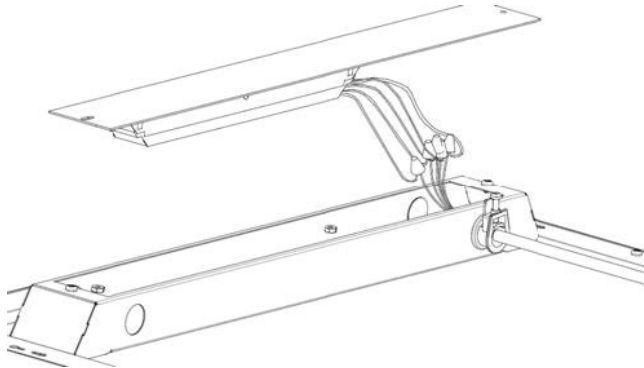
**FIXTURE TO REMOTE DRIVER.**

WIRE ENTRY 5 LEADS



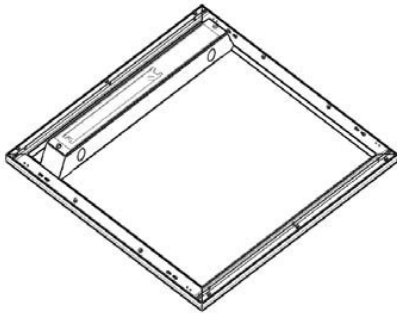
**EXAMPLE WIRING OF LINE TO INTEGRAL DRIVER.**

**EXAMPLE WIRING OF FIXTURE TO REMOTE DRIVER**

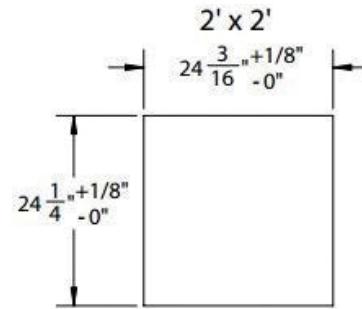


Specifications and design subject to change without notice.

STEP-BY-STEP INSTALLATION INSTRUCTIONS

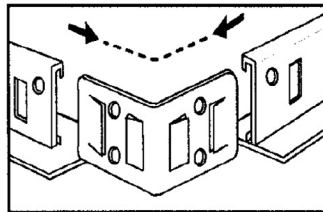


**STEP 1.** Remove fixture and all supplied parts from packaging. Do not remove the protective film from the front surface of the fixture.

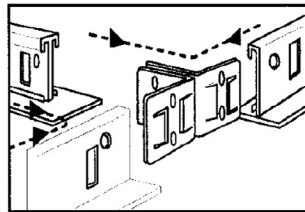


**STEP 2.** Create 24-3/16" x 24-1/4" ceiling opening.

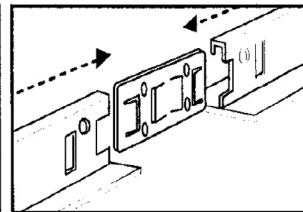
Drywall Frame Kit Assembly



Individual Unit Assembly

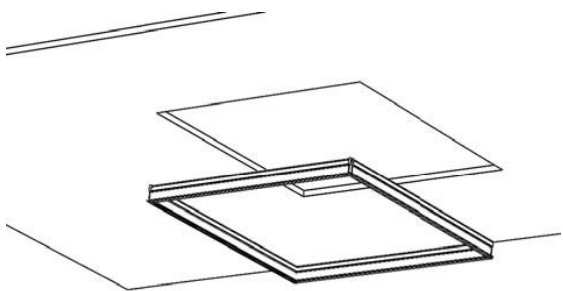


Individual Row Mount With Center Mullion Assembly

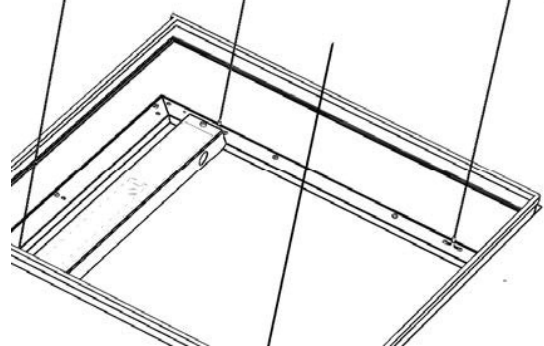


Un-interrupted Continuous Row Assembly (RCC & Concept 2 Continuous Row Series Only)

**STEP 3.** Assemble Drywall Frame kit.



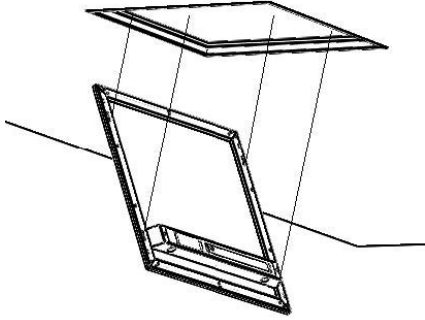
**STEP 4.** Once the cut out is made, insert drywall frame kit and secure bracket to bracing using appropriate fasteners (by others). Use shims to prevent bracket joints from opening.



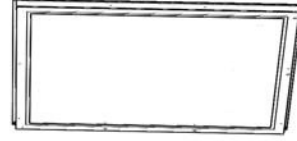
**STEP 5.** Attach safety cables (supplied by others) to a structure of suitable strength so as to support the fixture.

Specifications and design subject to change without notice.

## STEP-BY-STEP INSTALLATION INSTRUCTIONS



**STEP 6.** Install fixture into Drywall frame kit from below by angling fixture through installed frame and lowering fixture into position.



**STEP 7.** Remove protective film from the front surface of the light fixture when installation is completed.

Specifications and design subject to change without notice.

## MAINTENANCE STEPS

## Required Tools

Plastic / Latex  
Gloves



Screwdriver



**Important:** Use clean gloves to avoid adding oil/dirt to reflector surface. Avoid scratching reflector surface by using installation tools with soft plastic rounded edges.

**To Clean the Optics:**

Gently wipe down the optics with a clean, dry cloth to remove any dust and light residues. For heavier smudges, spray clean cloth with mild soap and water solution and gently wipe optics surface.

**WARNING:** Hard wiping and abrasive cloths will scratch the optics. DO NOT USE cleaning products containing alcohol or acetone which will damage the optics.

Specifications and design subject to change without notice.