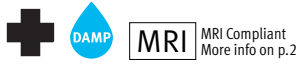
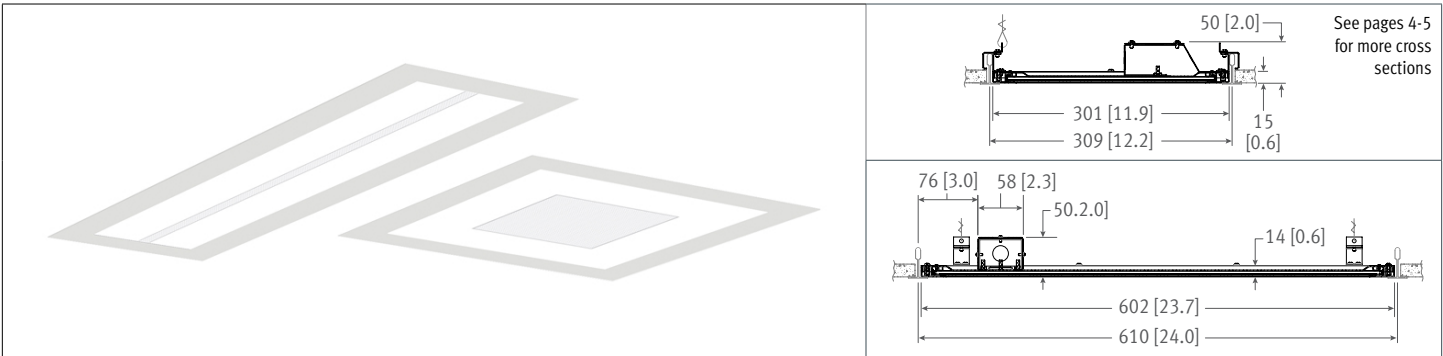


Scene SCYM

LED . Recessed



CAT #:	NOTES:
PREP BY:	
DATE:	
PROJECT:	
TYPE:	



ORDERING LOGIC

SCYM				AM	1			N																												
Series/Model	Color Temp	Size	Optics	Finish	LL/Driver	Circuitry	Mounting	Voltage	Controls	Options																										
Color Temp	Optics			Light Level (LL)/Driver*			Circuitry	Controls																												
2L30K = 3000K	2x2'	PQ = Perforated Square	CC = Circle in Circle	Fixture Lumens Light level measured at 3500K. Add 3% lumen output for 4000K. Add 6% lumen output for 5000K. Subtract 2% lumen output for 3000K.			1 = 1 Circuit (Standard)	N = None																												
2L35K = 3500K		QQ = Square in Square	SD = Standard Diffuser				Mounting		Options																											
2L40K = 4000K	1x4'	PS = Perforated Strip	SD = Standard Diffuser				T = Recessed T-Bar		RF = Medical Power Line Filter																											
2L50K = 5000K	Custom Graphic Must be ordered through the SCENE PHOTO GRAPHICS Spec Sheet						D = Recessed Drywall		N = None																											
Size	Finish			<table border="1"> <thead> <tr> <th rowspan="2">0-10V Dimming (Standard)</th> <th colspan="4">2x2 @ 3500K</th> </tr> <tr> <th>Perforated Square</th> <th>Square in Square</th> <th>Circle in Circle</th> <th>Standard Diffuse</th> </tr> </thead> <tbody> <tr> <td>L4 =</td> <td>2053</td> <td>2042</td> <td>2040</td> <td>2227</td> </tr> <tr> <td>L5 =</td> <td>2947</td> <td>2816</td> <td>2816</td> <td>3185</td> </tr> <tr> <td>L6 =</td> <td>3316</td> <td>3251</td> <td>3251</td> <td>3581</td> </tr> <tr> <td>L7 =</td> <td>3794</td> <td>3852</td> <td>3846</td> <td>4090</td> </tr> </tbody> </table>		0-10V Dimming (Standard)	2x2 @ 3500K				Perforated Square	Square in Square	Circle in Circle	Standard Diffuse	L4 =	2053	2042	2040	2227	L5 =	2947	2816	2816	3185	L6 =	3316	3251	3251	3581	L7 =	3794	3852	3846	4090	Voltage 1 = 120 V 2 = 277 V 3 = 347 V 4 = UNV (120 - 277V)	
0-10V Dimming (Standard)	2x2 @ 3500K																																			
	Perforated Square	Square in Square	Circle in Circle	Standard Diffuse																																
L4 =	2053	2042	2040	2227																																
L5 =	2947	2816	2816	3185																																
L6 =	3316	3251	3251	3581																																
L7 =	3794	3852	3846	4090																																
22 = 2 x 2'	AM = Antimicrobial White Paint			<table border="1"> <thead> <tr> <th rowspan="2">0-10V Dimming (Standard)</th> <th colspan="2">1x4 @ 3500K</th> </tr> <tr> <th>Perforated Strip</th> <th>Standard Diffuse</th> </tr> </thead> <tbody> <tr> <td>L3 =</td> <td>1905</td> <td>2037</td> </tr> <tr> <td>L4 =</td> <td>3727</td> <td>4068</td> </tr> <tr> <td>L5 =</td> <td>5668</td> <td>5814</td> </tr> <tr> <td>L6 =</td> <td>6469</td> <td>6522</td> </tr> </tbody> </table>		0-10V Dimming (Standard)	1x4 @ 3500K		Perforated Strip	Standard Diffuse	L3 =	1905	2037	L4 =	3727	4068	L5 =	5668	5814	L6 =	6469	6522														
0-10V Dimming (Standard)	1x4 @ 3500K																																			
	Perforated Strip	Standard Diffuse																																		
L3 =	1905	2037																																		
L4 =	3727	4068																																		
L5 =	5668	5814																																		
L6 =	6469	6522																																		
14 = 1 x 4'				*All drivers remote mounted.																																

SPECIFICATIONS

Due to the Continuous Improvement Policy at Metalumen, we reserve the right to change our specifications without notice.

Housing: Luminaire body is constructed with 100% aluminum with welded seams and stainless steel hardware.
Optical System: The light emitted from the mid-flux LEDs is channeled inside Metalumen's AccuRay® optical plane where a precisely controlled micro dot matrix pattern directs, shapes and distributes the light throughout the material. A high performance optical reflector and diffuser further guide and extract the light with superb efficiency and beam control.

Standard optics are available. Custom graphics must be ordered through the SCENE PHOTO GRAPHICS Spec Sheet.
CRI: 83+ (3500K) (80 minimum) Consult factory for 90+ CRI.
Lumen Maintenance: At an ambient operating temperature of 25°C the LED lifetime expectancy ≥ 60 000hrs at L70.
Finish: The luminaire housing and associated parts are finished in highly reflective, matte powder coat white paint (91% reflectance) or

antimicrobial white paint. For custom finish, consult factory.
Mounting: Suitable for 9/16" and 15/16" T-Bars. Mounting brackets/clips provided.
Driver: Metalumen offers dimming drivers as a standard on our entire LED product offering at 0-10V. Dimming range is 10%-100%. Power factor is > 90%. Class 2 rating. All drivers are remote mounted.
Options: Consult factory for Lutron LED driver options:

- LHE H-Series Hi-lume 1% EcoSystem
 - LA2 A-Series Hi-lume 1% 2-wire
 - L5E 5-series EcoSystem
- Approvals:** Certified to NRTL safety and IES Recommended testing standards. All components are UL/CSA/QPS recognized or listed, RoHS, LM79, LM80 and LM82 compliant.
Environment: Suitable for dry or damp locations.

WARRANTY

Metalumen will warrant defective luminaires for 5 years from date of purchase. Warranty is valid if luminaire is installed and used according to specification. If defective, Metalumen will send replacement boards or drivers at no cost along with detailed replacement instructions and instructions on how to return defective components to Metalumen.

LUMINAIRE WATTAGE AND OUTPUT SPECIFICATION

2 x 2	Light Level	Perforated Square (PQ)			Square in Square (QQ)			Circle in Circle (CC)			Standard Diffuse (SD)		
		Wattage	Lumens Delivered	Efficacy (LPW)	Wattage	Lumens Delivered	Efficacy (LPW)	Wattage	Lumens Delivered	Efficacy (LPW)	Wattage	Lumens Delivered	Efficacy (LPW)
L4 =		24	2053	86	24	2042	85	24	2040	85	24	2227	93
L5 =		37	2947	80	37	2816	76	37	2816	76	37	3185	86
L6 =		43	3316	77	43	3251	76	43	3251	76	43	3581	83
L7 =		51	3794	74	51	3852	76	51	3846	75	51	4090	80

1 x 4	Light Level	Perforated Strip (PS)			Standard Diffuse (SD)		
		Wattage	Lumens Delivered	Efficacy (LPW)	Wattage	Lumens Delivered	Efficacy (LPW)
L3 =		21	1905	91	21	2037	97
L4 =		48	3727	78	48	4068	85
L5 =		74	5668	77	74	5814	79
L6 =		85	6469	76	85	6522	77

MRI COMPLIANCE INFORMATION

NON-FERROUS COMPONENTS

Due to the strong MRI magnetic force, a projectile effect of over 40mph into the tube can be generated by even small ferrous objects, potentially causing serious injury. Therefore, all MRI fixtures are carefully engineered with non-ferrous materials. Housings made from aluminum extrusion, internal parts are built from aluminum or plastics, all hardware are from SS.

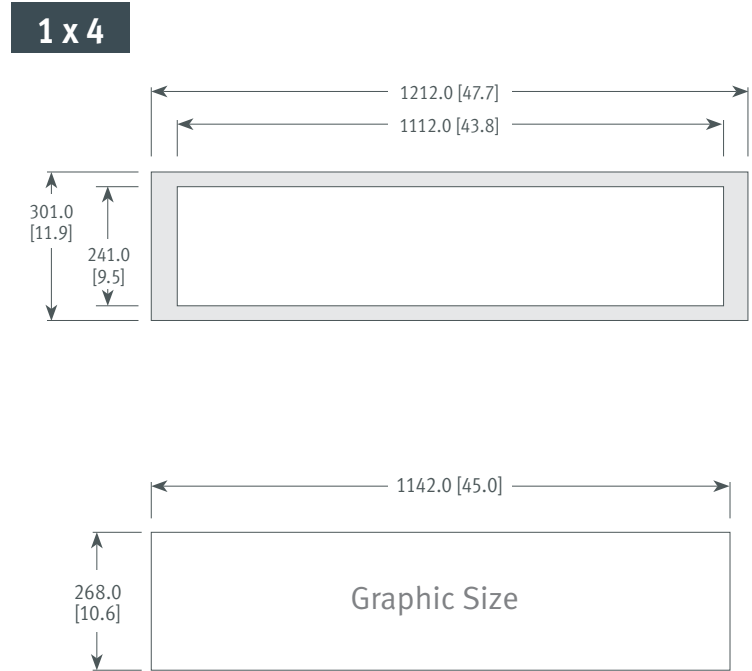
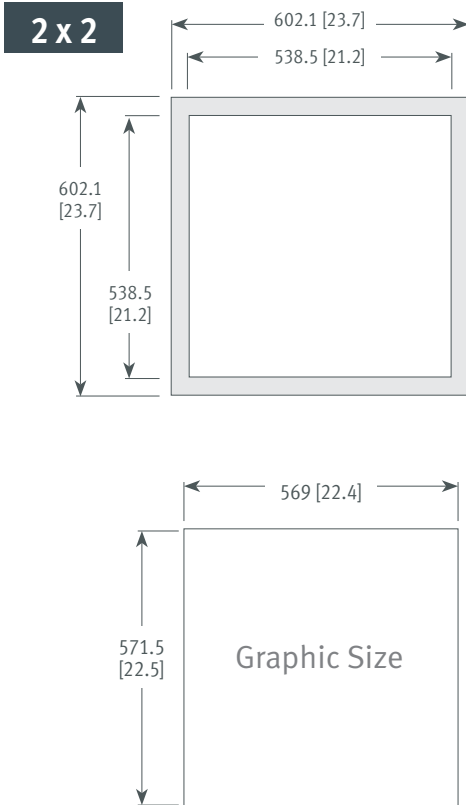
REMOTE MOUNTING

All MRI compliant luminaires are to be remote mounted due to steel construction of the fluorescent ballast or LED driver. In an LED configuration, the electricity going from the driver to the fixture is Direct Current (DC) which further reduces the chance of interference.

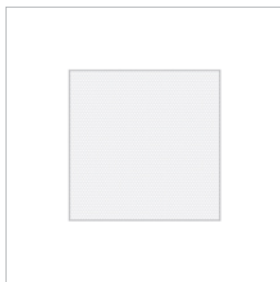
ELECTRONIC NON-INTERFERENCE

Luminaires meet the most stringent requirements for electromagnetic compatibility. MRI machines emit powerful radio frequency pulses and imaging may be compromised by electronics interference within the area. All fixtures should not interfere with, nor should they be susceptible to, these frequencies. An RF filter can be utilized to eliminate interference.

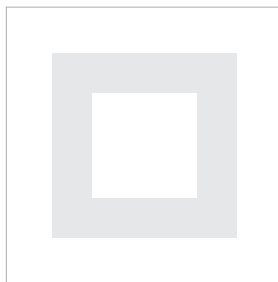
DIMENSIONS



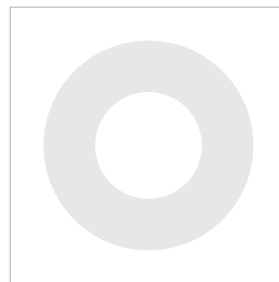
STANDARD OPTICS



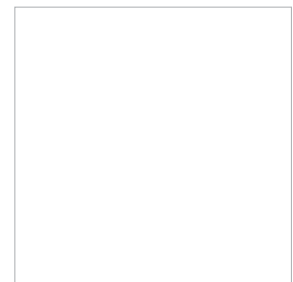
PQ - Perforated Square



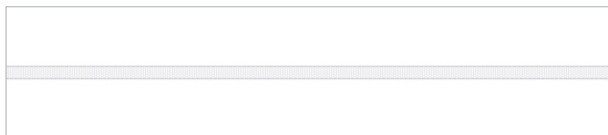
QQ - Square in Square



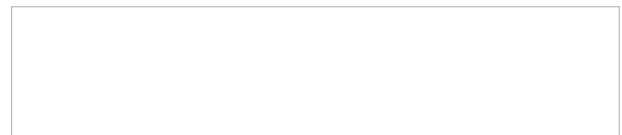
CC - Circle In Circle



SD - Standard Diffuse



PS - Perforated Strip



SD - Standard Diffuse

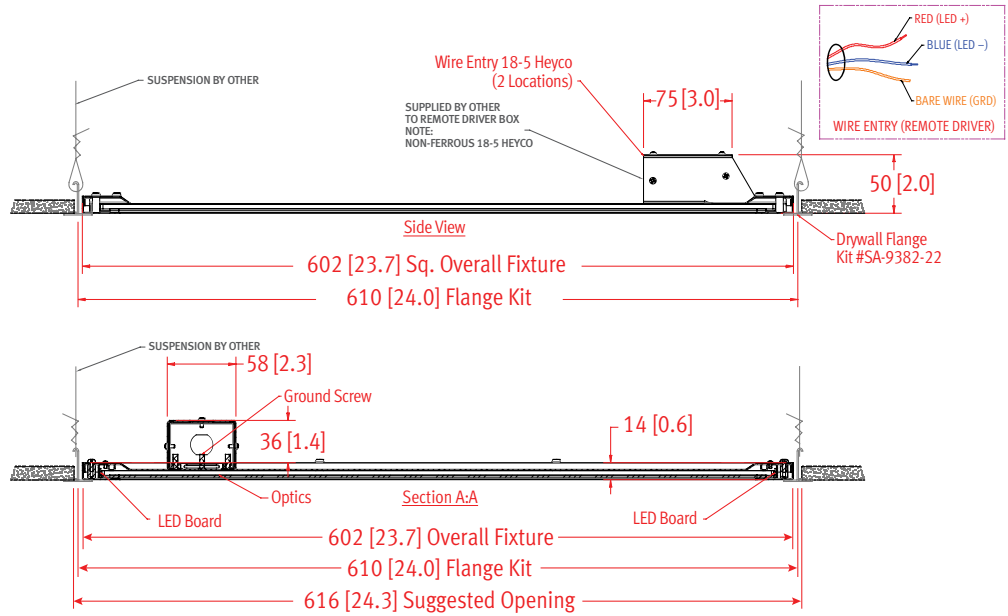
TO CLEAN THE OPTICS: Gently wipe down the optics with a clean, dry cloth to remove any dust and light residues.

For heavier smudges, spray clean cloth with mild soap and water solution and gently wipe optics surface.

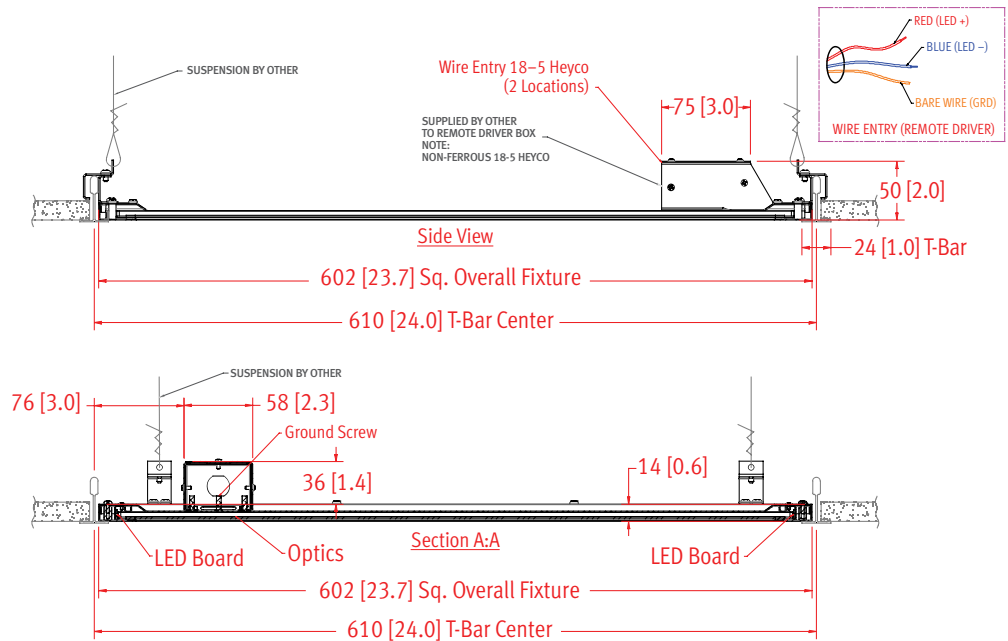
WARNING: Hard wiping and abrasive cloths will scratch the optics. DO NOT USE cleaning products containing alcohol or acetone which will damage the optics.

CROSS SECTIONS

2x2
 Recessed Drywall
 Remote Driver
 SCEM-2L35K-22-SD-AM-L51-D-4-RF-R

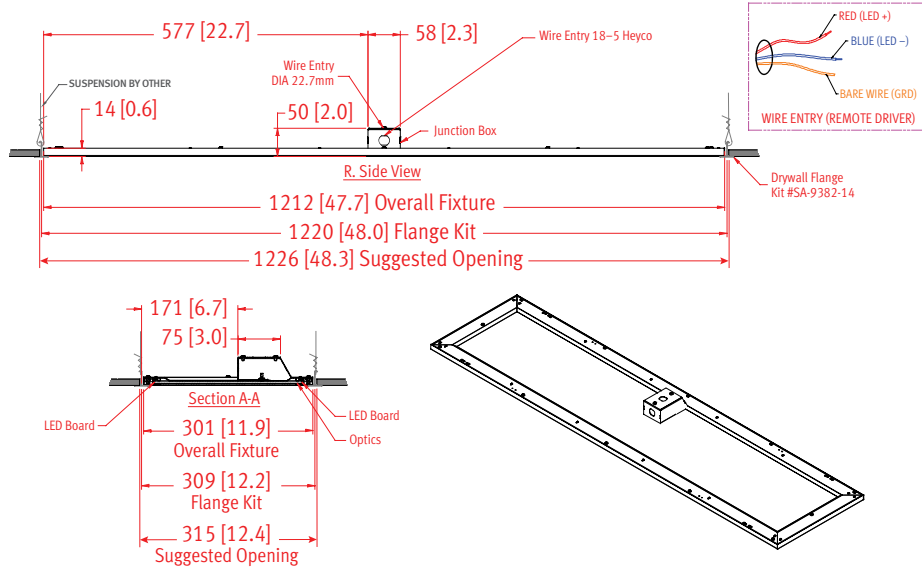


2x2
 Recessed T-Bar
 Remote Driver
 SCEM-2L35K-22-SD-AM-L51-T-4-RF-R



CROSS SECTIONS

1x4
 Recessed Drywall
 Remote Driver
 SCEM-2L35K-14-SD-AM-L51-D-4-RF-R



1x4
 Recessed T-Bar
 Remote Driver
 SCEM-2L35K-14-SD-AM-L51-T-4-RF-R

