

# Scene SCE

LED . Pendant



CAT #:	
PREP BY:	NOTES:
DATE:	
PROJECT:	
TYPE:	



## ORDERING LOGIC

SCE					1			N	R																														
Series/Model	Color Temp	Size/Config.	Optics	Finish	LL/Driver	Circuitry	Mounting	Voltage	Controls	Driver Loc.																													
<b>Color Temp</b>	<b>Size / Configurations</b>	<b>Optics</b>	<b>Finish</b>	<b>Light Level (LL)/Driver</b>			<b>Circuitry</b>	<b>Controls</b>																															
2L30K = 3000K	22 = 2 x 2'	PQ = Perforated Square QQ = Square in Square CC = Circle in Circle SD = Standard Diffuser	W = White C = Custom Finish Specify RAL#:	<b>Fixture Lumens</b> Light level measured at 3500K. Add 3% lumen output for 4000K. Add 6% lumen output for 5000K. Subtract 2% lumen output for 3000K.			1 = 1 Circuit (Standard)	N = None																															
2L35K = 3500K	14 = 1 x 4'										<b>Mounting</b>	<b>Driver Location</b>																											
2L40K = 4000K	Codes for STANDARD RUNS / CONFIGURATIONS	1x4'	AM = Antimicrobial White Paint	<table border="1"> <thead> <tr> <th rowspan="2">0-10V Dimming (Standard)</th> <th colspan="4">2x2 @ 3500K</th> </tr> <tr> <th>Perforated Square</th> <th>Square in Square</th> <th>Circle in Circle</th> <th>Standard Diffuse</th> </tr> </thead> <tbody> <tr> <td>L4 =</td> <td>2053</td> <td>2042</td> <td>2040</td> <td>2227</td> </tr> <tr> <td>L5 =</td> <td>2947</td> <td>2816</td> <td>2816</td> <td>3185</td> </tr> <tr> <td>L6 =</td> <td>3316</td> <td>3251</td> <td>3251</td> <td>3581</td> </tr> <tr> <td>L7 =</td> <td>3794</td> <td>3852</td> <td>3846</td> <td>4090</td> </tr> </tbody> </table>			0-10V Dimming (Standard)	2x2 @ 3500K				Perforated Square	Square in Square	Circle in Circle	Standard Diffuse	L4 =	2053	2042	2040	2227	L5 =	2947	2816	2816	3185	L6 =	3316	3251	3251	3581	L7 =	3794	3852	3846	4090	P1 = Power Over Aircraft Cable 18"	R = Remote		
0-10V Dimming (Standard)								2x2 @ 3500K																															
	Perforated Square	Square in Square	Circle in Circle	Standard Diffuse																																			
L4 =	2053	2042	2040	2227																																			
L5 =	2947	2816	2816	3185																																			
L6 =	3316	3251	3251	3581																																			
L7 =	3794	3852	3846	4090																																			
2L50K = 5000K	22R2 22R3 22R4 22R22 14R2 14R3 14R4	PS = Perforated Strip SD = Standard Diffuser		<table border="1"> <thead> <tr> <th rowspan="2">0-10V Dimming (Standard)</th> <th colspan="2">1x4 @ 3500K</th> </tr> <tr> <th>Perforated Strip</th> <th>Standard Diffuse</th> </tr> </thead> <tbody> <tr> <td>L3 =</td> <td>1905</td> <td>2037</td> </tr> <tr> <td>L4 =</td> <td>3727</td> <td>4068</td> </tr> <tr> <td>L5 =</td> <td>5668</td> <td>5814</td> </tr> <tr> <td>L6 =</td> <td>6469</td> <td>6522</td> </tr> </tbody> </table>			0-10V Dimming (Standard)	1x4 @ 3500K		Perforated Strip	Standard Diffuse	L3 =	1905	2037	L4 =	3727	4068	L5 =	5668	5814	L6 =	6469	6522	P2 = Power Over Aircraft Cable 48"															
0-10V Dimming (Standard)	1x4 @ 3500K																																						
	Perforated Strip	Standard Diffuse																																					
L3 =	1905	2037																																					
L4 =	3727	4068																																					
L5 =	5668	5814																																					
L6 =	6469	6522																																					
	See page 2 for STANDARD RUNS / CONFIGURATIONS CODES descriptions	<b>Custom Graphic</b> Must be ordered through the SCENE PHOTO GRAPHICS Spec Sheet					<b>Voltage</b>																																
							1 = 120 V																																
							2 = 277 V																																
										3 = 347 V (Consult factory)																													
										4 = UNV (120 - 277 V)																													

## SPECIFICATIONS

Due to the Continuous Improvement Policy at Metalumen, we reserve the right to change our specifications without notice.

**Housing:** Luminaire body is constructed with 22 gauge cold rolled steel and 20 gauge aluminum, and welded seams.  
**Optical System:** The light emitted from the mid-flux LEDs is channeled inside Metalumen's AccuRay® optical plane where a precisely controlled micro dot matrix pattern directs, shapes and distributes the light throughout the material. A high performance optical reflector and diffuser further guide and extract the light with superb efficiency and

beam control. Standard optics are available. Custom graphics must be ordered through the SCENE PHOTO GRAPHICS Spec Sheet.  
**CRI:** 83+ (3500K) (80 minimum) Consult factory for 90+ CRI.  
**Lumen Maintenance:** At an ambient operating temperature of 25°C the LED lifetime expectancy ≥ 60 000hrs at L70.  
**Finish:** The luminaire housing and associated parts are finished in highly reflective, matte powder coat white paint (91% reflectance) or

antimicrobial white paint. For custom finish, consult factory.  
**Mounting:** Aircraft cable complete with a Quick-Grip field adjustable suspension system provides for quick and easy onsite alignment.  
**Driver:** Metalumen offers dimming drivers as a standard on our entire LED product offering at 0-10V. Dimming range is 10%-100%. Power factor is > 90%, Class 2 rating.  
**Options:** Consult factory for Lutron LED driver

options:  
 • LHE H-Series Hi-lume 1% EcoSystem  
 • LA2 A-Series Hi-lume 1% 2-wire  
 • LSE 5-Series EcoSystem  
**Approvals:** Certified to NRTL safety and IES Recommended testing standards. All components are UL/CSA/QPS recognized or listed, RoHS, LM79, LM80 and LM82 compliant.  
**Environment:** Suitable for dry or damp locations.

## WARRANTY

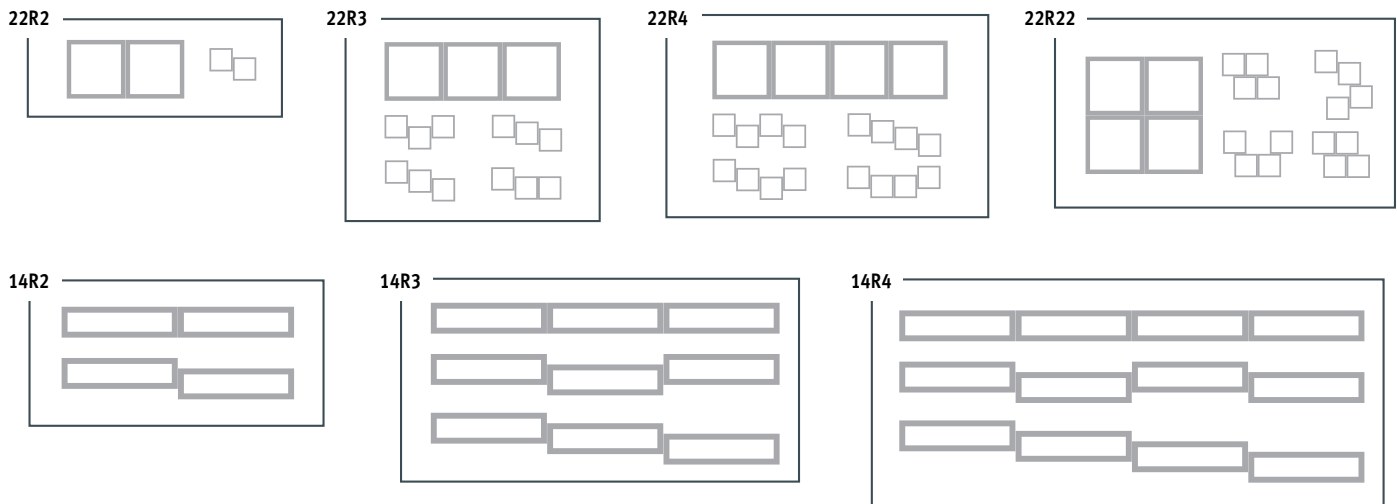
Metalumen will warrant defective luminaires for 5 years from date of purchase. Warranty is valid if luminaire is installed and used according to specification. If defective, Metalumen will send replacement boards or drivers at no cost along with detailed replacement instructions and instructions on how to return defective components to Metalumen.

## LUMINAIRE WATTAGE AND OUTPUT SPECIFICATION

2 x 2	Light Level	Perforated Square (PQ)			Square in Square (QQ)			Circle in Circle (CC)			Standard Diffuse (SD)		
		Wattage	Lumens Delivered	Efficacy (LPW)	Wattage	Lumens Delivered	Efficacy (LPW)	Wattage	Lumens Delivered	Efficacy (LPW)	Wattage	Lumens Delivered	Efficacy (LPW)
L4 =		24	2053	86	24	2042	85	24	2040	85	24	2227	93
L5 =		37	2947	80	37	2816	76	37	2816	76	37	3185	86
L6 =		43	3316	77	43	3251	76	43	3251	76	43	3581	83
L7 =		51	3794	74	51	3852	76	51	3846	75	51	4090	80

1 x 4	Light Level	Perforated Strip (PS)			Standard Diffuse (SD)		
		Wattage	Lumens Delivered	Efficacy (LPW)	Wattage	Lumens Delivered	Efficacy (LPW)
L3 =		21	1905	91	21	2037	97
L4 =		48	3727	78	48	4068	85
L5 =		74	5668	77	74	5814	79
L6 =		85	6469	76	85	6522	77

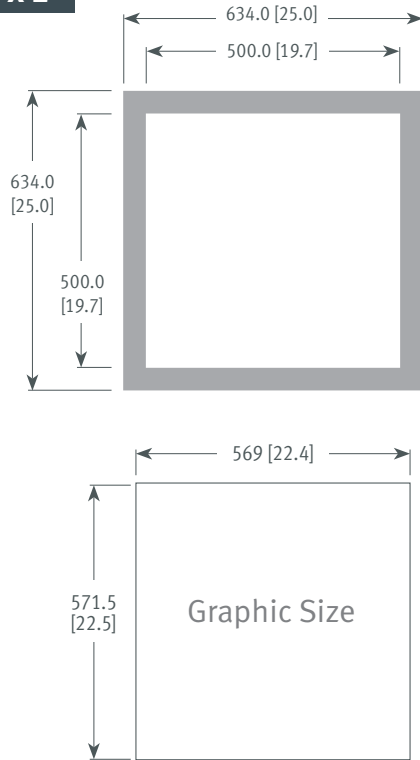
## STANDARD RUNS / CONFIGURATIONS CODES



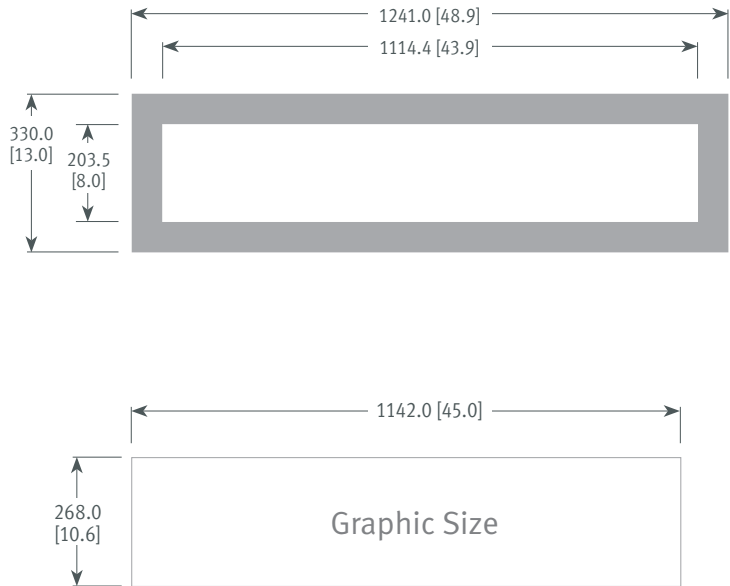
Consult factory for custom configurations.

## DIMENSIONS

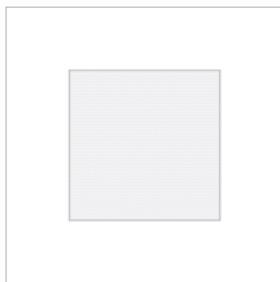
**2 x 2**



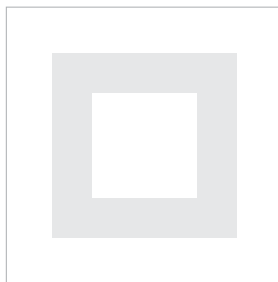
**1 x 4**



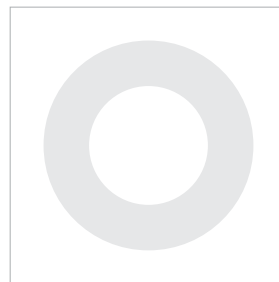
## STANDARD OPTICS



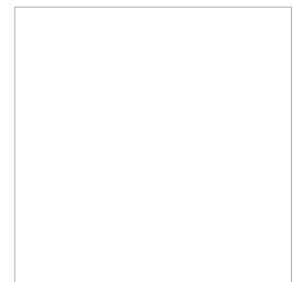
**PQ** - Perforated Square



**QQ** - Square in Square



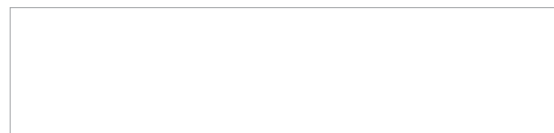
**CC** - Circle In Circle



**SD** - Standard Diffuse



**PS** - Perforated Strip



**SD** - Standard Diffuse

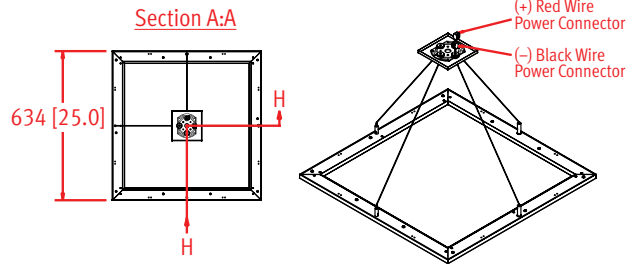
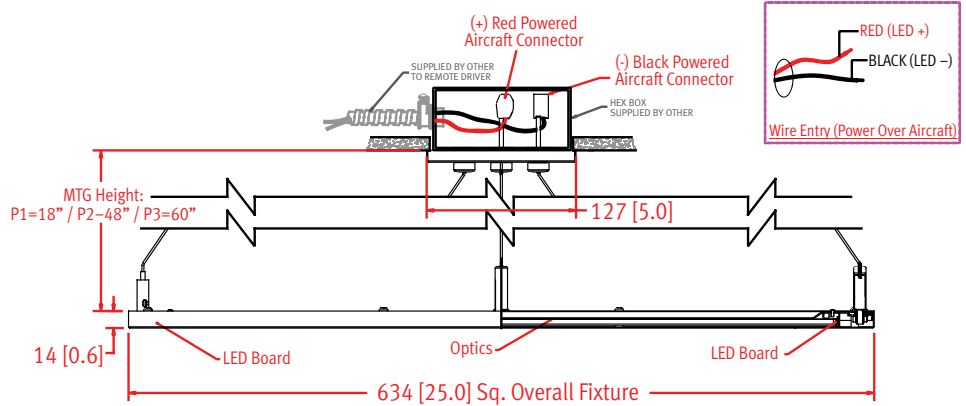
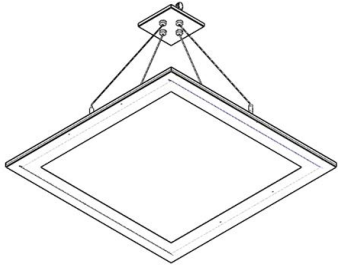
**TO CLEAN THE OPTICS:** Gently wipe down the optics with a clean, dry cloth to remove any dust and light residues.

For heavier smudges, spray clean cloth with mild soap and water solution and gently wipe optics surface.

**WARNING:** Hard wiping and abrasive cloths will scratch the optics. DO NOT USE cleaning products containing alcohol or acetone which will damage the optics.

CROSS SECTIONS

2X2  
 Power Over Aircraft Cable  
 Remote Driver  
 SCE-2L35K-22-SD-W-L51-P1-4-N-R



1x4  
 Power Over Aircraft Cable  
 Remote Driver  
 SCE-2L35K-14-SD-W-L51-P1-4-N-R

