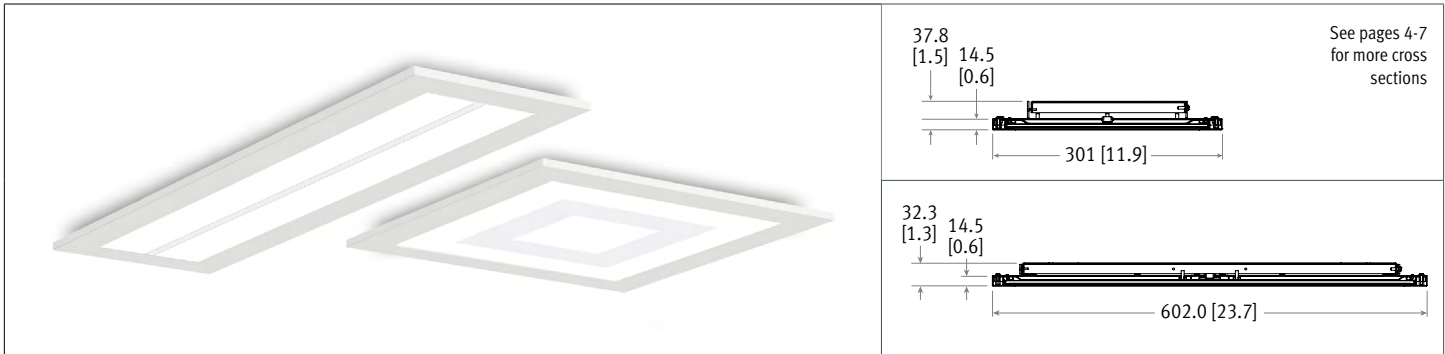


Scene SCE

LED . Surface



CAT #:	
PREP BY:	NOTES:
DATE:	
PROJECT:	
TYPE:	



See pages 4-7 for more cross sections

ORDERING LOGIC

SCE					1			N																															
Series/Model	Color Temp	Size	Optics	Finish	LL/Driver	Circuitry	Mounting	Voltage	Controls																														
Color Temp	Optics		Finish		Light Level (LL)/Driver **		Circuitry		Voltage																														
2L30K = 3000K	2x2'	PQ = Perforated Square	W = White		Fixture Lumens Light level measured at 3500K. Add 3% lumen output for 4000K. Add 6% lumen output for 5000K. Subtract 2% lumen output for 3000K.		1 = 1 Circuit (Standard)		1 = 120 V																														
2L35K = 3500K		QQ = Square in Square	C = Custom Finish Specify RAL#:				Mounting		2 = 277 V																														
2L40K = 4000K		CC = Circle in Circle	AM = Antimicrobial White Paint				S = Surface (Remote Driver)		3 = 347 V																														
2L50K = 5000K		SD = Standard Diffuser					SI = Surface Integral (Integral Driver)		4 = UNV (120-277V)																														
Size	1x4'	PS = Perforated Strip			<table border="1"> <thead> <tr> <th rowspan="2">0-10V Dimming (Standard)</th> <th colspan="4">2x2 @ 3500K</th> </tr> <tr> <th>Perforated Square</th> <th>Square in Square</th> <th>Circle in Circle</th> <th>Standard Diffuse</th> </tr> </thead> <tbody> <tr> <td>L4 =</td> <td>2053</td> <td>2042</td> <td>2040</td> <td>2227</td> </tr> <tr> <td>L5 =</td> <td>2947</td> <td>2816</td> <td>2816</td> <td>3185</td> </tr> <tr> <td>L6 =</td> <td>3316</td> <td>3251</td> <td>3251</td> <td>3581</td> </tr> <tr> <td>L7 =</td> <td>3794</td> <td>3852</td> <td>3846</td> <td>4090</td> </tr> </tbody> </table>		0-10V Dimming (Standard)	2x2 @ 3500K				Perforated Square	Square in Square	Circle in Circle	Standard Diffuse	L4 =	2053	2042	2040	2227	L5 =	2947	2816	2816	3185	L6 =	3316	3251	3251	3581	L7 =	3794	3852	3846	4090	SC = Concrete or metal surface (Integral Driver)		Controls	
0-10V Dimming (Standard)		2x2 @ 3500K																																					
	Perforated Square	Square in Square	Circle in Circle	Standard Diffuse																																			
L4 =	2053	2042	2040	2227																																			
L5 =	2947	2816	2816	3185																																			
L6 =	3316	3251	3251	3581																																			
L7 =	3794	3852	3846	4090																																			
22 = 2 x 2'	SD = Standard Diffuser			<table border="1"> <thead> <tr> <th rowspan="2">0-10V Dimming (Standard)</th> <th colspan="2">1x4 @ 3500K</th> </tr> <tr> <th>Perforated Strip</th> <th>Standard Diffuse</th> </tr> </thead> <tbody> <tr> <td>L3 =</td> <td>1905</td> <td>2037</td> </tr> <tr> <td>L4 =</td> <td>3727</td> <td>4068</td> </tr> <tr> <td>L5 =</td> <td>5668</td> <td>5814</td> </tr> <tr> <td>L6 =</td> <td>6469</td> <td>6522</td> </tr> </tbody> </table>		0-10V Dimming (Standard)	1x4 @ 3500K		Perforated Strip	Standard Diffuse	L3 =	1905	2037	L4 =	3727	4068	L5 =	5668	5814	L6 =	6469	6522	N = None																
0-10V Dimming (Standard)	1x4 @ 3500K																																						
	Perforated Strip	Standard Diffuse																																					
L3 =	1905	2037																																					
L4 =	3727	4068																																					
L5 =	5668	5814																																					
L6 =	6469	6522																																					
14 = 1 x 4'	Custom Graphic Must be ordered through the SCENE PHOTO GRAPHICS Spec Sheet						Available for vertical or horizontal mounting																																

SPECIFICATIONS

Due to the Continuous Improvement Policy at Metalumen, we reserve the right to change our specifications without notice.

Housing: Luminaire body is constructed with 22 gauge cold rolled steel and 20 gauge aluminum, and welded seams.

Optical System: The light emitted from the mid-flux LEDs is channeled inside Metalumen's AccuRay® optical plane where a precisely controlled micro dot matrix pattern directs, shapes and distributes the light throughout the material. A high performance optical reflector and diffuser further guide and extract the light with superb efficiency and

beam control. Standard optics are available. Custom graphics must be ordered through the SCENE PHOTO GRAPHICS Spec Sheet.

CRI: 83+ (3500K) (80 minimum) Consult factory for 90+ CRI.

Lumen Maintenance: At an ambient operating temperature of 25°C the LED lifetime expectancy > 60 000hrs at L70.

Finish: The luminaire housing and associated parts are finished in highly reflective, matte powder coat white paint (91% reflectance) or

antimicrobial white paint. For custom finish, consult factory.

Mounting: Surface mounting brackets provided.

Driver: Metalumen offers dimming drivers as a standard on our entire LED product offering at 0-10V. Dimming range is 1%-100%. Power factor is > 90%. Class 2

rating.
Options: Consult factory for Lutron LED driver options:

- LHE H-Series Hi-lume 1% EcoSystem
- LA2 A-Series Hi-lume 1% 2-wire
- L5E 5-series EcoSystem

Approvals: Certified to NRTL safety and IES Recommended testing standards. All components are UL/CSA/QPS recognized or listed, RoHS, LM79, LM80 and LM82 compliant.

Environment: Suitable for dry or damp locations.

WARRANTY

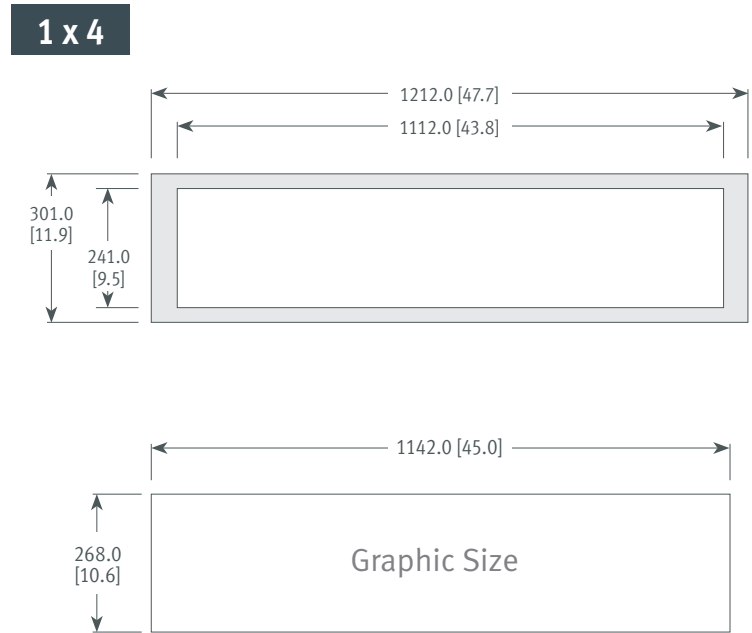
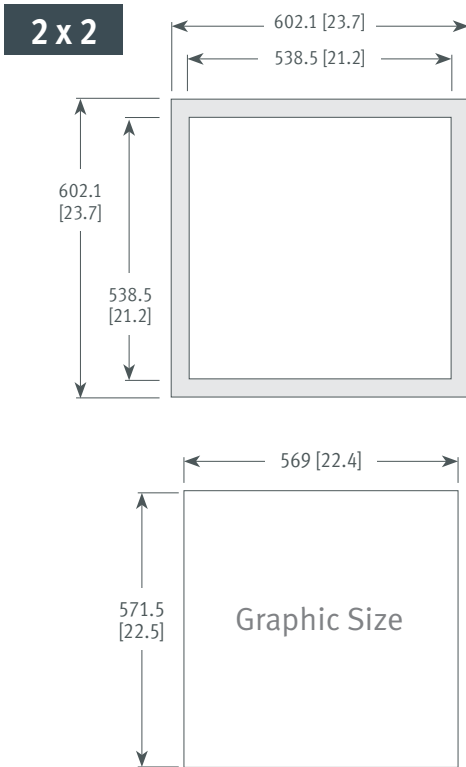
Metalumen will warrant defective luminaires for 5 years from date of purchase. Warranty is valid if luminaire is installed and used according to specification. If defective, Metalumen will send replacement boards or drivers at no cost along with detailed replacement instructions and instructions on how to return defective components to Metalumen.

LUMINAIRE WATTAGE AND OUTPUT SPECIFICATION

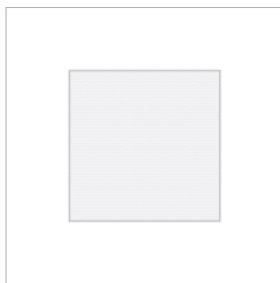
2 x 2	Light Level	Perforated Square (PQ)			Square in Square (QQ)			Circle in Circle (CC)			Standard Diffuse (SD)		
		Wattage	Lumens Delivered	Efficacy (lm/W)	Wattage	Lumens Delivered	Efficacy (lm/W)	Wattage	Lumens Delivered	Efficacy (lm/W)	Wattage	Lumens Delivered	Efficacy (lm/W)
L4 =		24	2053	86	24	2042	85	24	2040	85	24	2227	93
L5 =		37	2947	80	37	2816	76	37	2816	76	37	3185	86
L6 =		43	3316	77	43	3251	76	43	3251	76	43	3581	83
L7 =		51	3794	74	51	3852	76	51	3846	75	51	4090	80

1 x 4	Light Level	Perforated Strip (PS)			Standard Diffuse (SD)		
		Wattage	Lumens Delivered	Efficacy (lm/W)	Wattage	Lumens Delivered	Efficacy (lm/W)
L3 =		21	1905	91	21	2037	97
L4 =		48	3727	78	48	4068	85
L5 =		74	5668	77	74	5814	79
L6 =		85	6469	76	85	6522	77

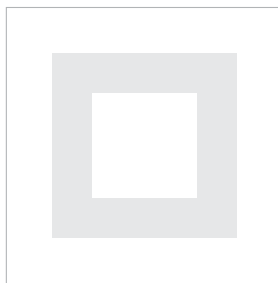
DIMENSIONS



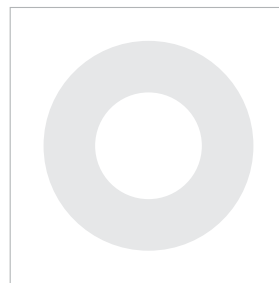
STANDARD OPTICS



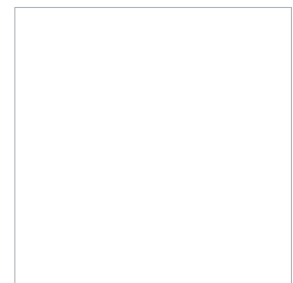
PQ - Perforated Square



QQ - Square in Square



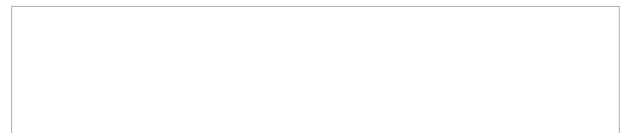
CC - Circle In Circle



SD - Standard Diffuse



PS - Perforated Strip



SD - Standard Diffuse

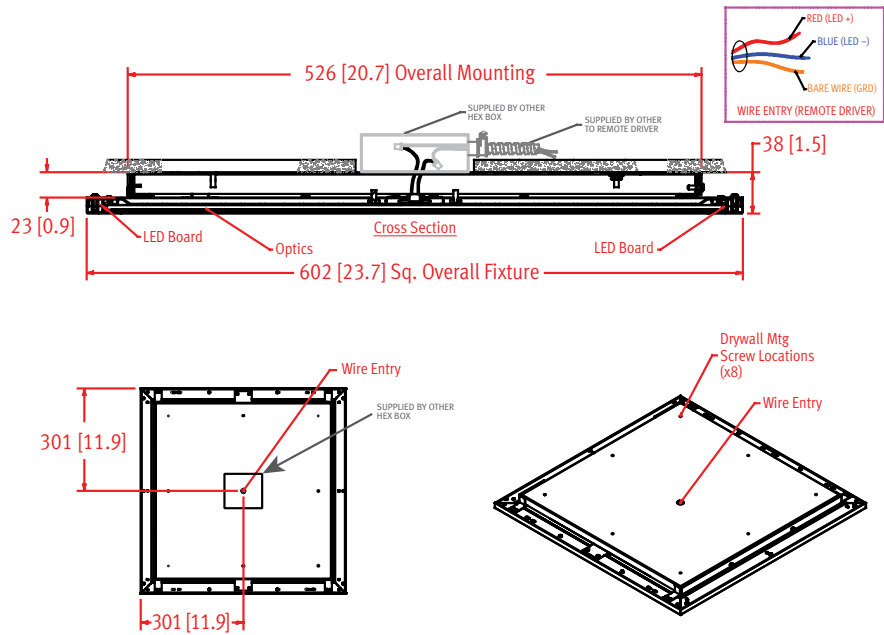
TO CLEAN THE OPTICS: Gently wipe down the optics with a clean, dry cloth to remove any dust and light residues.

For heavier smudges, spray clean cloth with mild soap and water solution and gently wipe optics surface.

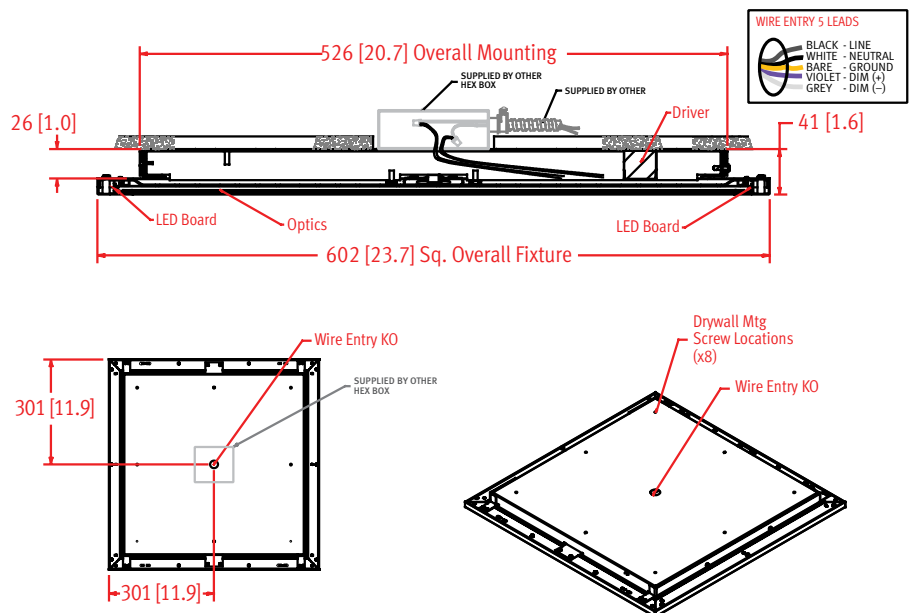
WARNING: Hard wiping and abrasive cloths will scratch the optics. DO NOT USE cleaning products containing alcohol or acetone which will damage the optics.

CROSS SECTIONS

2X2
 Surface Drywall
 Remote Driver
 SCE-2L35K-22-SD-W-L51-S-4-N

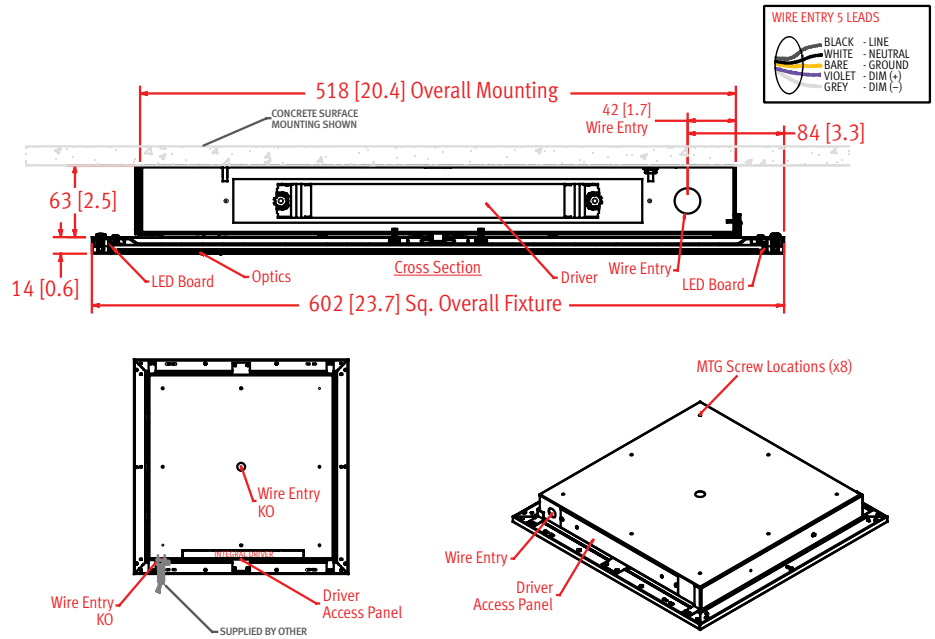


2X2
 Surface Drywall
 Integral Driver
 SCE-2L35K-22-SD-W-L51-SI-4-N

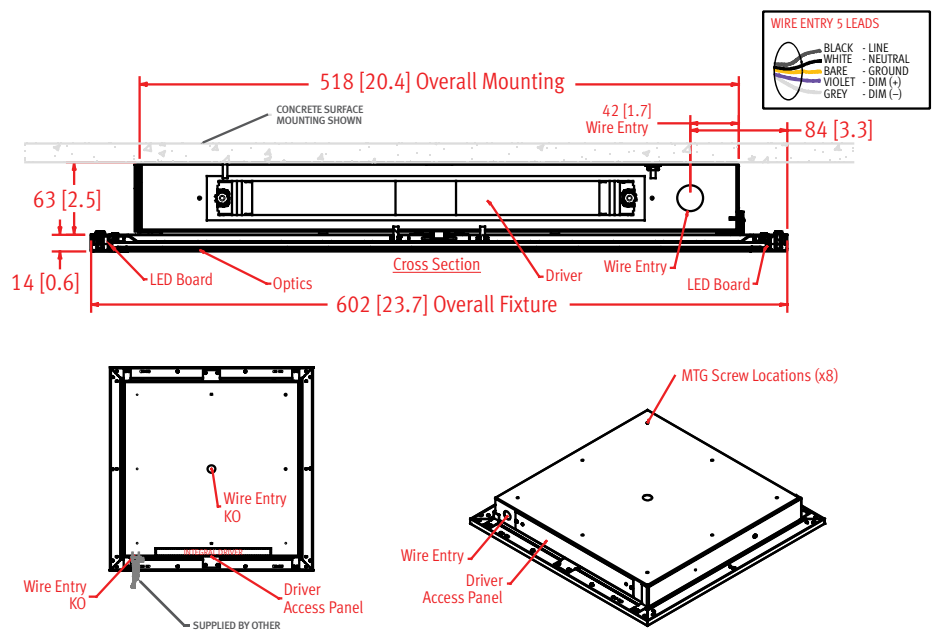


CROSS SECTIONS

2X2
 Surface Steel / Concrete
 120-277V
 Integral Driver
 SCE-2L35K-22-SD-W-L51-SC-4-N

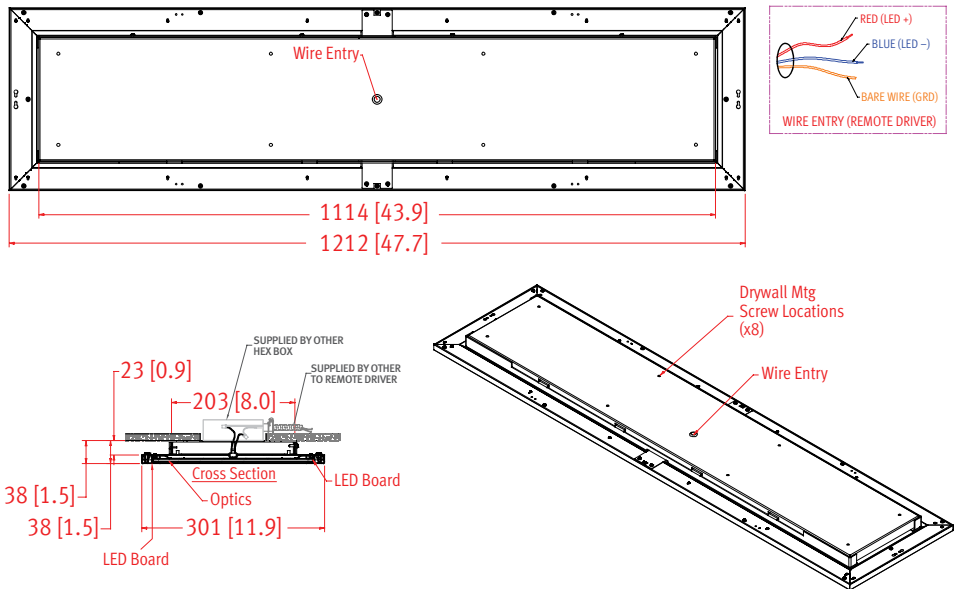


2X2
 Surface Steel / Concrete
 347V
 Integral Driver
 SCE-2L35K-22-SD-W-L51-SC-3-N

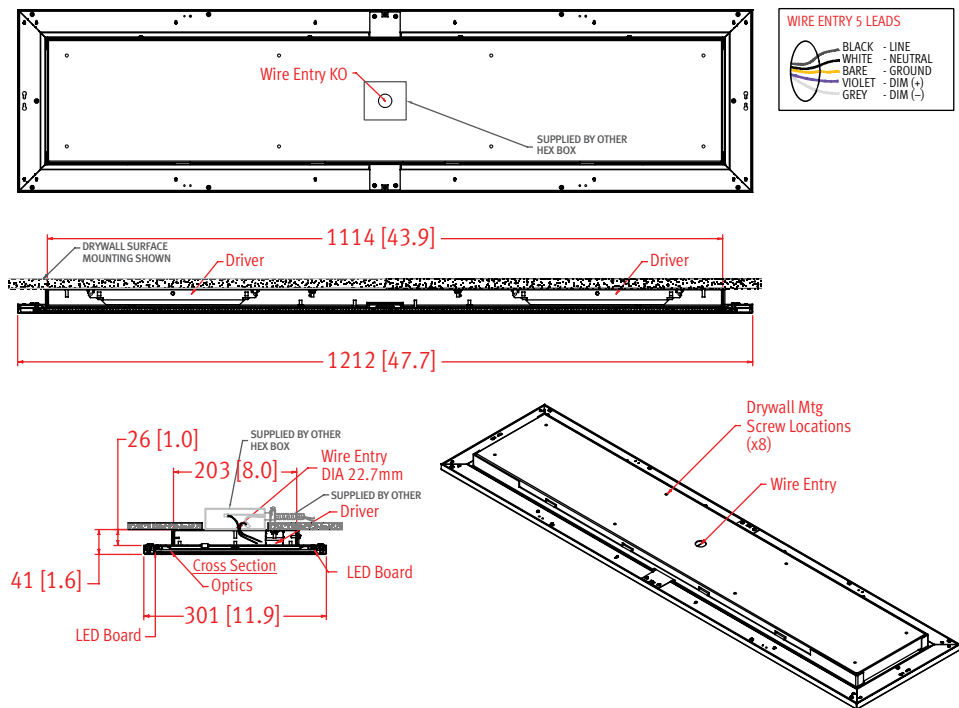


CROSS SECTIONS

1X4
 Surface Drywall
 Remote Driver
 SCE-2L35K-14-SD-W-L51-S-4-N

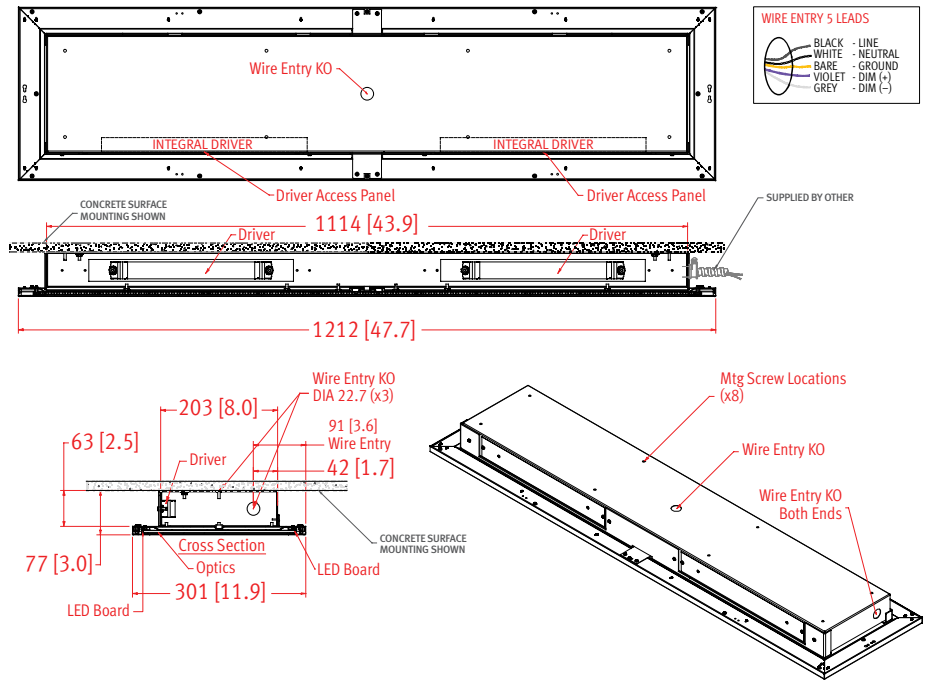


1X4
 Surface Drywall
 Integral Driver
 SCE-2L35K-14-SD-W-L51-SI-4-N

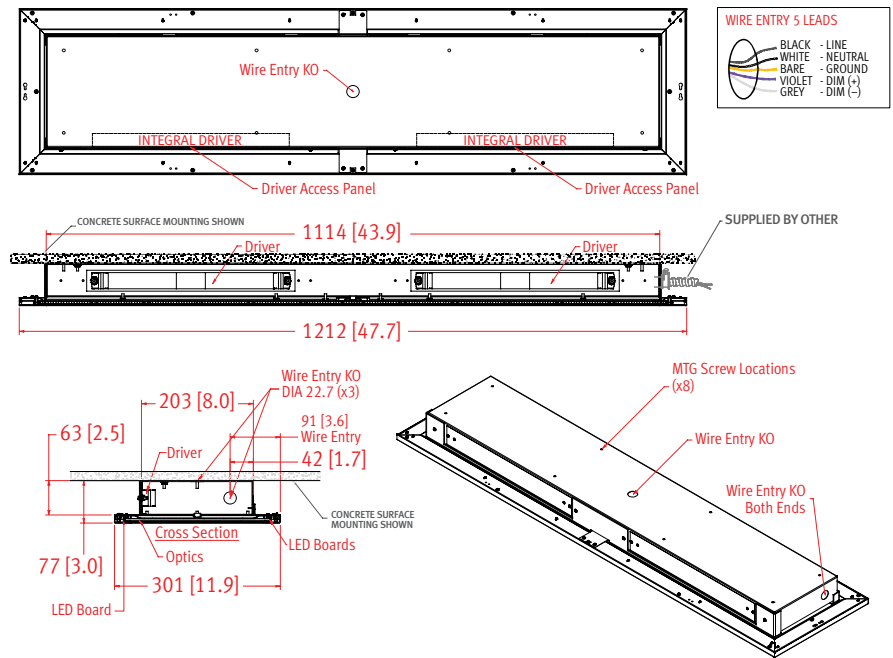


CROSS SECTIONS

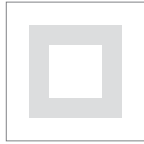
1X4
 Surface Steel / Concrete
 120-277V
 Integral Driver
 SCE-2L35K-14-SD-W-L51-SC-4-N



1X4
 Surface Steel / Concrete
 347V
 Integral Driver
 SCE-2L35K-14-SD-W-L51-SC-3-N



PHOTOMETRIC DATA - 3500K



Square in Square

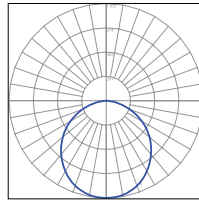
File Name: SCE-2L35K-22-QQ-L6
Luminaire Lumens: 3251
Total Watts: 43
Efficacy: 76 lm/W

COEFFICIENTS OF UTILIZATION

Zonal Cavity Method | Effective Floor Cavity Reflectance = .20

RC RW	80				70				50			
	70	50	30	10	70	50	30	10	50	30	10	
RCR												
0	119	119	119	119	116	116	116	116	111	111	111	
1	109	104	100	96	106	102	98	95	98	95	92	
2	99	91	84	78	96	89	83	77	85	80	76	
3	90	80	72	65	88	78	71	65	75	69	63	
4	83	71	62	55	80	69	61	55	67	60	54	
5	76	63	54	48	74	62	54	47	60	52	47	
6	70	57	48	41	68	56	47	41	54	47	41	
7	65	52	43	37	63	51	42	36	49	42	36	
8	61	47	39	33	59	46	38	33	45	38	32	
9	57	43	35	29	55	43	35	29	41	34	29	
10	53	40	32	27	52	39	32	27	38	31	26	

PHOTOMETRIC CURVE



LUMINANCE DATA (CD/M²)

Vertical Angle	Horizontal Angle		
	0	45	90
45	3736	3736	3736
55	3571	3571	3571
65	3294	3294	3294
75	2750	2750	2750
85	1553	1553	1553

CANDELA DISTRIBUTION

Vertical Angle	Horizontal Angle				
	0	22.5	45	67.5	90
0	1165	1165	1165	1165	1165
5	1161	1161	1161	1161	1161
10	1146	1146	1146	1146	1146
15	1120	1120	1120	1120	1120
20	1084	1084	1084	1084	1084
25	1036	1036	1036	1036	1036
30	977	977	977	977	977
35	910	910	910	910	910
40	838	838	838	838	838
45	761	761	761	761	761
50	679	679	679	679	679
55	590	590	590	590	590
60	499	499	499	499	499
65	401	401	401	401	401
70	302	302	302	302	302
75	205	205	205	205	205
80	114	114	114	114	114
85	39	39	39	39	39
90	0	0	0	0	0

ZONAL LUMEN SUMMARY

Zone	Lumens	%Fixt
0-20	426	13.1
0-30	904	27.8
0-40	1473	45.3
0-60	2588	79.6
0-80	3202	98.5
0-90	3251	100
10-90	3141	96.6
20-40	1047	32.2
20-50	1634	50.3
40-70	1511	46.5
60-80	614	18.9
70-80	217	6.7
80-90	49	1.5
90-110	0	0
90-120	0	0
90-130	0	0
90-150	0	0
90-180	0	0
110-180	0	0
0-180	3251	100



Circle in Circle

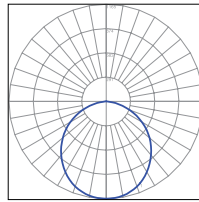
File Name: SCE-2L35K-22-CC-L6
Luminaire Lumens: 3251
Total Watts: 43
Efficacy: 76 lm/W

COEFFICIENTS OF UTILIZATION

Zonal Cavity Method | Effective Floor Cavity Reflectance = .20

RC RW	80				70				50			
	70	50	30	10	70	50	30	10	50	30	10	
RCR												
0	119	119	119	119	116	116	116	116	111	111	111	
1	109	104	100	96	106	102	98	95	98	95	92	
2	99	91	84	78	96	89	83	77	85	80	76	
3	90	80	72	65	88	78	71	65	75	69	63	
4	83	71	62	55	80	69	61	55	67	60	54	
5	76	63	54	48	74	62	54	47	60	52	47	
6	70	57	48	41	68	56	47	41	54	47	41	
7	65	52	43	37	63	51	42	36	49	42	36	
8	61	47	39	33	59	46	38	33	45	38	32	
9	57	43	35	29	55	43	35	29	41	34	29	
10	53	40	32	27	52	39	32	27	38	31	26	

PHOTOMETRIC CURVE



LUMINANCE DATA (CD/M²)

Vertical Angle	Horizontal Angle		
	0	45	90
45	3736	3736	3736
55	3571	3571	3571
65	3294	3294	3294
75	2750	2750	2750
85	1553	1553	1553

CANDELA DISTRIBUTION

Vertical Angle	Horizontal Angle				
	0	22.5	45	67.5	90
0	1165	1165	1165	1165	1165
5	1161	1161	1161	1161	1161
10	1146	1146	1146	1146	1146
15	1120	1120	1120	1120	1120
20	1084	1084	1084	1084	1084
25	1036	1036	1036	1036	1036
30	977	977	977	977	977
35	910	910	910	910	910
40	838	838	838	838	838
45	761	761	761	761	761
50	679	679	679	679	679
55	590	590	590	590	590
60	499	499	499	499	499
65	401	401	401	401	401
70	302	302	302	302	302
75	205	205	205	205	205
80	114	114	114	114	114
85	39	39	39	39	39
90	0	0	0	0	0

ZONAL LUMEN SUMMARY

Zone	Lumens	%Fixt
0-20	426	13.1
0-30	904	27.8
0-40	1473	45.3
0-60	2588	79.6
0-80	3202	98.5
0-90	3251	100
10-90	3141	96.6
20-40	1047	32.2
20-50	1634	50.3
40-70	1511	46.5
60-80	614	18.9
70-80	217	6.7
80-90	49	1.5
90-110	0	0
90-120	0	0
90-130	0	0
90-150	0	0
90-180	0	0
110-180	0	0
0-180	3251	100



Perforated Square

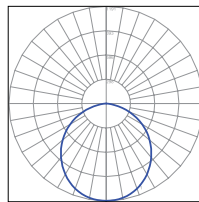
File Name: SCE-2L35K-22-PQ-L6
Luminaire Lumens: 3316
Total Watts: 43
Efficacy: 77 lm/W

COEFFICIENTS OF UTILIZATION

Zonal Cavity Method | Effective Floor Cavity Reflectance = .20

RC RW	80				70				50			
	70	50	30	10	70	50	30	10	50	30	10	
RCR												
0	119	119	119	119	116	116	116	116	111	111	111	
1	109	104	100	96	106	102	98	95	98	95	92	
2	99	91	84	79	97	89	83	78	86	80	76	
3	90	80	72	65	88	78	71	65	75	69	64	
4	83	71	62	55	80	70	61	55	67	60	54	
5	76	63	54	48	74	62	54	47	60	53	47	
6	70	57	48	42	68	56	48	41	54	47	41	
7	65	52	43	37	63	51	43	37	49	42	36	
8	61	47	39	33	59	46	38	33	45	38	32	
9	57	43	35	29	55	43	35	29	42	34	29	
10	53	40	32	27	52	39	32	27	38	31	27	

PHOTOMETRIC CURVE



LUMINANCE DATA (CD/M²)

Vertical Angle	Horizontal Angle		
	0	45	90
45	3834	3834	3834
55	3674	3674	3674
65	3376	3376	3376
75	2736	2736	2736
85	1195	1195	1195

CANDELA DISTRIBUTION

Vertical Angle	Horizontal Angle				
	0	22.5	45	67.5	90
0	1191	1191	1191	1191	1191
5	1186	1186	1186	1186	1186
10	1172	1172	1172	1172	1172
15	1146	1146	1146	1146	1146
20	1108	1108	1108	1108	1108
25	1060	1060	1060	1060	1060
30	1001	1001	1001	1001	1001
35	933	933	933	933	933
40	859	859	859	859	859
45	781	781	781	781	781
50	697	697	697	697	697
55	607	607	607	607	607
60	512	512	512	512	512
65	411	411	411	411	411
70	307	307	307	307	307
75	204	204	204	204	204
80	106	106	106	106	106
85	30	30	30	30	30
90	0	0	0	0	0

ZONAL LUMEN SUMMARY

Zone	Lumens	%Fixt
0-20	436	13.2
0-30	924	27.9
0-40	1508	45.5
0-60	2652	80
0-80	3274	98.7
0-90	3316	100
10-90	3203	96.6
20-40	1072	32.3
20-50	1674	50.5
40-70	1550	46.8
60-80	622	18.8
70-80	216	6.5
80-90	42	1.3
90-110	0	0
90-120	0	0
90-130	0	0
90-150	0	0
90-180	0	0
110-180	0	0
0-180	3316	100

PHOTOMETRIC DATA - 3500K



Standard Diffuse

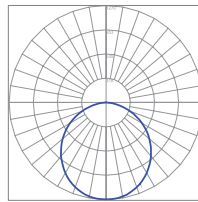
File Name: SCE-2L35K-22-SD-L6
Luminaire Lumens: 3581
Total Watts: 43
Efficacy: 83 lm/W

COEFFICIENTS OF UTILIZATION

Zonal Cavity Method | Effective Floor Cavity Reflectance = .20

RC RW	80				70				50					
	70	50	30	10	70	50	30	10	50	30	10	50	30	10
RCR														
0	119	119	119	119	116	116	116	116	111	111	111	111	111	111
1	109	104	100	96	106	102	98	94	97	94	91	88	85	82
2	99	91	84	78	96	89	82	77	85	80	75	71	67	63
3	90	80	71	65	88	78	70	64	75	68	63	58	54	50
4	82	70	62	55	80	69	61	54	67	59	54	49	45	41
5	76	63	54	47	74	62	53	47	60	52	46	41	37	32
6	70	57	48	41	68	56	47	41	54	46	41	36	32	27
7	65	51	43	36	63	51	42	36	49	41	36	31	27	22
8	60	47	38	32	59	46	38	32	45	37	32	27	22	17
9	56	43	35	29	55	42	34	29	41	34	29	24	19	14
10	53	40	32	26	52	39	32	26	38	31	26	21	16	11

PHOTOMETRIC CURVE



CANDELA DISTRIBUTION

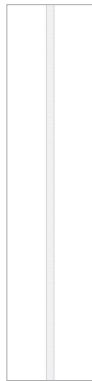
Vertical Angle	Horizontal Angle				
	0	22.5	45	67.5	90
0	1270	1270	1270	1270	1270
5	1265	1264	1264	1265	1264
10	1250	1250	1249	1250	1250
15	1221	1221	1221	1222	1222
20	1180	1180	1181	1182	1182
25	1128	1128	1130	1131	1131
30	1066	1066	1068	1070	1070
35	994	993	996	999	999
40	916	917	919	922	922
45	832	832	835	838	838
50	742	743	746	748	749
55	647	647	650	652	653
60	547	547	550	552	553
65	442	442	444	448	448
70	336	335	337	341	341
75	230	230	233	235	235
80	133	132	134	137	136
85	50	49	50	51	51
90	0	0	0	0	0

ZONAL LUMEN SUMMARY

Zone	Lumens	%Fixt
0-20	465	13
0-30	985	27.5
0-40	1609	44.9
0-60	2833	79.1
0-80	3520	98.3
0-90	3581	100
10-90	3460	96.6
20-40	1144	31.9
20-50	1788	49.9
40-70	1664	46.5
60-80	686	19.2
70-80	247	6.9
80-90	61	1.7
90-110	0	0
90-120	0	0
90-130	0	0
90-150	0	0
90-180	0	0
110-180	0	0
0-180	3581	100

LUMINANCE DATA (CD/M²)

Vertical Angle	Horizontal Angle		
	0	45	90
45	4039	4053	4068
55	3872	3890	3908
65	3590	3606	3639
75	3050	3090	3117
85	1969	1969	2009



Perforated Strip

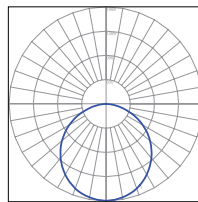
File Name: SCE-2L35K-14-PS-L5
Luminaire Lumens: 5668
Total Watts: 74
Efficacy: 77 lm/W

COEFFICIENTS OF UTILIZATION

Zonal Cavity Method | Effective Floor Cavity Reflectance = .20

RC RW	80				70				50					
	70	50	30	10	70	50	30	10	50	30	10	50	30	10
RCR														
0	119	119	119	119	116	116	116	116	111	111	111	111	111	111
1	109	104	100	96	106	102	98	94	97	94	91	88	85	82
2	99	91	84	78	96	89	82	77	85	80	75	71	67	63
3	90	79	71	65	88	78	70	64	75	68	63	58	54	50
4	82	70	62	55	80	69	61	54	67	59	54	49	45	41
5	76	63	54	47	74	62	53	47	60	52	46	41	37	32
6	70	57	48	41	68	56	47	41	54	46	41	36	32	27
7	65	51	42	36	63	50	42	36	49	41	36	31	27	22
8	60	47	38	32	59	46	38	32	45	37	32	27	22	17
9	56	43	35	29	55	42	34	29	41	34	29	24	19	14
10	53	40	32	26	52	39	31	26	38	31	26	21	16	11

PHOTOMETRIC CURVE



CANDELA DISTRIBUTION

Vertical Angle	Horizontal Angle				
	0	22.5	45	67.5	90
0	1998	1998	1998	1998	1998
5	1985	1985	1985	1985	1985
10	1957	1957	1957	1957	1957
15	1915	1915	1915	1915	1915
20	1856	1856	1856	1856	1856
25	1776	1776	1776	1776	1776
30	1684	1684	1684	1684	1684
35	1575	1575	1575	1575	1575
40	1456	1456	1456	1456	1456
45	1327	1327	1327	1327	1327
50	1187	1187	1187	1187	1187
55	1037	1037	1037	1037	1037
60	877	877	877	877	877
65	711	711	711	711	711
70	538	538	538	538	538
75	368	368	368	368	368
80	210	210	210	210	210
85	75	75	75	75	75
90	0	0	0	0	0

ZONAL LUMEN SUMMARY

Zone	Lumens	%Fixt
0-20	729	12.9
0-30	1548	27.3
0-40	2533	44.7
0-60	4482	79.1
0-80	5575	98.4
0-90	5668	100
10-90	5479	96.7
20-40	1804	31.8
20-50	2827	49.9
40-70	2651	46.8
60-80	1093	19.3
70-80	390	6.9
80-90	93	1.6
90-110	0	0
90-120	0	0
90-130	0	0
90-150	0	0
90-180	0	0
110-180	0	0
0-180	5668	100

LUMINANCE DATA (CD/M²)

Vertical Angle	Horizontal Angle		
	0	45	90
45	6999	6999	6999
55	6743	6743	6743
65	6274	6274	6274
75	5303	5303	5303
85	3209	3209	3209



Standard Diffuse

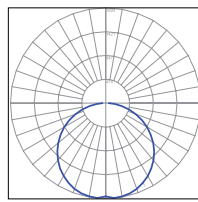
File Name: SCE-2L35K-14-SD-L5
Luminaire Lumens: 5814
Total Watts: 74
Efficacy: 79 lm/W

COEFFICIENTS OF UTILIZATION

Zonal Cavity Method | Effective Floor Cavity Reflectance = .20

RC RW	80				70				50					
	70	50	30	10	70	50	30	10	50	30	10	50	30	10
RCR														
0	119	119	119	119	116	116	116	116	111	111	111	111	111	111
1	108	103	99	94	105	101	97	93	96	93	90	88	85	82
2	98	89	82	76	95	87	81	75	84	78	74	71	67	63
3	89	78	70	63	87	77	69	62	73	67	61	57	53	49
4	81	69	60	53	79	68	59	53	65	58	52	48	44	40
5	75	61	52	45	73	60	52	45	58	50	45	41	37	32
6	69	55	46	39	67	54	46	39	52	45	39	35	31	27
7	64	50	41	35	62	49	41	35	48	40	34	30	26	22
8	59	46	37	31	58	45	37	31	43	36	31	27	22	17
9	55	42	33	28	54	41	33	28	40	33	27	23	18	13
10	52	38	30	25	51	38	30	25	37	30	25	21	16	11

PHOTOMETRIC CURVE



CANDELA DISTRIBUTION

Vertical Angle	Horizontal Angle			
	0	30	60	90
0	1852	1852	1852	1852
5	1894	1832	1836	1886
10	1884	1826	1826	1865
15	1856	1806	1803	1829
20	1812	1771	1766	1776
25	1751	1721	1715	1708
30	1674	1655	1647	1624
35	1583	1573	1562	1527
40	1479	1473	1458	1416
45	1362	1355	1339	1292
50	1235	1226	1207	1156
55	1097	1085	1065	1009
60	953	936	915	853
65	799	780	754	690
70	641	619	588	522
75	482	456	422	357
80	326	301	262	201
85	182	158	121	69
90	61	43	14	1

ZONAL LUMEN SUMMARY

Zone	Lumens	%Fixt
0-20	690	11.9
0-30	1483	25.5
0-40	2461	42.3
0-60	4449	76.5
0-80	5658	97.3
0-90	5814	100
10-90	5638	97
20-40	1771	30.5
20-50	2805	48.2
40-70	2739	47.1
60-80	1209	20.8
70-80	458	7.9
80-90	156	2.7
90-110	0	