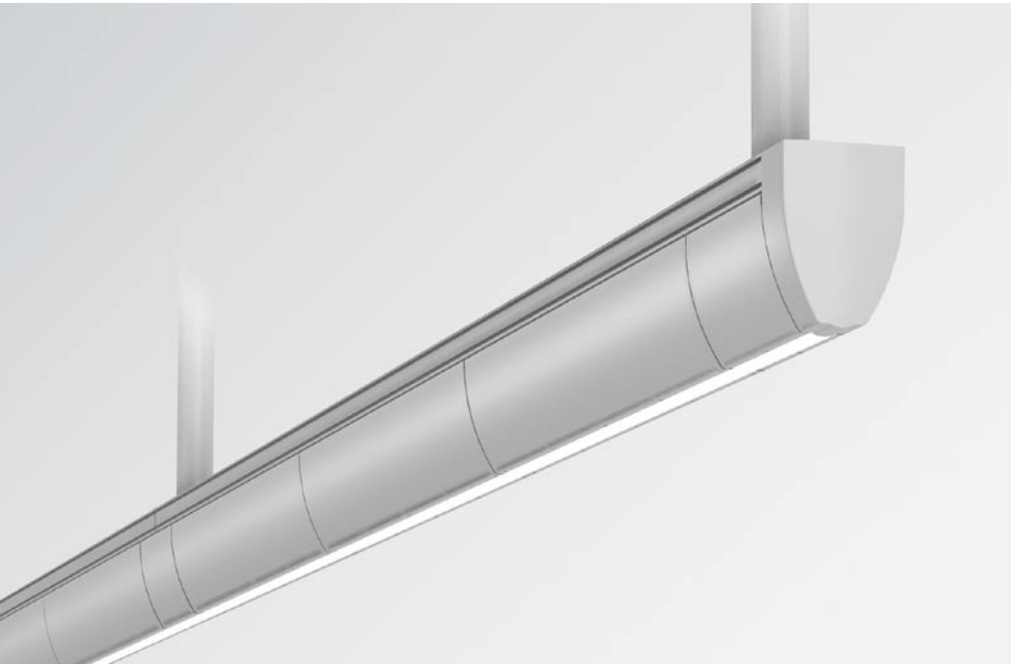
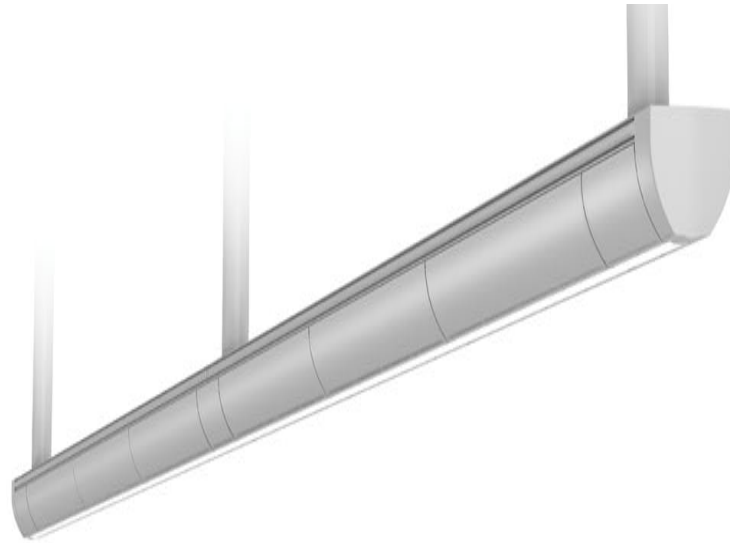


 Metalumen



**THE METRO**   
LED Signband Platform Lighting

A Metalumen™ Product



An architecturally versatile, operationally efficient LED signband that leads the way in the unencumbered integration of illumination, signage, services and security systems into mass transit platforms and volumetric public spaces.

### THE METRO KEY FEATURES

#### TOTAL PLATFORM SYSTEMS SOLUTION

Careful integration of mass transit platform operational and maintenance requirements into every aspect of the Metro design, including: highly efficient LED platform lighting, platform signage, electronic signboard compatibility, platform power/data/communications raceway provision and, platform security and speaker systems.

#### LATEST LED LIGHT SOURCE TECHNOLOGY

The latest, high efficiency LED lighting technology provides for a small platform lighting element footprint, high efficacy for sustainable design, long light source life, reduced operator maintenance costs, high quality white light and digitally controllable light source.

#### MODULAR DESIGN AND ASSEMBLY CONCEPT

Allows the operational flexibility to meet specific operator requirements; provides a modular design that is easily adaptable to local assembly and installation; an intrinsic structural integrity that enables individual component lengths and mounting centers up to 22.8' (6.9m), and; provides ease of access to integrated platform services and technologies raceways for lower overall operating costs.

#### ADVANCED TECHNOLOGY ADAPTABILITY

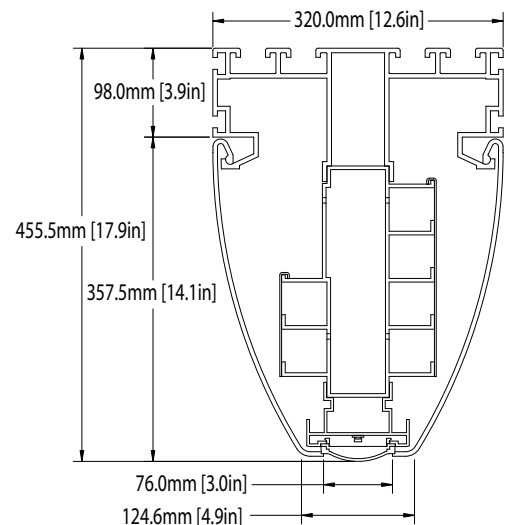
Provides an open and future-proof backbone designed to be adaptable to future innovative lighting, services, communications and security technologies.

#### CUSTOMIZABLE EXTERIOR DESIGN

Modern, high quality design that enables an aesthetic that is adaptable to a wide variety of architectural spaces, operational footprints, signage disciplines and unique operator brands.

#### ENVIRONMENTALLY FRIENDLY

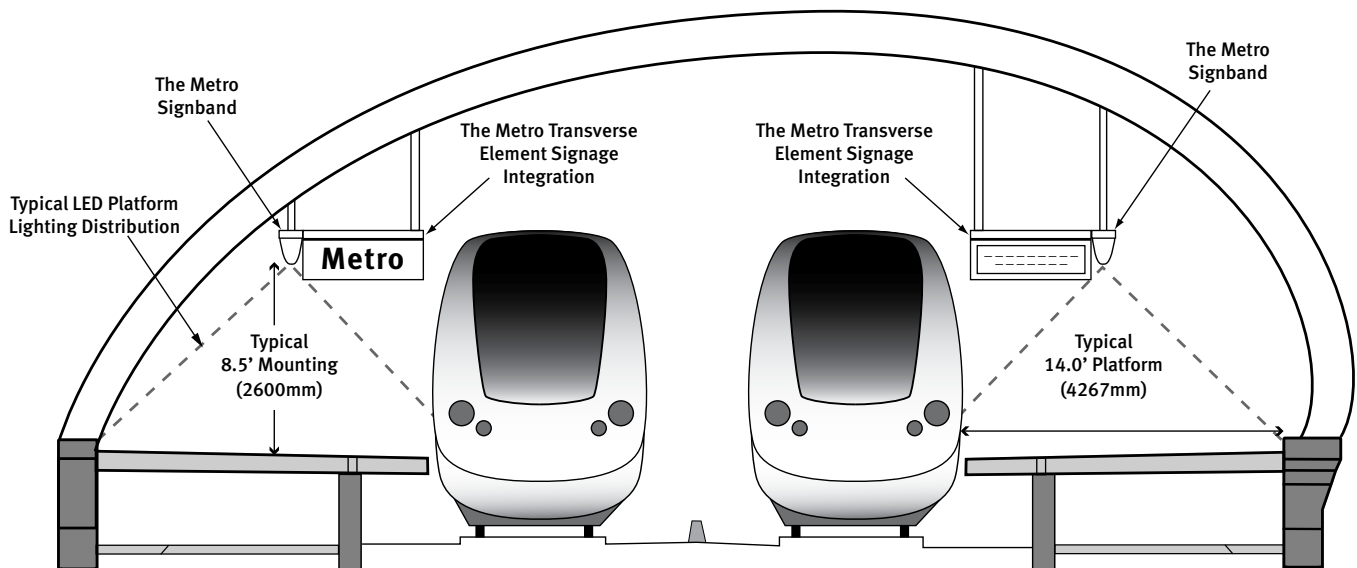
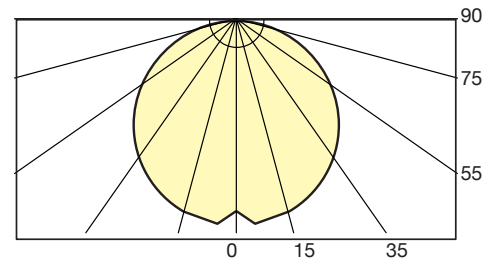
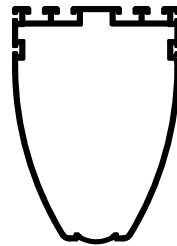
Use of the latest, highly efficient LED illumination technology; sustainable and resource efficient materials, and; up to 97% system recyclability.





### THE METRO LED PLATFORM SIGNBAND LIGHTING FEATURES

- Platform lighting + signage in a single architectural element
- Small platform lighting footprint
- High efficacy for sustainable design – low LPD
- Long light source life – Up to 50,000 hours
- Low platform lighting maintenance reduces operator costs
- High quality white light – CRI > 80
- Digitally controllable light source
- Up to 97% system recyclability





## SPECIFICATIONS

### CONSTRUCTION

A three-piece extruded aluminum main beam complete with integral and continuous hanger mounting, door hinge, services raceways, LED light tray and provision for security camera, speaker system and transverse element mounting. Type 6063 extruded aluminum, T5 heat treated and Type 316 marine grade stainless steel fasteners. Main beam sections up to a nominal 22.8' (6.9m).

One-piece extruded aluminum access doors complete with integral and continuous hinge and locking mechanism. Type 6063 extruded aluminum, T5 heat treated and Type 316 marine grade stainless steel fasteners. Access door sections up to a nominal 7' (2.1m).

One-piece, machined Type 6063 aluminum end caps. Add 6" for each end cap for full luminaire/run length. A neoprene closed cell gasket is applied to all joints and access points providing a water tight seal for both interior and exterior applications.

### LED LIGHT SOURCE

A bottom mounted light tray contains a custom LED light source that is plug-and-play, 100% direct and designed specifically to the light level and distribution requirements of the operator and application. Weather resistant, outdoor LED drivers are located behind access doors for quick and easy access. The lighting control is provided by an extruded, UV stabilized optical polycarbonate lens that provides symmetric downlight.

### FINISH

High-quality, UV stabilized polyester powder coat. Available in standard Metalumen aluminum grey or a selection of other factory and customer-specified colors. Please consult factory for details with respect to all paint options and/or the application of a unique operator brand.

### ELECTRICAL

Designed for quick and easy in-field wiring through integral power raceways – low-voltage, 120V, 277V and 347V. For special circuiting, wiring, dimming, battery pack or emergency lighting, please consult factory.

### MOUNTING

Pendant and side-mount options offered with a rigid hanger (by others) for interior and exterior applications. Continuous hanger attachment is available along the complete length of the main beam. Main beam sections and hanger mounting centres are available up to 22.8' (6.9m), depending on site wind load and vibration conditions.

### INTERIOR/EXTERIOR APPLICATION AND CERTIFICATION

Extruded aluminum section connectors enable individual sections to expand and contract by 0.27" (6.9mm) thermal expansion and contraction and provide an operating range +120:F to -40:F (+50:C to -40:C). A neoprene closed cell gasket is applied to all joints and access points providing a water tight seal for both interior and exterior application. IP65 Rated (Dust and Water Tight) and UL, C-UL equivalent certification.

METROLUMEN™ Transportation Lighting

Metalumen Manufacturing Inc.  
570 Southgate Drive  
Guelph, Ontario, Canada  
N1G 4P6

Toll Free: 1-800-621-6785  
Tel: 1-519-822-4381  
Fax: 1-519-822-4589

Mailing Address  
PO Box 1779  
Guelph, Ontario, Canada  
N1H 6Z9

[www.metalumen.com](http://www.metalumen.com)

These designs remain the property of Metalumen. We reserve the exclusive right to reproduce them and to manufacture the items illustrated herein. Some combinations may not be available, consult factory. Metalumen is a registered trademark.

Copyright ©2011 Metalumen Manufacturing Inc. All rights reserved.