

NOTE: The following instructions provide general guidelines for product installation. For additional information consult the applicable electrical codes or contact factory directly for support before attempting anything with uncertainty.

CAUTION: Do not assemble fixture runs on floor.

WARNING: Risk of fire and electrical shock. **DISCONNECT POWER AT ELECTRICAL PANEL** before installing or servicing this product.

NOTE FOR 3" REGRESSED FIXTURE:

WALL MUST BE FINISHED AT LEAST 6" ABOVE THE CEILING BEFORE THE FIXTURE IS MOUNTED.

GENERAL SAFETY INSTRUCTIONS:

1. Read all instructions prior to installing this fixture.
2. This product must be installed in accordance with the applicable installation code by a person familiar with the construction and operation of the product and the hazards involved.
3. All wiring must be performed by a qualified electrician in accordance with national and local building and electrical codes.
4. This fixture must be suitably grounded for your protection against shock hazards and to assure proper operation.
5. Make sure that the power source conforms to the requirements of this fixture.

Specifications and design subject to change without notice.

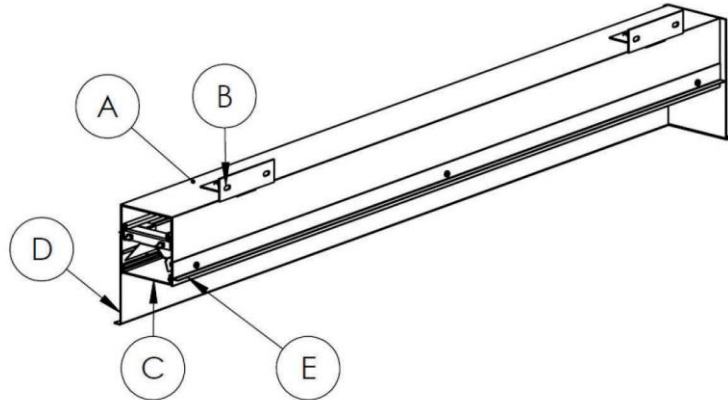
PARTS LIST

MAIN PARTS

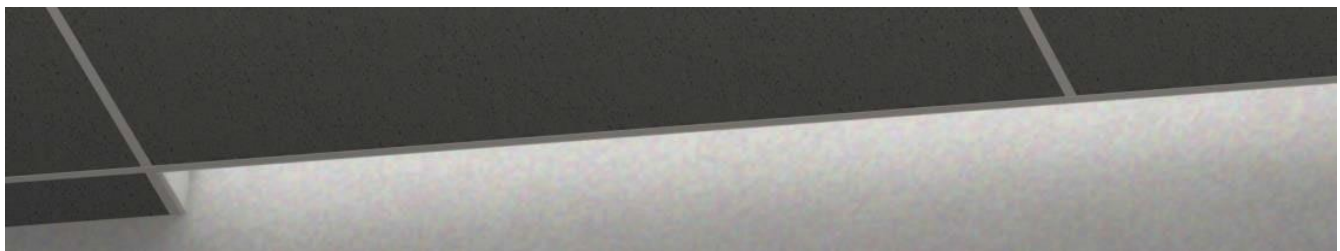
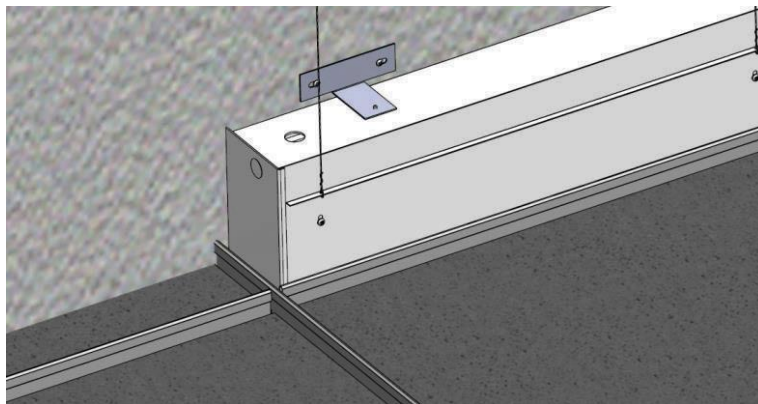
- A. Luminaire Enclosure
- B. Wall Mounting Bracket
- C. Lens
- D. Fascia
- E. Wall Side Bracket

OTHER PARTS

- Reflector/LED Board Assembly



IMAGES OF INSTALLED FIXTURE




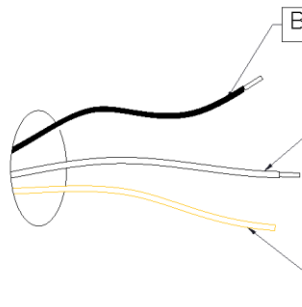
Specifications and design subject to change without notice.

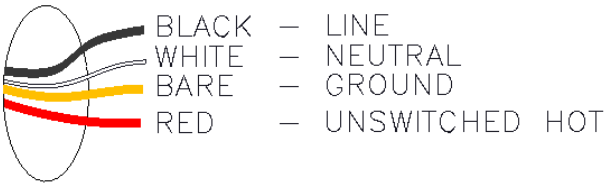
REQUIRED TOOLS

DRILL	#8 PHILLIPS BIT	#8 PHILLIPS SCREWDRIVER	WRENCH
			

Important: Use clean gloves to avoid adding oil/dirt to optics surface. Avoid scratching optics by using installation tools with soft plastic rounded edges

WIRING DIAGRAMS

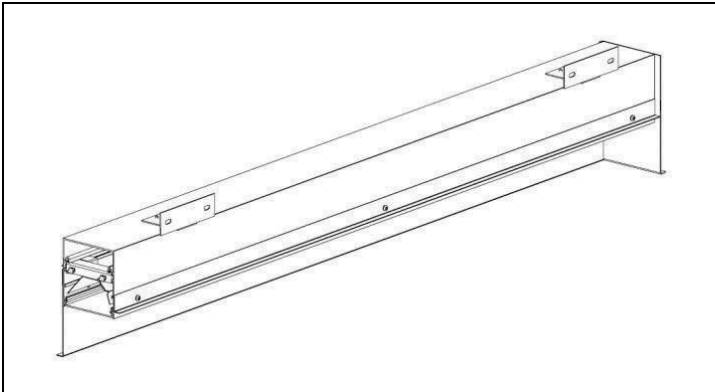
STANDARD WIRING	WITH OPTIONAL EMERGENCY PACK
<p>WIRE ENTRY 5 LEADS</p> 	

WITH OPTIONAL BATTERY PACK
<p>(4) LEADS</p> 

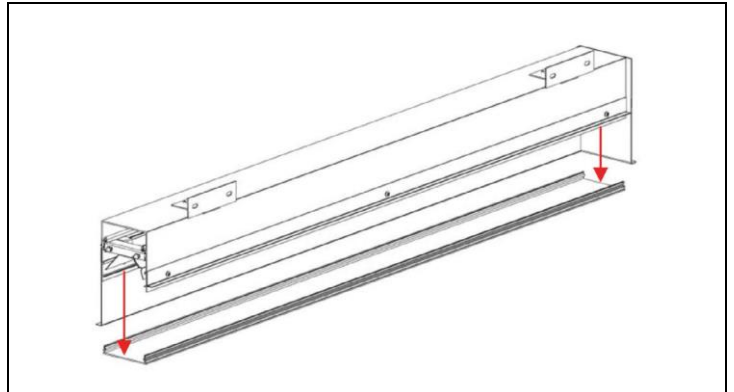
T-BAR CENTERS SPACING		
FIXTURE	T-BAR LENGTH	T-BAR WIDTH
4'	1219.2 mm (48.0")	101.6 mm (4.0")
8'	2438.4 mm (96.0")	101.6 mm (4.0")
12'	3657.6 mm (144.0")	101.6 mm (4.0")
FIXTURE FITS STANDARD T-BAR (9/16" & 15/16")		

Specifications and design subject to change without notice.

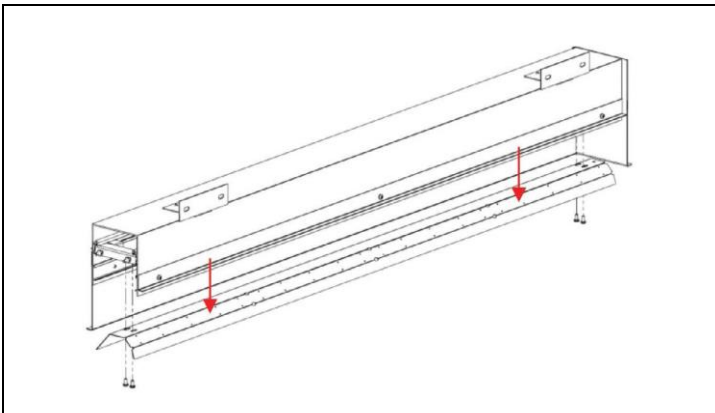
STEP-BY-STEP INSTRUCTIONS



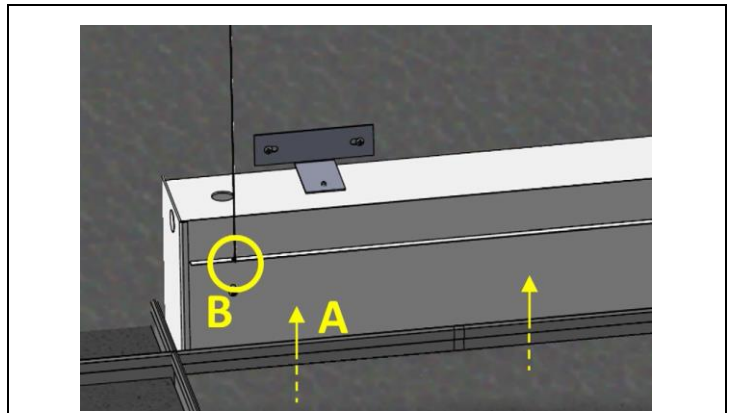
STEP 1. Remove luminaire from packaging.



STEP 2. Remove the lens by gently pressing into the middle of the lens near the endcap and prying up the exposed edge.



STEP 3. Unscrew fasteners to remove reflector assembly.



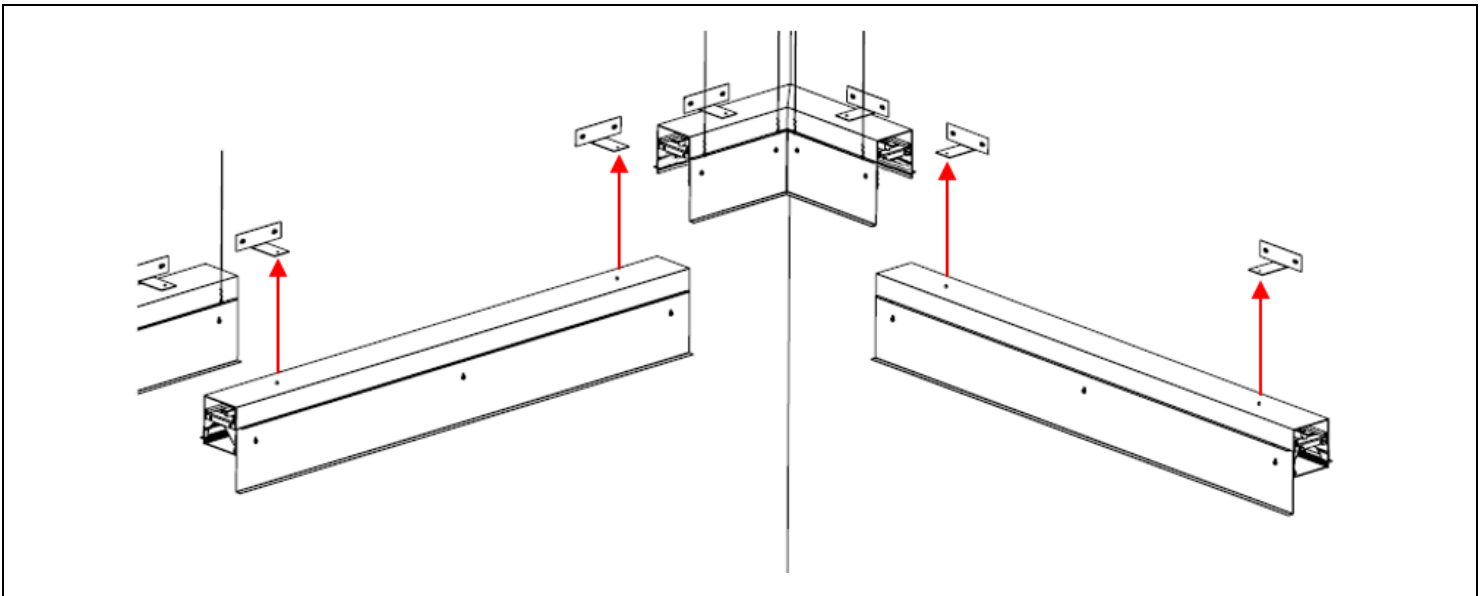
STEP 4. Lift luminaire up into ceiling and fasten to wall (A). Secure suspension cables to holes on fascia (B).

Specifications and design subject to change without notice.

JOINING INSTRUCTIONS



STEP 1. For continuous runs, with the reflector and lens removed, attach the joiner brackets of adjacent luminaires using the two screws circled. Connect wires between luminaires as per the wiring diagram.



STEP 2. If using corners, remove lens, reflectors and wall brackets, then install them into ceiling as per standard instructions (Step 4). It is recommended to install corners before adjacent luminaires. Join corner units with adjacent luminaire as per step 1. Reinstall lens and reflectors.

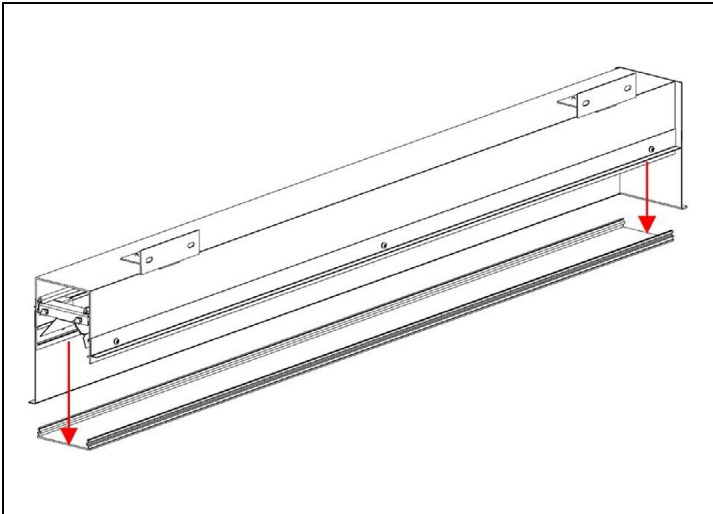
Specifications and design subject to change without notice.

MAINTENANCE

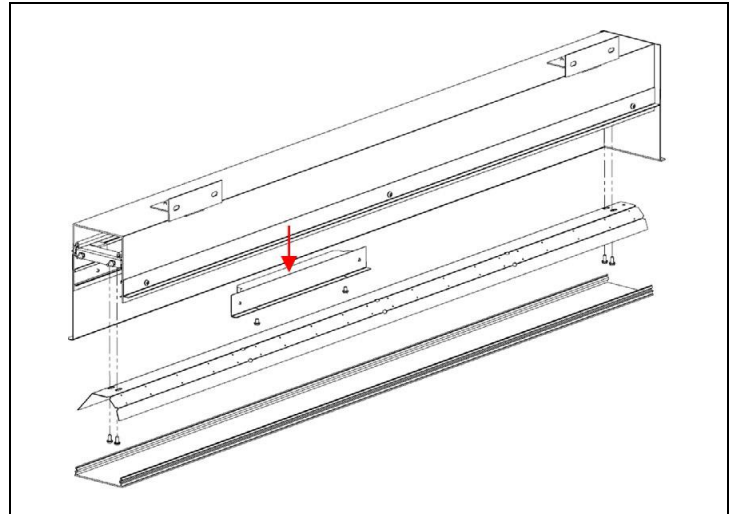
REQUIRED TOOLS:

- Plastic / Latex Gloves
- Screwdriver

Important: Use clean gloves to avoid adding oil/dirt to reflector surface. Avoid scratching reflector surface by using installation tools with soft plastic rounded edges.



STEP 1. For LED board maintenance, remove the lens by gently pressing into the middle of the lens near the endcap and prying up the exposed edge. The LED boards are now accessible.



STEP 2. For driver maintenance, continue by removing the reflector assembly. Remove driver mounting plate assembly, and service driver as required.

Specifications and design subject to change without notice.