

INSTALLATION INSTRUCTIONS

RAIL 4 PERIMETER

RP4D Recessed T-Bar
Standard Run, Integral Driver



NOTE: The following instructions provide general guidelines for product installation. For additional information consult the applicable electrical codes or contact factory directly for support before attempting anything with uncertainty.

CAUTION: Do not assemble luminaire runs on floor.

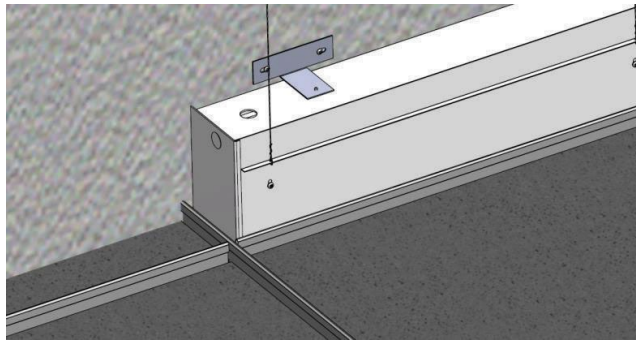
WARNING: Risk of fire and electrical shock. **DISCONNECT POWER AT ELECTRICAL PANEL** before installing or servicing this product.

GENERAL SAFETY INSTRUCTIONS:

1. Read all instructions prior to installing this luminaire.
2. This product must be installed in accordance with the applicable installation code by a person familiar with the construction and operation of the product and the hazards involved.
3. All wiring must be performed by a qualified electrician in accordance with national and local building and electrical codes.
4. This luminaire must be suitably grounded for your protection against shock hazards and to assure proper operation.
5. Make sure that the power source conforms to the requirements of this luminaire.
6. This product has accessible output terminals. Based on Canadian Electrical Code for class 2 circuits, this product requires installation in Restricted Access Area, so that no live parts are accessible to unauthorized persons.

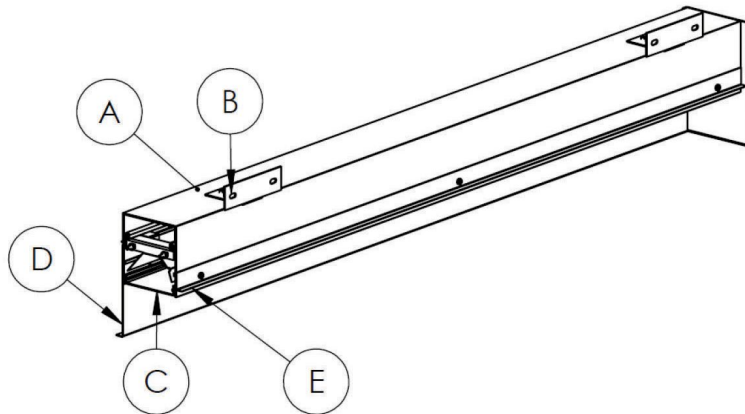
Specifications and design subject to change without notice.

IMAGES OF INSTALLED FIXTURE



PARTS LIST

- A. Luminaire Body
- B. Wall Mounting Bracket
- C. Lens
- D. Fascia
- E. Wall Side Bracket



Specifications and design subject to change without notice.

Required Tools

| DRILL | #8 PHILIPS BIT | #8 PHILLIPS SCREWDRIVER | WRENCH |
|--|---|---|---|
|  |  |  |  |

Important: Use clean gloves to avoid adding oil/dirt to optics surface. Avoid scratching optics by using installation tools with soft plastic rounded edges.

WIRING DIAGRAM

INTEGRAL DRIVER TO LINE VOLTAGE

WIRE ENTRY 5 LEADS



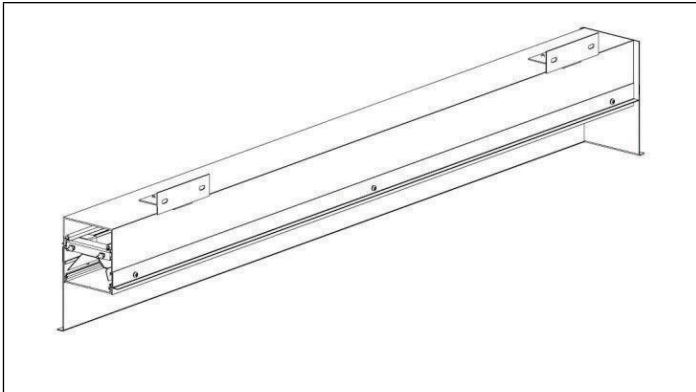
T-BAR CENTERS SPACING

| FIXTURE | T-BAR LENGTH | T-BAR WIDTH |
|---------|-------------------|-----------------|
| 4' | 1219.2 mm (48.0") | 101.6 mm (4.0") |
| 8' | 2438.4 mm (96.0") | 101.6 mm (4.0") |
| 12' | 3657.6mm (144.0") | 101.6 mm (4.0") |

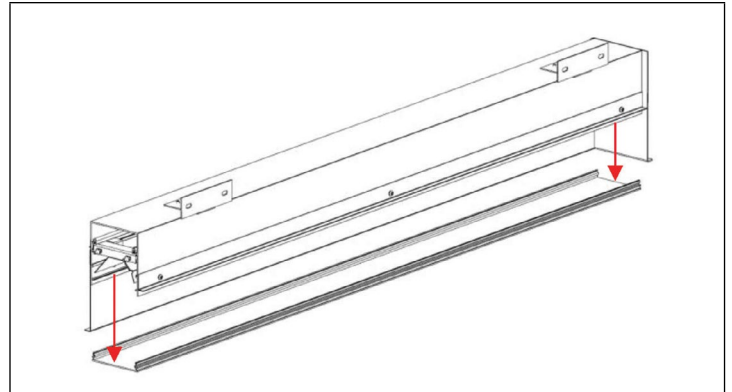
FIXTURE FITS STANDARD T-BAR (9/16" & 15/16")

Specifications and design subject to change without notice.

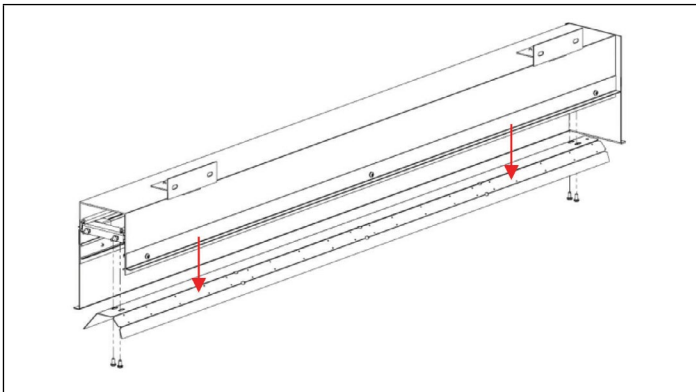
STEP-BY-STEP INSTRUCTIONS



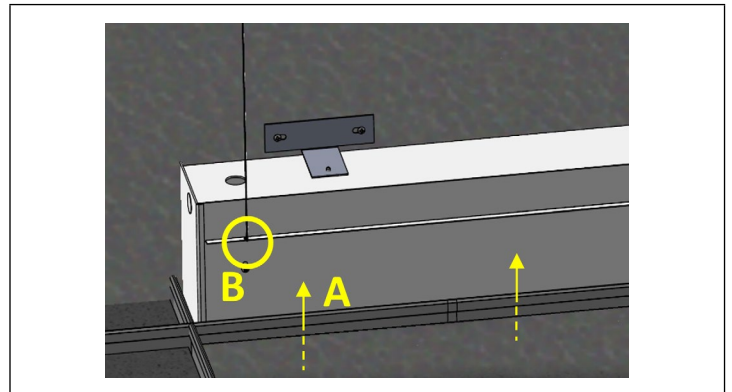
STEP 1. Remove luminaire from packaging.



STEP 2. Remove the lens by gently pressing into the middle of the lens near the endcap and prying up the exposed edge.



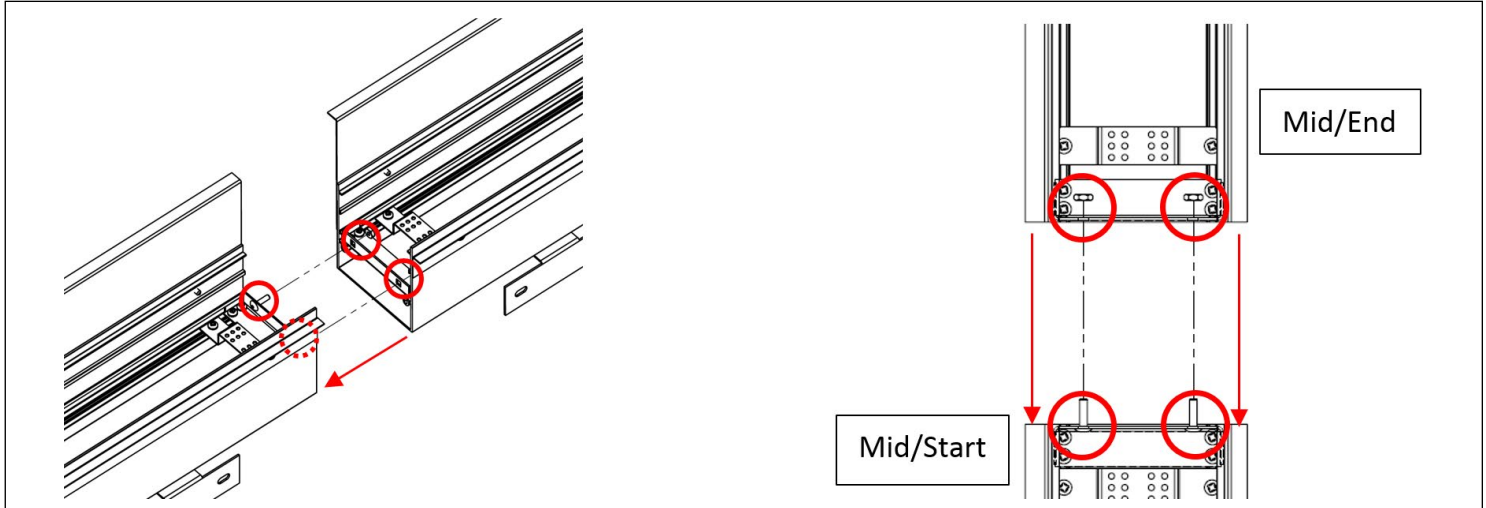
STEP 3. Unscrew fasteners to remove reflector assembly



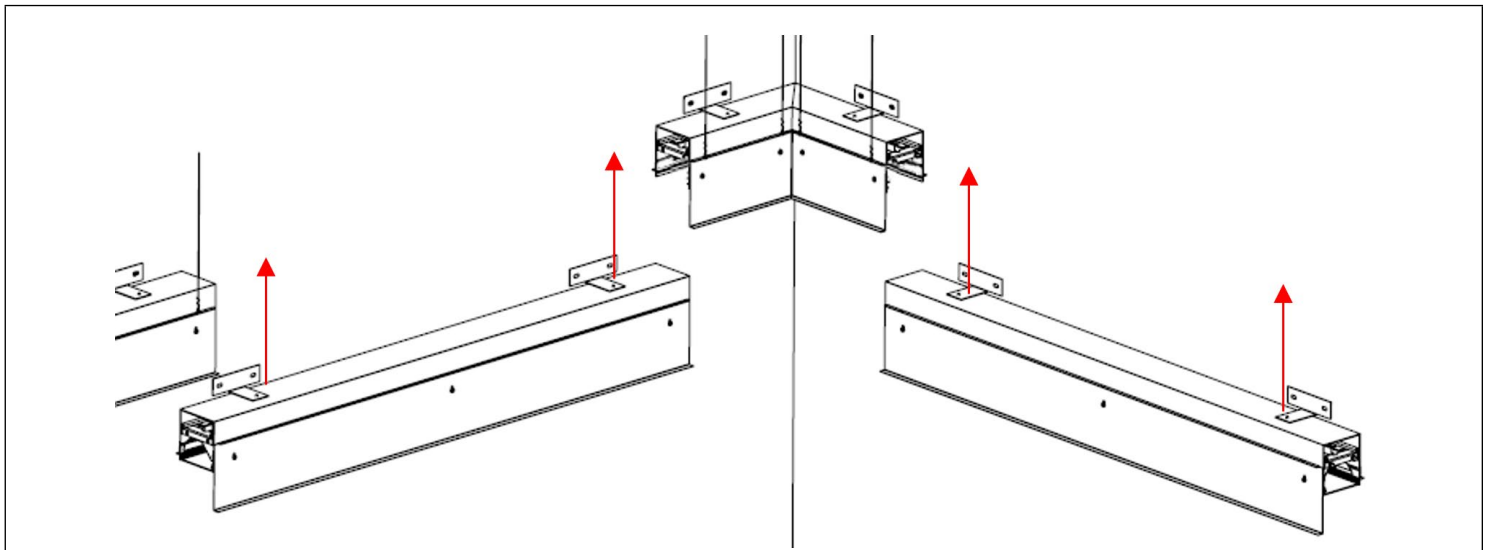
STEP 4. Lift luminaire up into ceiling and fasten to wall (A). Secure suspension cables to holes on fascia (B).

Specifications and design subject to change without notice.

STEP-BY-STEP INSTRUCTIONS



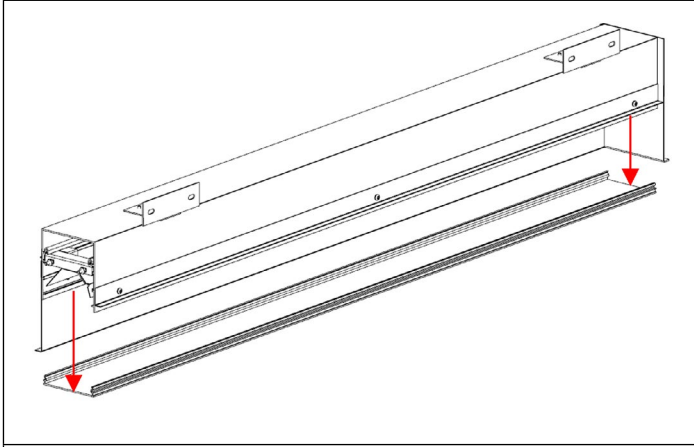
STEP 5. For continuous runs, with the reflector and lens removed, attach the joiner brackets of adjacent luminaires using the two screws circled. Connect wires between luminaires as per the wiring diagram.



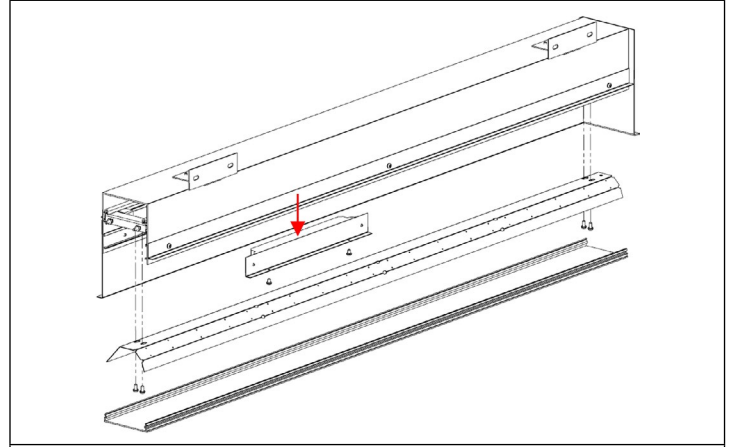
STEP 6. If using corners, remove lens and reflectors, then install them into ceiling as per step 4. It is recommended to install corners before adjacent luminaires. Join corner units with adjacent luminaire as per step 5. Reinstall lens and reflectors.

Specifications and design subject to change without notice.

MAINTENANCE



For LED board maintenance, remove the lens by gently pressing into the middle of the lens near the endcap and prying up the exposed edge.



For driver maintenance, continue by removing the reflector assembly. Remove driver mounting plate assembly, and service driver as required.

Specifications and design subject to change without notice.