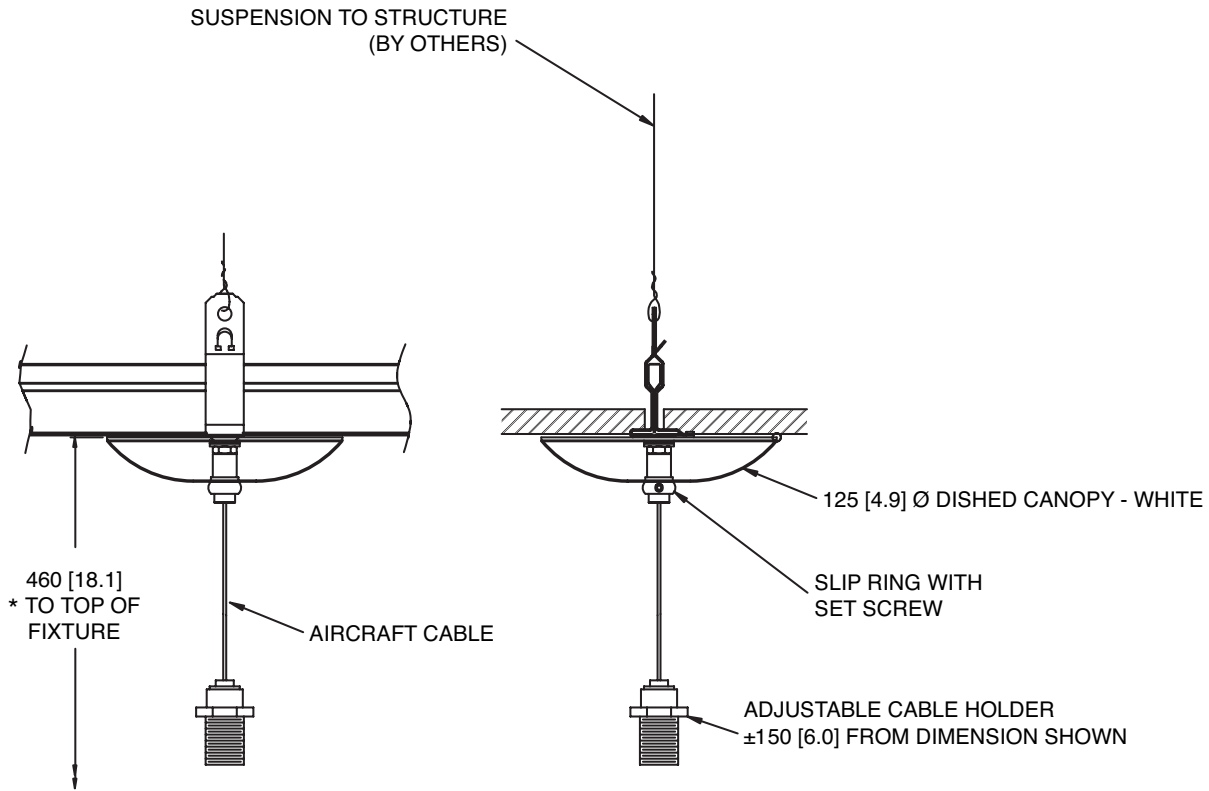


Mounting Options T-BAR MOUNTING **TO-M4-TB23**

T-Bar, Aircraft Cable



Site installation must comply with national and local building and electrical codes.

Notes

Aircraft cable mounting detail for T-Bar ceiling applications.
 Fixture is ultimately supported to structure - not to T-Bar.

Mounting height

* Standard mounting height as shown above.
 If a different height is required please indicate below

special height _____

All dimensions are nominal and subject to tolerances. We reserve the right to make changes that will not alter installed appearance, function, or performance. These designs remain the property of Metalumen. We reserve the exclusive right to reproduce them and to manufacture the items illustrated herein. Some combinations may not be available, consult factory. Metalumen™ is a registered trade mark. © 2006 Metalumen Manufacturing Inc.

Approvals

R2-05-06



570 Southgate Drive, Guelph, Ontario N1H 4P6
 Mailing Address: P.O. Box 1779 Guelph, Ontario, N1H 6Z9
 T: 800.621.6785 T: 519.822.4381 F: 519.822.4589
 www.metalumen.com

Signature _____

Date _____