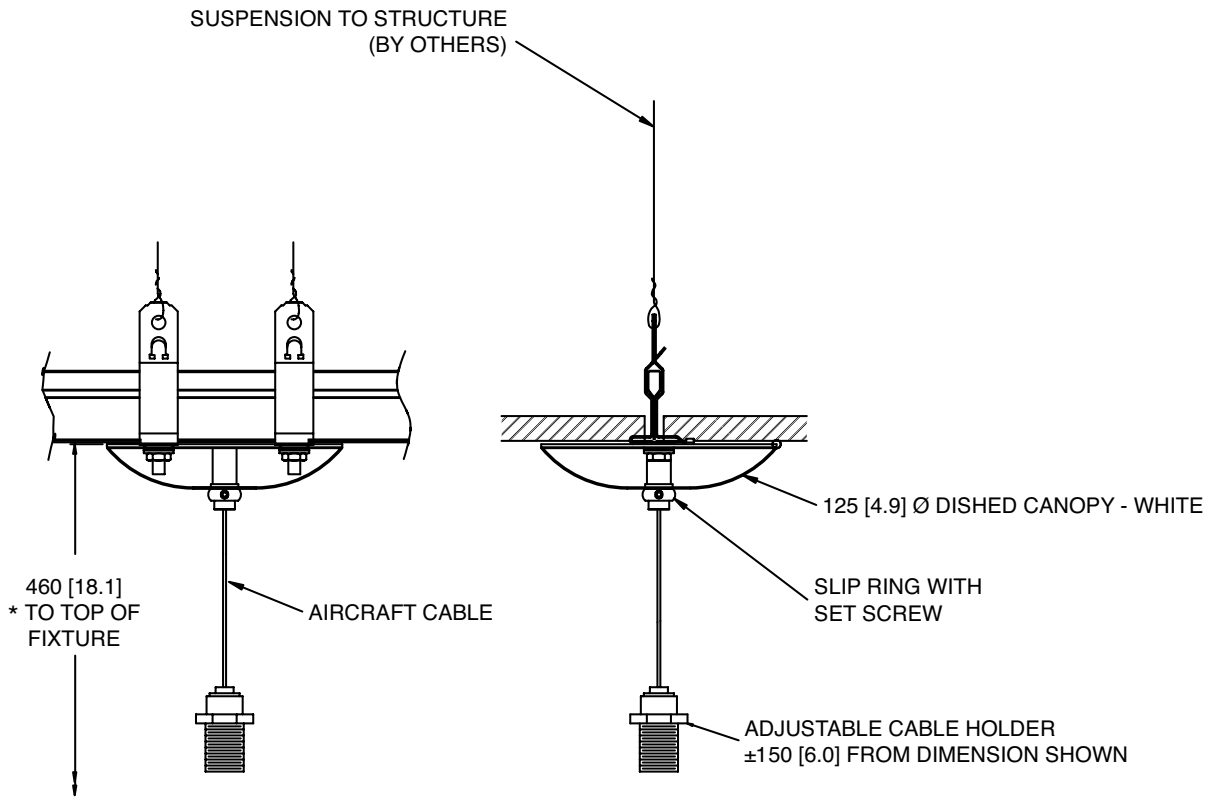


T-Bar, Aircraft Cable (Heavy Duty)



Notes

Heavy duty aircraft cable mounting detail for T-Bar ceiling applications. Fixture is ultimately supported to structure - not to T-Bar.

Heavy duty mounting is required for the following fixtures:

- | | |
|------------------------------------|---------------------------|
| Manta C2C, C2S | Talum C7L |
| Orbit O2A, O2B, O2X, O2C, O2D, O2M | Stylus C6 |
| Horizon O5J, O5P, O5S, O5T | Armatura SD3 |
| Tempo O3A, O3S | Platin SD4 ,SD5 ,SD6, SD7 |
| Diamond D4E, D4F, D4S | |

Site installation must comply with national and local building and electrical codes.

Mounting height

* Standard mounting height as shown above. If a different height is required please indicate below

special height _____

All dimensions are nominal and subject to tolerances. We reserve the right to make changes that will not alter installed appearance, function, or performance. These designs remain the property of Metalumen. We reserve the exclusive right to reproduce them and to manufacture the items illustrated herein. Some combinations may not be available, consult factory. Metalumen™ is a registered trade mark. © 2006 Metalumen Manufacturing Inc.

Approvals

R2-05-06



570 Southgate Drive, Guelph, Ontario N1H 4P6
 Mailing Address: P.O. Box 1779 Guelph, Ontario, N1H 6Z9
 T: 800.621.6785 T: 519.822.4381 F: 519.822.4589
 www.metalumen.com

Signature _____

Date _____