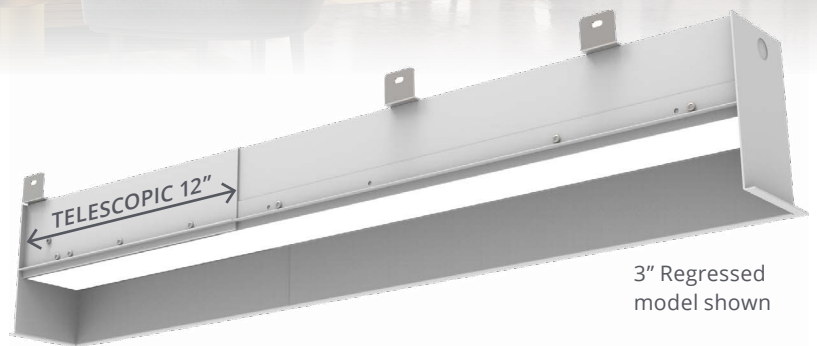


RAIL 4 PERIMETER

RP4D | Direct
LED | Flush, 3" Regressed



Our **Perimeter RP4D** offers flexibility, ease of installation and light where you want it.



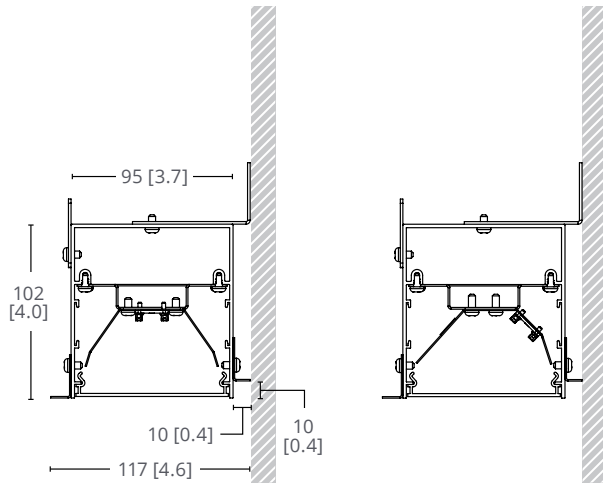
Whether you need main lighting in a hallway, want to accent a feature wall or subtly define a space.

The **Rail 4 Perimeter (RP4D)** offers both asymmetric and symmetric distributions. Asymmetric (Ambient) creates a unique illumination pattern, that enhances wall features and illuminates the room. Symmetric (Perimeter) shapes the beam into an optimal downward distribution, highlighting the transition between ceiling and wall.

RP4D OFFERS THE FOLLOWING INDUSTRY LEADING FEATURES:

- 12" Telescopic portion for precise run lengths, cut on site
- Fully illuminated 90° corners
- 80+ CRI standard and optional 90+ CRI available

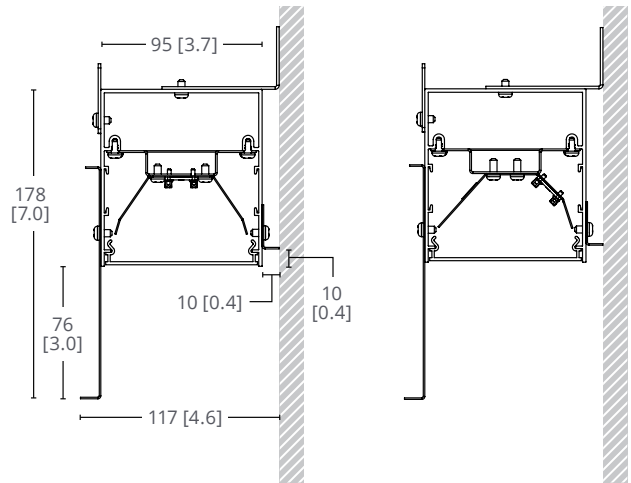
CROSS SECTIONS



Meta Blanc with Symmetric Reflector

Meta Blanc with Asymmetric Reflector

FLUSH



Meta Blanc with Symmetric Reflector

Meta Blanc with Asymmetric Reflector

REGRESSED 3"

ORDERING LOGIC

Sample part number: **RP4D-1L35K-12-MB-W-L31-T3-1-90**

Series/Model	RP4D	
Color Temp	1L30K 1L35K 1L40K	3000K 3500K 4000K
Length**	XX	Total Length (in ft.) Minimum length of 2' Each specified run includes a telescopic section.
Pattern	G U L (empty)	Square / Rectangle U-Shape L-Shape None (leave space empty)
Optics	MB MBA	Meta Blanc w/ Symmetric Reflector Meta Blanc w/ Asymmetric Reflector Meta Blanc: Opal Diffuse Lens
Finish	W C	White Custom Finish (Specify RAL#)
Light Level / Driver*	L1 L2 L3 L4	See Performance at 3500K (right)
Circuitry	1 EM B	1 Circuit Emergency / Night Light* Emergency Battery Pack*
Mounting	T T3 D D3 K K3	Recessed T-Bar Flush Recessed T-Bar Regressed 3" Recessed Drywall Flush Recessed Drywall Regressed 3" Drywall Spackle Flange Drywall Spackle Flange Regressed 3"
Voltage	1 2 3 4	120V 277V 347V UNV (120 - 277V)
Options	90 P SL (empty)	90 CRI Plenum Standard Lengths Only (No Telescopic Sections) None (leave space empty)

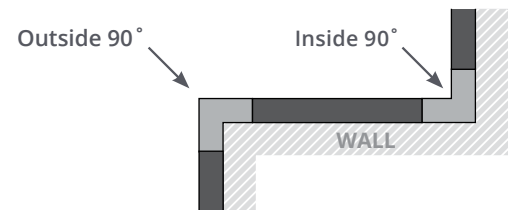
* Consult factory. | **Certain lengths may include up to 2 telescopic sections.

BENEFITS

- Standard lengths: 2', 3', 4', 5', 8', 10', 12'
- Telescopic lengths: 2' / 3' / 4' + 12" telescopic section
- Lit corners: 12" x 12"
- Available in flush ceiling and 3" regressed ceiling
- 0-10V dimming standard

CORNERS

Fully Illuminated 90° Corners



PERFORMANCE at 3500K 0-10V Dimming (Standard)

Optics	Light Level	Lumens Delivered (lm/ft)	Wattage (W/ft)	Efficacy (LPW)	Distribution Curves L3
MB	L1	350	3.5	100	
	L2	439	4.4	99	
	L3	596	6.1	99	
	L4	1106	12.5	89	
MBA	L1	343	3.5	98	
	L2	429	4.4	97	
	L3	583	6.1	96	
	L4	1081	12.5	87	

Based on flush application

For more information about our new products, please visit www.metalumen.com

Metalumen reserves the right to change specifications for product improvement without notice.

20190130