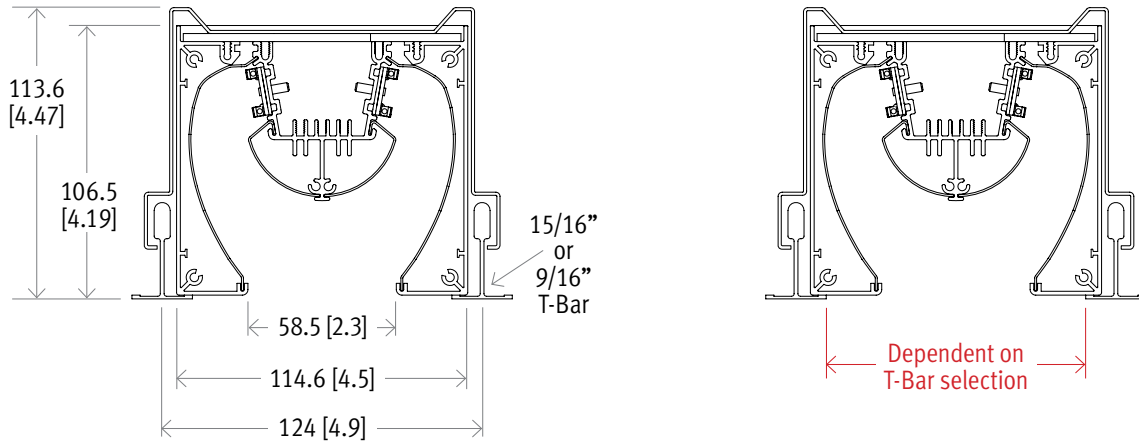


CROSS SECTION DETAIL



PHOTOMETRIC DATA - 3500K

L3

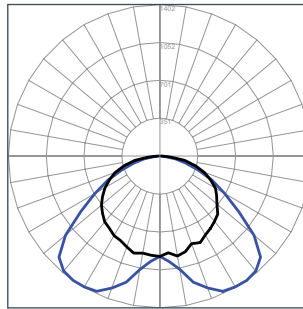
File Name: DR25-2L35K-4-L3
 Luminaire Lumens: 4434
 Total Watts: 48.576
 Efficacy: 91 lms/W
 Optics Up: None
 Optics Down: None

COEFFICIENTS OF UTILIZATION

Zonal Cavity Method
 Effective Floor Cavity Reflectance = .20

RC	80				70				50			
	70	50	30	10	70	50	30	10	50	30	10	
RCR												
0	119	119	119	119	116	116	116	116	111	111	111	
1	108	103	98	94	105	101	97	93	96	93	90	
2	98	89	82	75	95	87	80	75	83	78	73	
3	88	77	68	62	86	75	67	61	72	66	60	
4	80	68	58	51	78	66	58	51	64	56	50	
5	73	60	50	43	71	59	50	43	56	49	43	
6	67	53	44	37	65	52	43	37	50	43	37	
7	62	48	39	32	60	47	38	32	46	38	32	
8	58	43	34	28	56	43	34	28	41	34	28	
9	54	40	31	25	52	39	31	25	38	30	25	
10	50	36	28	23	49	36	28	22	35	27	22	

PHOTOMETRIC CURVE



CANDLE DISTRIBUTION

Vertical Angle	Horizontal Angle				
	0	22.5	45	67.5	90
0	927.81	927.81	927.81	927.81	927.81
5	895.97	942.32	991.84	989.54	977.07
10	937.74	948.48	1029.55	1041.02	1065.62
15	915.62	972.98	1104.73	1150.86	1206.87
20	862.94	987.01	1159.59	1272.5	1299.68
25	883.05	1004.83	1232.67	1353.09	1379.29
30	843.67	1024.11	1251.78	1368.98	1396.24
35	818.06	1037.58	1272.68	1371.19	1402.28
40	787.56	1029.09	1245.65	1337.96	1385.36
45	759.27	1011.36	1204.14	1287.87	1321.85
50	689.79	963.46	1150.47	1178.39	1141.26
55	642.37	909.44	1061.95	945.1	893.69
60	596.36	850.31	891.85	725.44	693.44
65	517.32	755.9	661.79	541.63	534.21
70	437.93	614.83	466.89	402.24	379.45
75	344.12	419.44	303.27	263.25	253.52
80	234.13	232.55	173.19	159.67	149.42
85	103.62	86.06	62.72	56.64	56.47
90	16.87	11.02	7.31	5.27	5.69

LUMINANCE DATA (CD/M²)

Vertical Angle	Horizontal Angle		
	0	45	90
45	7153	7180	7026
55	7210	6620	4855
65	7460	4464	3062
75	7246	2305	1589
85	4284	565	404