

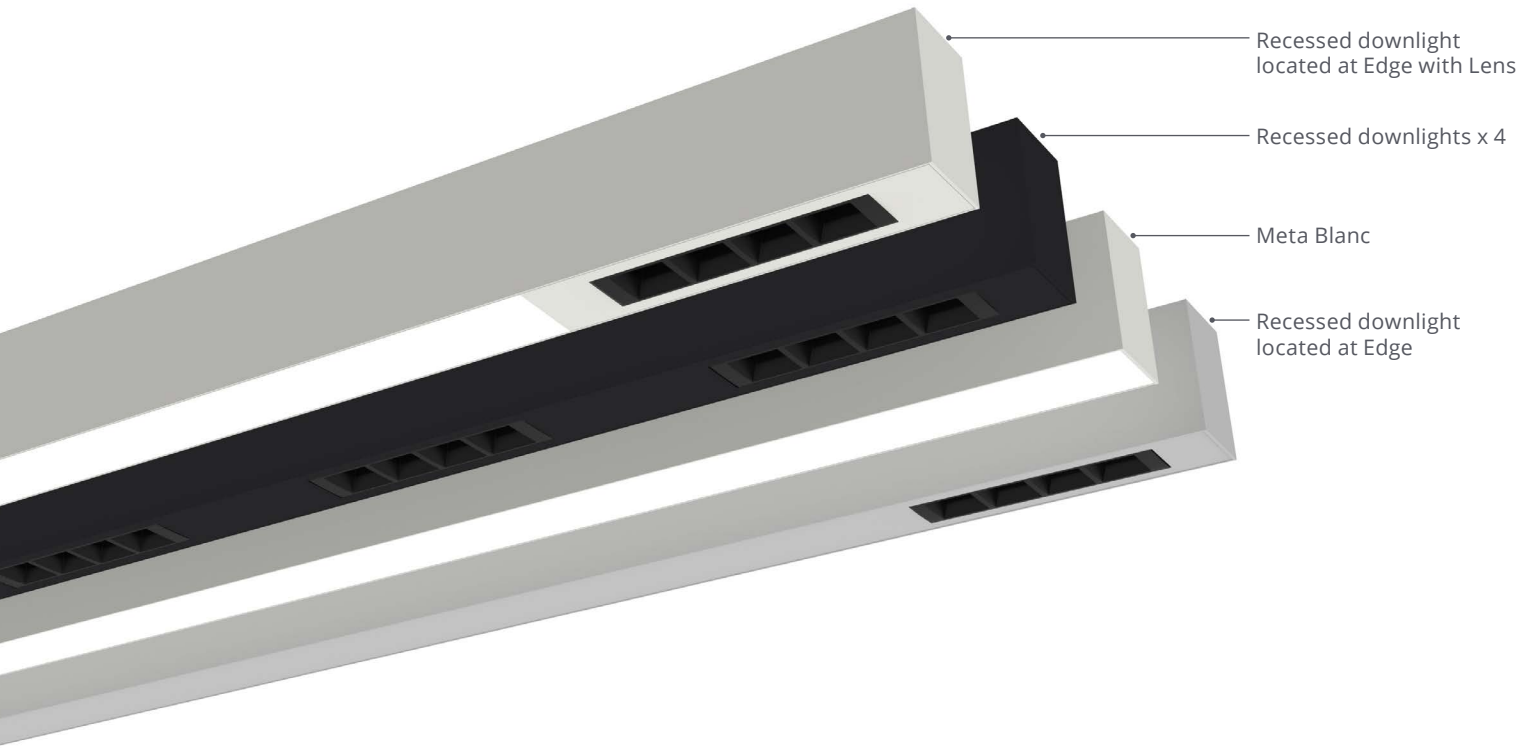
RAIL 2

RM2DU (formerly RM2DI)



LED | Direct / Indirect | Direct Accent Lighting

 Metalumen

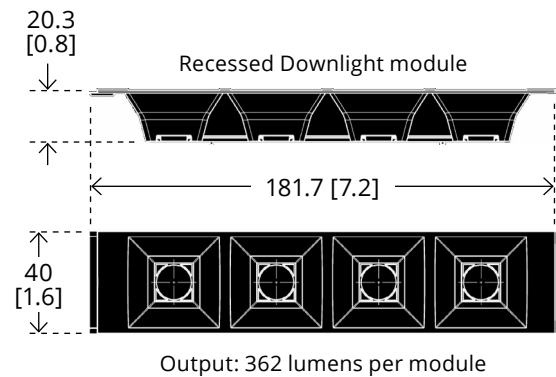


RM2DU (formerly RM2DI)

The new and improved next generation Rail 2 RM2DU (formerly the RM2DI) maintains its industry leading direct / indirect distribution and performance, but adds new and exciting accent lighting options, offering greater flexibility for lighting designers.

Comfortable, ambient lighting combined with Metalumen's standard glare-free Meta Blanc direct lens offers best-in-class illumination. This combination provides optimum lighting in spaces with low or high ceilings.

The RM2DU's new direct recessed downlights offer a stunning, rhythmical aesthetic while providing precise illumination that can be optimized for a variety of applications, whether the intention is general lighting, task-focused or providing dramatic effect.



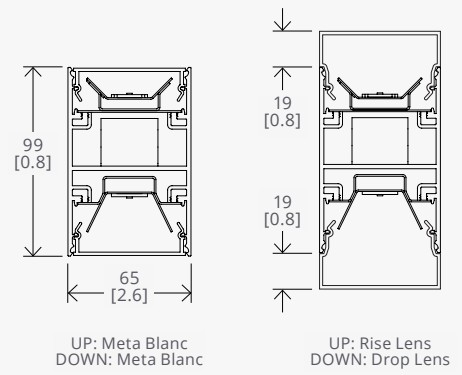
The RM2DU is ideal for:

- offices
- lobbies
- classrooms
- lounges
- hallways
- reception desks
- open concept spaces
- meeting / board rooms



RM2DU Options

	Standard	Accent - Recessed Downlight
Housing	Rigid extruded aluminum body, 2.3mm [0.09"] nominal wall thickness. Aluminum formed end caps.	
Color Temp	3000K, 3500K, 4000K	
Lengths (ft)	2, 3, 4, 5, 6, 7, 8, 9, 10, 11, 12, Continuous Rows (Consult factory)	4, 8, 12, Continuous Rows (Consult factory)
Patterns	Square, Rectangle, U-Shape, L-Shape Consult factory for custom patterns, including T-Shape and Cross / X-Shape Not available for wall mount. Not available for drop and rise lenses.	Not available for Accents.
Optics	UP: Meta Blanc / DOWN: Meta Blanc UP: Meta Blanc / DOWN: Drop Lens (not available with patterns) UP: Rise Lens / DOWN: Drop Lens (not available with patterns) UP: Meta Ice / DOWN: Meta Ice Meta Blanc, Rise Lens & Drop Lens: Opal Diffuse Lens Meta Ice: High-Output Semi-Diffuse Lens	Up: Meta Blanc or Rise Lens Down: See Accent Configurations on back page Beam spread: 50° or 80°
Finish (Body)	Satin Aluminum, White, Black, Custom Finish (Specify RAL#)	Satin Aluminum, White, Black, Custom Finish (Specify RAL#) Accent: Black finish only
Driver	0-10V, 1% Dimming	
Circuitry	1 Circuit, Up/Down Switching, Emergency/Night Light, Emergency Battery Pack	
Mounting	Pendant, Wall	
Voltage	120V, 277V, 347V, UNV (120-277V)	
Controls	Daylight Sensor, Occupancy Sensor, Daylight & Occupancy Sensors	
Options	80+ CRI (Standard), 90+ CRI	
Approvals	Certified to NRTL and IES testing standards. cULus pending.	
Environment	Suitable for dry or damp locations.	



More detail is available on the RM2DU spec sheets

Direct Accent Configurations

Available in 4, 8 and 12 sections only. Accent is available in black finish only.



Recessed downlight located at Edge



Recessed downlight located at Middle



Recessed downlights x2



Recessed downlights x3



Recessed downlights x4



Recessed downlights Full



Recessed downlight located at Edge with Lens

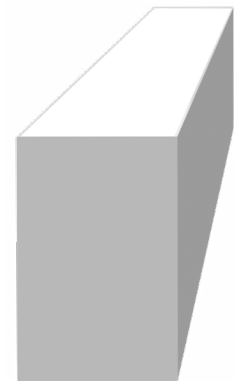


Recessed downlight located at Middle with Lens



Recessed downlights x2 with Lens

More Accent Configuration detail can be found on the RM2DU spec sheet



Indirect lighting provides comfortable ambience

Features & Benefits

- Efficacy up to 123 lm/W
- Direct recessed downlight option available in 4, 8 and 12 ft sections
- 50° and 80° accent beam spreads available
- 80+ CRI standard and optional 90+ CRI available
- Rise and drop lenses
- Pendant and Wall mount
- White, Black and Satin Aluminum body finishes
- Daylight harvesting and occupancy sensing to achieve maximum energy savings
- 1% - 100% dimming range

Light Levels - Measured at 3500K.

	Optics	Light Level	Lumens per foot	Wattage per foot	Efficacy (lm/W)	Distribution Curves L3
Standard	Up: Meta Blanc Down: Meta Blanc	L1	736	6.9	107	
		L2	920	8.8	104	
		L3	1252	12.1	104	
		L4	2321	25.0	93	
	Up: Meta Blanc Down: Drop Lens	L1	748	7.0	106	
		L2	936	8.9	105	
		L3	1272	12.1	105	
		L4	2359	25.0	94	
	Up: Meta Ice Down: Meta Ice	L1	852	6.9	123	
		L2	1051	8.8	119	
		L3	1404	12.1	116	
		L4	2585	24.2	107	