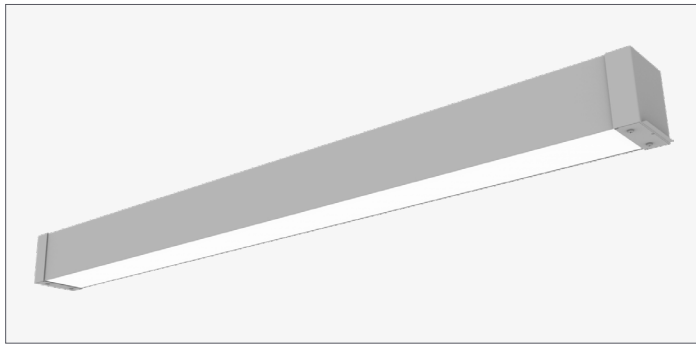


# RAIL 4 RM4DOD

OUTDOOR . LED . MULLION . DIRECT



PART #:	
PREP BY:	DATE:
PROJECT:	
NOTES:	
APPROVAL SIGNATURE:	DATE (DD/MM/YYYY):

PERFORMANCE SUMMARY @ 3500K

		Meta Blanc (MB)	Meta Ice (M)
		L3	L3
Lumens per foot	80 CRI	586	653
	90 CRI	513	571
Wattage per foot		6.1	6.1
Efficacy (lm/W)	80 CRI	97	108
	90 CRI	84	94
L70 Estimate (h)		≥ 60,000 hrs	

See page 2 for the complete Light Level Performance chart.

## FEATURES

- Efficacy up to 110 lm/W
- Suitable for outdoor, wet locations
- Standard natatorium finish
- Indirect distribution available with Inverse Mount option
- Emergency lighting

## ORDERING LOGIC

Example Part Number: RM4DOD-1L35K-8-MB-W-L31-M-1-90

1	2	3	4	5	6	7	8	9	10	11
<b>RM4DOD</b>								<b>M</b>		
<b>1. SERIES</b> RM4DOD	<b>2. COLOR TEMP</b> 1L30K 3000K 1L35K 3500K 1L40K 4000K  90 CRI is available under OPTIONS	<b>3. LENGTH</b> 2 2 ft 3 3 ft 4 4 ft 5 5 ft 6 6 ft 7 7 ft 8 8 ft 9 9 ft 10 10 ft 11 11 ft 12 12 ft RA Continuous Rows (Replace "A" with length in feet) C Custom Length* _ None (leave space empty)	<b>4. PATTERN <sup>1</sup></b> GA Square GAxB Rectangle UAxBxC U-Shape LAxB L-Shape _ None (leave space empty)  <b>Standard Pattern Minimum Lengths</b>  A = 4 ft min. A = 4 ft min. B = 4 ft min. A = 3 ft min. B = 4 ft min. C = 3 ft min. A = 3 ft min. B = 3 ft min.	<b>5. OPTICS</b> MB Meta Blanc M Meta Ice MA Meta Asymmetric P Polycarbonate  Meta Blanc: Opal diffuse lens Meta Ice: High output semi-diffuse lens Polycarbonate: Semi-diffuse	<b>6. FINISH</b> SA Satin Aluminum W White B Black C Custom Finish Specify RAL:	<b>7. LIGHT LEVEL / DRIVER</b> L1 Select Driver below. L2 See Light Level Performance chart on p2. L3 L4	<b>8. CIRCUITRY</b> 1 1 Circuit EM Emergency / Night Light (not available for 2ft) B Emergency Battery Pack <sup>2</sup> (Limited to ambient temperatures above 0°C) Emergency Battery Pack <sup>2</sup> for Cold Weather (Limited to ambient temperatures down to -20°C)	<b>9. MOUNTING</b> M Mullion Mounted	<b>10. VOLTAGE</b> 1 120 V 2 277 V 3 347 V 4 UNV (120 - 277V)	<b>11. OPTIONS</b> 90 90 CRI, High R9 IM Inverse Mount SP Surge Protection EF End Feed (Alone fixtures only) VH Vandal Resistant Hardware _ None (leave space empty)

\*Consult factory. | <sup>1</sup> Pattern record drawings showing mounting locations will be sent out upon order. | <sup>2</sup> Battery operates 4ft sections only.

### Select Driver:

- Factory option 0-10V, 1% Dimming
- LHE Lutron H-Series Hi-lume 1% EcoSystem LED Driver
- LA2 Lutron A-Series Hi-lume 1% 2-wire LED Driver
- L5E Lutron 5-Series EcoSystem LED Driver

## Light Level Performance

3500K, 80 CRI, 0-10V Dimming (Standard)

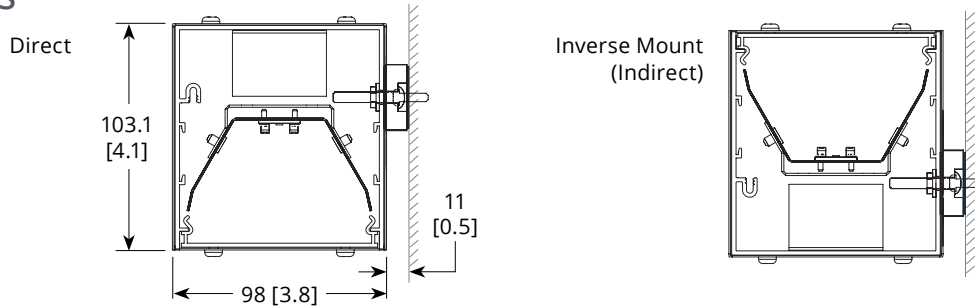
Optics	Meta Blanc (MB)			Meta Ice (M)		
	Lumens per foot	Wattage per foot	Efficacy (lm/W)	Lumens per foot	Wattage per foot	Efficacy (lm/W)
L1	345	3.5	98	384	3.5	110
L2	431	4.4	97	481	4.4	109
L3	586	6.1	97	653	6.1	108
L4	1088	12.5	87	1214	12.5	97

### Lumen Adjustment Factor

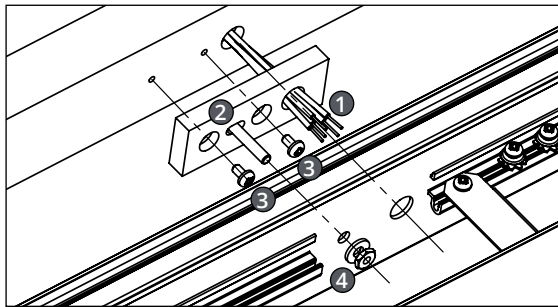
Color Temp	80 CRI	90 CRI
3000K	0.984	0.880
3500K	1.000	0.875
4000K	1.032	0.879

Metalumen's light level performance metrics are subject to manufacturers component tolerances.

## CROSS SECTIONS



## BLOCK MOUNTING DETAIL



- Step 1**  
Feed Power through the wire entry hole in the Mullion block and connect power within the Luminaire.
- Step 2**  
Insert Carriage bolt in to Mullion Block before Fastening Block to Wall.
- Step 3**  
Fasten the Mullion Block to the wall with fasteners by others.
- Step 4**  
Attach Luminaire to the Mullion block by securing the Luminaire Mount nut onto the carriage bolt inside the Luminaire.

## SPECIFICATIONS

Due to the Continuous Improvement Policy at Metalumen, we reserve the right to change our specifications without notice.

**Housing:** Rigid extruded aluminum body, 2.0mm (0.08") nominal wall thickness. Aluminum formed end caps.  
**Optical System:** Metalumen luminaires are designed to utilize leading edge LED technology combined with luminaire optimized reflectors and our custom diffusers, resulting in industry leading optical performance.  
**CRI:** 83+ for 3500K, 80 minimum for all CCTs in standard configurations.

**Lumen Maintenance:** Minimum 50,000h with TM-21 lumen maintenance of 85% @ 25°C ambient temperature (calculated based on IESNA LM-80-08 LED test data). L70: ≥ 60 000hrs.  
**Finish:** Satin aluminum, white and black are standard with a natatorium finish. For custom colors, contact factory.  
**Weight:** 2.1 kg/300mm [4.6 lb/ft]  
**Mounting:** Mullion mount bracket

provided. Inverse mounting option is suitable for exterior use with full overhead coverage similar to canopy. Not acceptable for direct sky or extreme weather conditions.  
**Drivers:** Metalumen offers dimming\* drivers as a standard on our entire LED product offering at 0-10V. Dimming range is 1%-100%. Power factor is > 90%. Class 2 rating. Drivers are integral.  
**Approvals:** All components are UL/

CSA/QPS recognized or listed. RoHS compliant. cULus listed.  
**Environment:** Suitable for wet locations -22°F / -30°C start ambient temperature. Suitable for natatorium environments.

*\*Standard drivers compatible with passive/sinking dimmers. Please contact Metalumen if active/sourcing dimmer support is required.*

## WARRANTY

Metalumen will warrant defective luminaires for 5 years from date of purchase. Warranty is valid if luminaire is installed and used according to specification. If defective, Metalumen will send replacement boards or drivers at no cost along with detailed replacement instructions and instructions on how to return defective components to Metalumen.

PHOTOMETRIC DATA - 3500K, 80 CRI

Optics: **Meta Blanc**  
 IES File: **RM4DOD-1L35K-4-MB-L3**  
 Lumens: **586/ft** Wattage: **6.1/ft**  
 Efficacy: **97 lm/W**

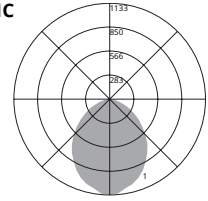
ZONAL LUMEN SUMMARY

Zone	Lumens	%Fixt
0-90	2350	100
90-180	0	0
0-180	2350	100

LUMINANCE DATA (CD/M2)

Vertical Angle	Horizontal Angle		
	0	45	90
45	5964	3188	2456
55	4975	2249	1673
65	3889	1405	1013
75	2552	693	475
85	1012	150	94

PHOTOMETRIC CURVE  
100% Down



Optics: **Meta Ice**  
 IES File: **RM4DOD-1L35K-4-M-L3**  
 Lumens: **653/ft** Wattage: **6.1/ft**  
 Efficacy: **107 lm/W**

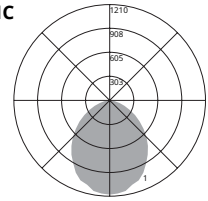
ZONAL LUMEN SUMMARY

Zone	Lumens	%Fixt
0-90	2617	100
90-180	0	0
0-180	2617	100

LUMINANCE DATA (CD/M2)

Vertical Angle	Horizontal Angle		
	0	45	90
45	6545	3620	2858
55	5509	2549	1964
65	4256	1626	1180
75	2927	784	558
85	1113	168	103

PHOTOMETRIC CURVE  
100% Down



Optics: **Meta Asymmetric**  
 IES File: **RM4DOD-1L35K-4-MA-L3**  
 Lumens: **636/ft** Wattage: **6.1/ft**  
 Efficacy: **105 lm/W**

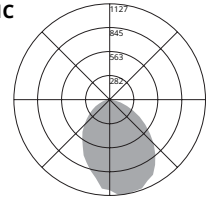
ZONAL LUMEN SUMMARY

Zone	Lumens	%Fixt
0-90	2548	100
90-180	0	0
0-180	2548	100

LUMINANCE DATA (CD/M2)

Vertical Angle	Horizontal Angle		
	0	45	90
45	3963	4546	6589
55	2777	3337	5713
65	1738	2178	4556
75	831	1084	3120
85	163	231	1266

PHOTOMETRIC CURVE  
100% Down



Photometric performance is measured and scaled in accordance with IESNA LM-79.

Photometric performance is measured and scaled in accordance with IESNA LM-79.