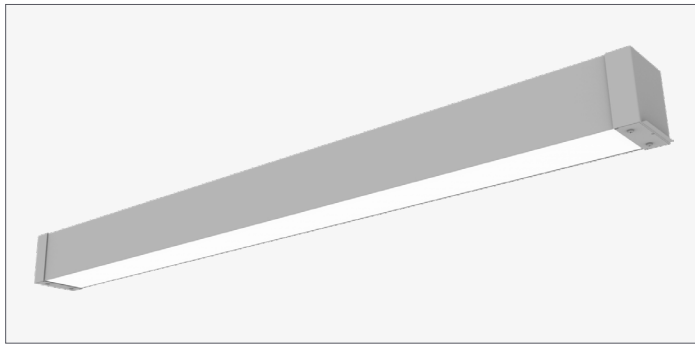


# RAIL 4 RM4DOD

OUTDOOR . LED . MULLION . DIRECT



- Efficacy up to 110 LPW
- Integral drivers
- Indirect distribution available with Inverse Mount option
- Standard natatorium finish
- Emergency lighting



PART #:		DATE:	
PREP BY:		QTY:	
PROJECT:		NOTES:	
APPROVAL SIGNATURE:		DATE (DD/MM/YYYY):	

PERFORMANCE SUMMARY @ 3500K		Meta Blanc (MB)	Meta Ice (M)	Meta Asymmetric (MA)
		L3	L3	L3
Lumens per foot	80 CRI	586	653	636
	90 CRI	513	571	557
Wattage per foot		6.1		
Efficacy	80 CRI	97	108	105
	90 CRI	84	94	91
L70 Estimate (h)		≥ 60,000 hrs		

See page 2 for the complete Light Level Performance chart.

## OTHER RAIL WET SERIES PRODUCTS



## ORDERING LOGIC

Example Part Number: RM4DOD-1L35K-8-MB-W-L31-M-1-90

RM4DOD										
1	2	3	4	5	6	7	8	9	10	11
<b>1. SERIES</b> <b>RM4DOD</b>	<b>2. COLOR TEMP</b> <b>1L30K</b> 3000K <b>1L35K</b> 3500K <b>1L40K</b> 4000K  90 CRI is available under OPTIONS	<b>3. LENGTH</b> <b>2</b> 2 ft <b>3</b> 3 ft <b>4</b> 4 ft <b>5</b> 5 ft <b>6</b> 6 ft <b>7</b> 7 ft <b>8</b> 8 ft <b>9</b> 9 ft <b>10</b> 10 ft <b>11</b> 11 ft <b>12</b> 12 ft <b>RA</b> Continuous Rows (Replace "A" with length in feet) <b>C</b> Custom Length* _ None (leave space empty)	<b>4. PATTERN <sup>1</sup></b> <b>GA</b> Square <b>GAxB</b> Rectangle <b>UAxBxC</b> U-Shape <b>LAxB</b> L-Shape _ None (leave space empty)  <b>Standard Pattern Minimum Lengths</b> 	<b>5. OPTICS</b> <b>MB</b> Meta Blanc <b>M</b> Meta Ice <b>MA</b> Meta Asymmetric <b>PC</b> Polycarbonate  <b>Meta Blanc:</b> Opal diffuse lens <b>Meta Ice &amp; Meta Asymmetric:</b> High output semi-diffuse lens <b>Polycarbonate:</b> Semi-diffuse	<b>6. FINISH</b> <b>SA</b> Satin Aluminum <b>W</b> White <b>B</b> Black <b>C</b> Custom Finish (Specify RAL)	<b>7. LIGHT LEVEL / DRIVER</b> <b>L1</b> Select Driver below. <b>L2</b> See Light Level Performance chart on p2. <b>L3</b> <b>L4</b> <b>LX</b> Enter desired lm/ft:	<b>8. CIRCUITRY</b> <b>1</b> 1 Circuit <b>EM</b> Emergency / Night Light (not available for 2ft) <b>B</b> Emergency Battery Pack <sup>2</sup> (Limited to ambient temperatures above 0°C) <b>BC</b> Emergency Battery Pack <sup>2</sup> for Cold Weather (Limited to ambient temperatures down to -20°C)	<b>9. MOUNTING</b> <b>M</b> Mullion Mounted	<b>10. VOLTAGE</b> <b>1</b> 120 V <b>2</b> 277 V <b>3</b> 347 V <b>4</b> UNV (120 - 277V)	<b>11. OPTIONS</b> <b>90</b> 90 CRI, High R9 <b>IM</b> Inverse Mount (Select application: <input type="checkbox"/> Indoor <input type="checkbox"/> Outdoor (Polycarbonate lens only)) <b>SP</b> Surge Protection <b>EF</b> End Feed (Alone fixtures only) <b>VH</b> Vandal Resistant Hardware _ None (leave space empty)

\*Consult factory. | <sup>1</sup> Pattern record drawings showing mounting locations will be sent out upon order. | <sup>2</sup> Battery operates 4ft sections only.

- Select Driver:
- Factory option 0-10V, 1% Dimming
  - LHE** Lutron H-Series Hi-Lume 1% EcoSystem LED Driver
  - LA2** Lutron A-Series Hi-Lume 1% 2-wire LED Driver
  - LSE** Lutron 5-Series EcoSystem LED Driver

### Light Level Performance

3500K, 80 CRI, 0-10V Dimming (Standard)

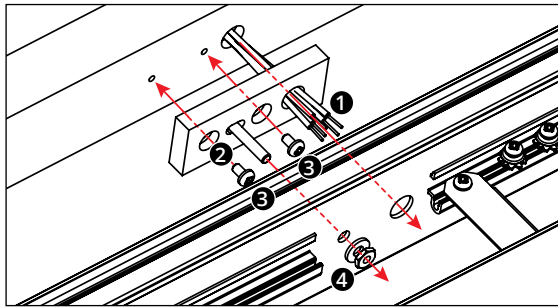
Optics	Meta Blanc (MB)			Meta Ice (M)			Meta Asymmetric (MA)			Polycarbonate (PC)		
	Lumens per foot	Wattage per foot	Efficacy (lm/W)	Lumens per foot	Wattage per foot	Efficacy (lm/W)	Lumens per foot	Wattage per foot	Efficacy (lm/W)	Lumens per foot	Wattage per foot	Efficacy (lm/W)
L1	345	3.5	98	384	3.5	109	374	3.5	106	Consult factory		
L2	431	4.4	97	481	4.4	108	469	4.4	105			
L3	586	6.0	97	653	6.1	107	636	6.1	105			
L4	1088	12.5	87	1214	12.5	97	1183	12.5	94			

### Lumen Adjustment Factor

Color Temp	80 CRI	90 CRI
3000K	0.984	0.880
3500K	1.000	0.875
4000K	1.032	0.879

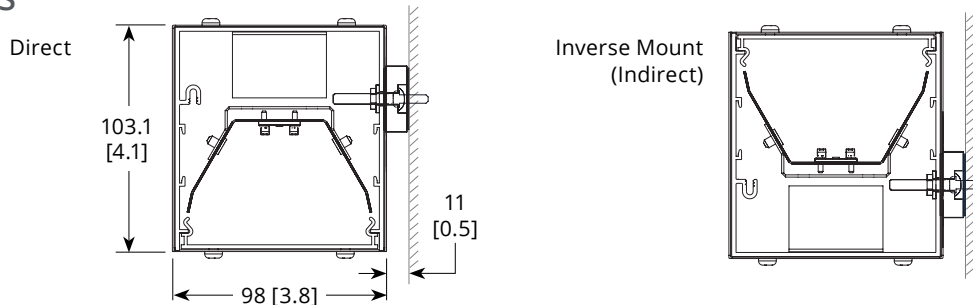
Metalumen's light level performance metrics are subject to manufacturers component tolerances.

### BLOCK MOUNTING DETAIL



- Step 1**  
Feed Power through the wire entry hole in the Mullion block and connect power within the Luminaire.
- Step 2**  
Insert Carriage bolt in to Mullion Block before Fastening Block to Wall.
- Step 3**  
Fasten the Mullion Block to the wall with fasteners by others.
- Step 4**  
Attach Luminaire to the Mullion block by securing the Luminaire Mount nut onto the carriage bolt inside the Luminaire.

### CROSS SECTIONS



### SPECIFICATIONS

Due to the Continuous Improvement Policy at Metalumen, we reserve the right to change our specifications without notice.

**Housing:** Rigid extruded aluminum body, 2.0mm (0.08") nominal wall thickness. Aluminum formed end caps.  
**Optical System:** Metalumen luminaires are designed to utilize leading edge LED technology combined with luminaire optimized reflectors and our custom diffusers, resulting in industry leading optical performance.  
**CRI:** 83+ for 3500K, 80 minimum for all CCTs in standard configurations.

**Lumen Maintenance:** Minimum 50,000h with TM-21 lumen maintenance of 85% @ 25°C ambient temperature (calculated based on IESNA LM-80-08 LED test data). L70: ≥ 60 000hrs.  
**Finish:** Satin aluminum, white and black are standard with a natatorium finish. For custom colors, contact factory.  
**Weight:** 2.1 kg/300mm [ 4.6 lb/ft ]  
**Mounting:** Mullion mount bracket

provided. Inverse mounting option is suitable for exterior use with full overhead coverage similar to canopy. Not acceptable for direct sky or extreme weather conditions.  
**Drivers:** Metalumen offers 0-10V dimming\* as a standard on our entire LED product offering. Dimming range is 1%-100%. Power factor is > 90%. Class 2 rating. Drivers are integral.  
**Approvals:** All components are UL/CSA/QPS recognized or listed. RoHS

compliant. cULus listed.  
**Environment:** Suitable for wet locations -22°F / -30°C start ambient temperature. Suitable for natatorium environments.  
*\*Standard drivers compatible with passive/sinking dimmers. Please contact Metalumen if active/sourcing dimmer support is required.*

### WARRANTY

Metalumen will warrant defective luminaires for 5 years from date of purchase. Warranty is valid if luminaire is installed and used according to specification. If defective, Metalumen will send replacement boards or drivers at no cost along with detailed replacement instructions and instructions on how to return defective components to Metalumen.

PHOTOMETRIC DATA - 3500K, 80 CRI

Optics: **Meta Blanc**  
 IES File: **RM4DOD-1L35K-4-MB-L3**  
 Lumens: **586/ft** Wattage: **6.1/ft**  
 Efficacy: **97 LPW**

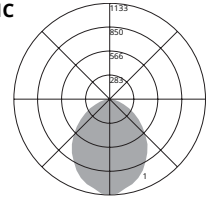
ZONAL LUMEN SUMMARY

Zone	Lumens	%Fixt
0-90	2350	100
90-180	0	0
0-180	2350	100

LUMINANCE DATA (CD/M2)

Vertical Angle	Horizontal Angle		
	0	45	90
45	5964	3188	2456
55	4975	2249	1673
65	3889	1405	1013
75	2552	693	475
85	1012	150	94

PHOTOMETRIC CURVE  
100% Down



Optics: **Meta Ice**  
 IES File: **RM4DOD-1L35K-4-M-L3**  
 Lumens: **653/ft** Wattage: **6.1/ft**  
 Efficacy: **107 LPW**

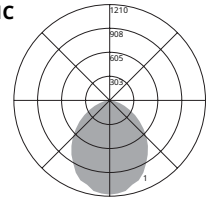
ZONAL LUMEN SUMMARY

Zone	Lumens	%Fixt
0-90	2617	100
90-180	0	0
0-180	2617	100

LUMINANCE DATA (CD/M2)

Vertical Angle	Horizontal Angle		
	0	45	90
45	6545	3620	2858
55	5509	2549	1964
65	4256	1626	1180
75	2927	784	558
85	1113	168	103

PHOTOMETRIC CURVE  
100% Down



Optics: **Meta Asymmetric**  
 IES File: **RM4DOD-1L35K-4-MA-L3**  
 Lumens: **636/ft** Wattage: **6.1/ft**  
 Efficacy: **105 LPW**

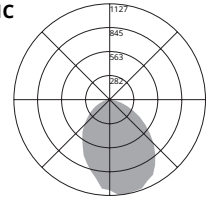
ZONAL LUMEN SUMMARY

Zone	Lumens	%Fixt
0-90	2548	100
90-180	0	0
0-180	2548	100

LUMINANCE DATA (CD/M2)

Vertical Angle	Horizontal Angle		
	0	45	90
45	3963	4546	6589
55	2777	3337	5713
65	1738	2178	4556
75	831	1084	3120
85	163	231	1266

PHOTOMETRIC CURVE  
100% Down



Photometric performance is measured and scaled in accordance with IESNA LM-79.