

GENERAL INSTRUCTIONS

READ ALL INSTRUCTIONS PRIOR TO INSTALLING FIXTURES.
 Keep protective film/plastic on fixtures during installation to protect surface from damage or dirt.

STEP BY STEP INSTRUCTIONS

1. Install the WALL MOUNTING PLATE on wall with blocking to support fixture. (see FIG. 1). WALL MOUNTING PLATE MUST BE INSTALLED STRAIGHT AND LEVEL.
2. Hang the fixture by the bottom hook and rotate up to allow the mounting stud to pass through the fixture and install washer and lock-nut. Snug up the nut to hold the fixture to the wall but still allow some vertical movement for the operation of the bed safety switch.

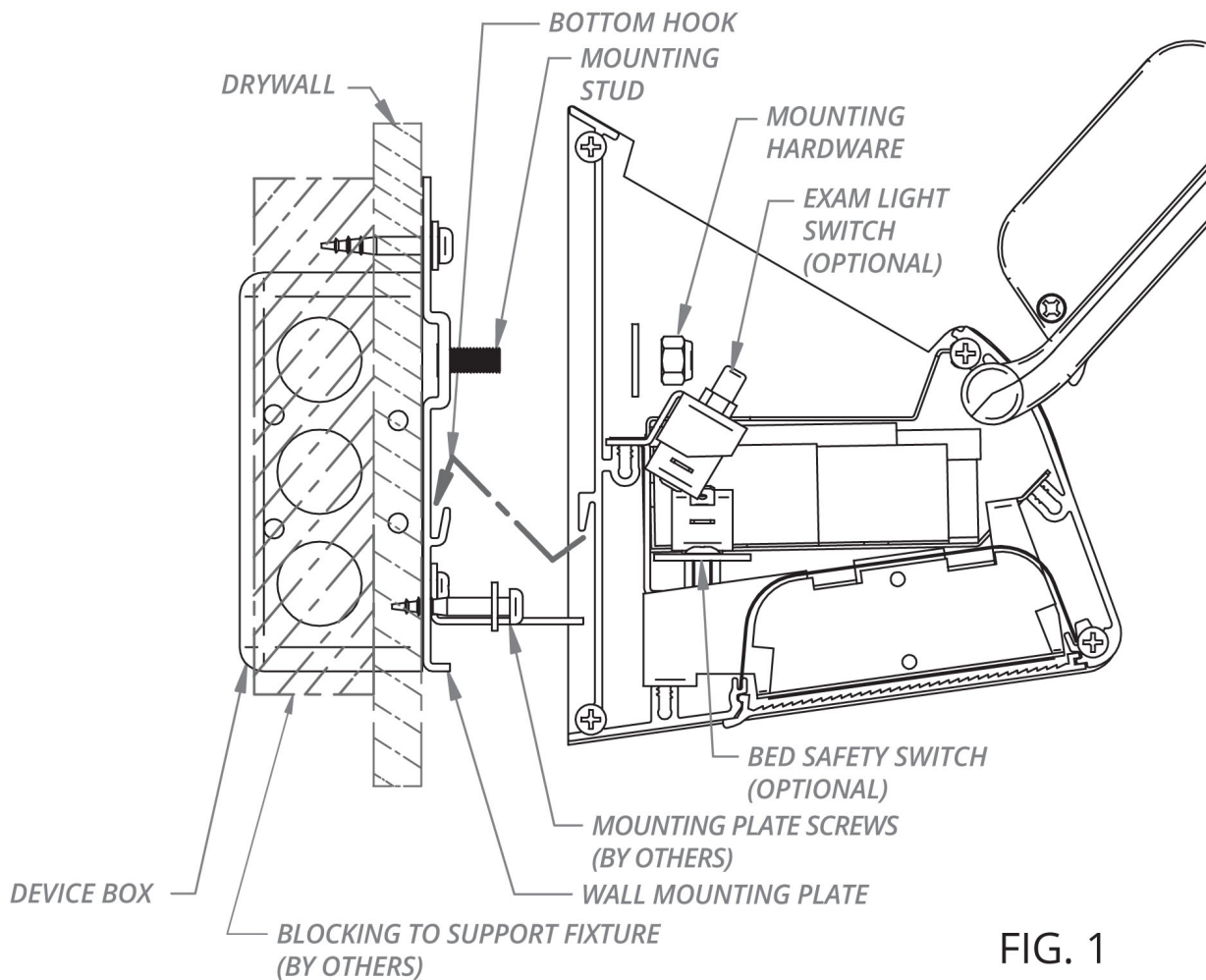


FIG. 1

STEP BY STEP INSTRUCTIONS CONT'D

4. Remove driver cover plate to access wiring from device box and make all electrical supply connections. (see FIG. 3).
5. Replace driver cover.

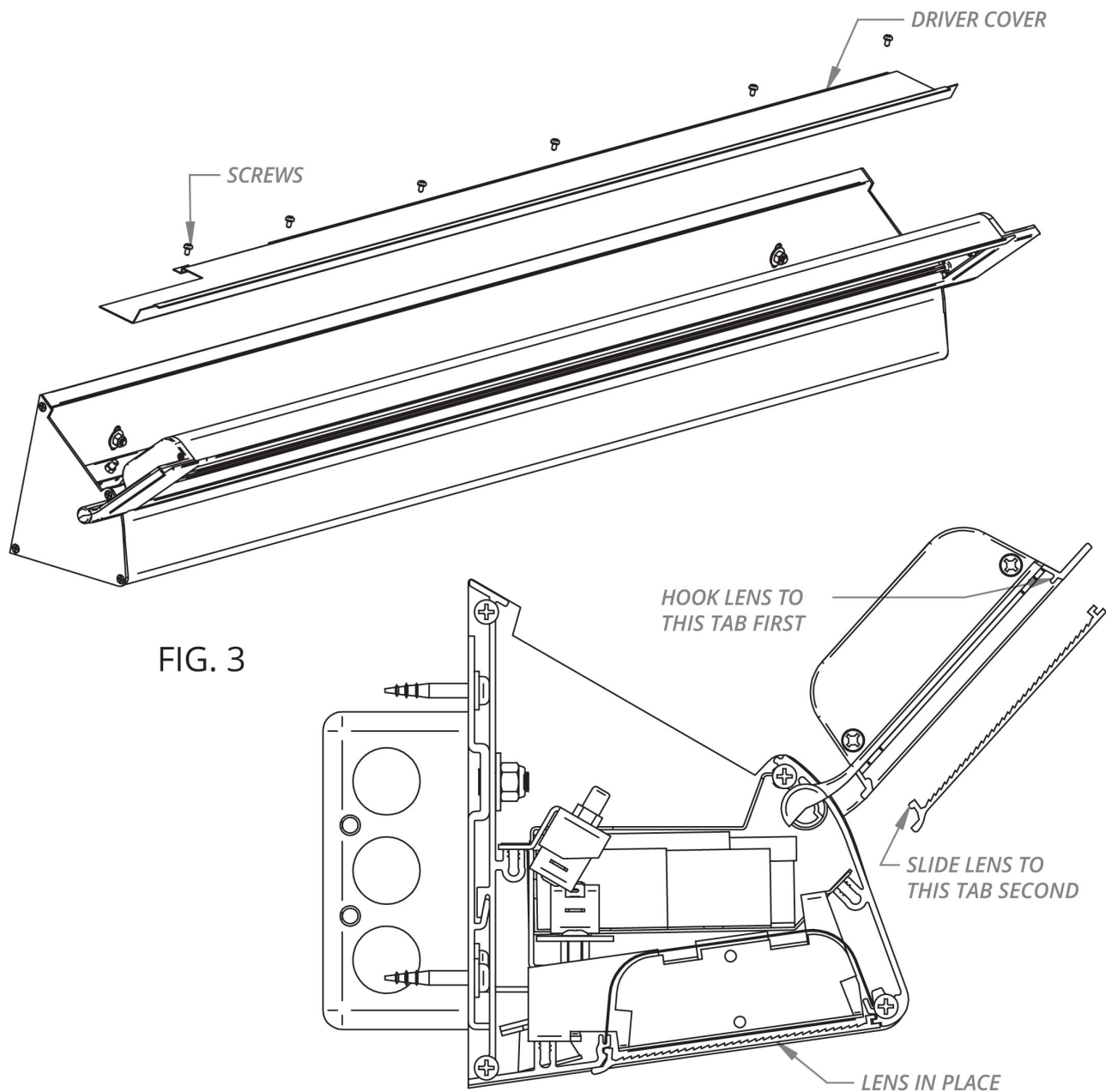


FIG. 3