

NOTE: The following instructions provide general guidelines for product installation. For additional information consult the applicable electrical codes or contact factory directly for support before attempting anything with uncertainty.

CAUTION: Do not assemble fixture runs on floor.

WARNING: Risk of fire and electrical shock. **DISCONNECT POWER AT ELECTRICAL PANEL** before installing or servicing this product.

GENERAL SAFETY INSTRUCTIONS:

1. Read all instructions prior to installing this fixture.
2. This product must be installed in accordance with the applicable installation code by a person familiar with the construction and operation of the product and the hazards involved.
3. All wiring must be performed by a qualified electrician in accordance with national and local building and electrical codes.
4. This fixture must be suitably grounded for your protection against shock hazards and to assure proper operation.
5. Make sure that the power source conforms to the requirements of this fixture.

Specifications and design subject to change without notice.

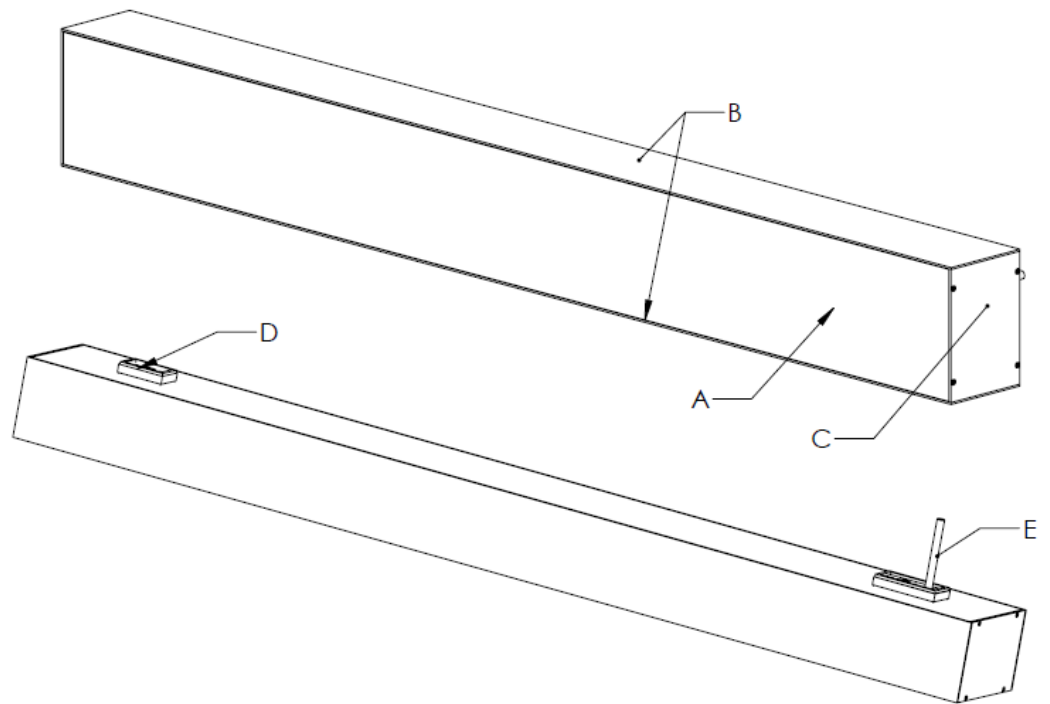
PARTS LIST

MAIN PARTS

- A. Luminaire Enclosure
- B. Lenses (direct/indirect)
- C. End Cap
- D. Mullion Mounting Blocks
- E. Power Cord

OTHER PARTS

- Reflector/LED board assembly
- Driver and Driver Enclosure assembly



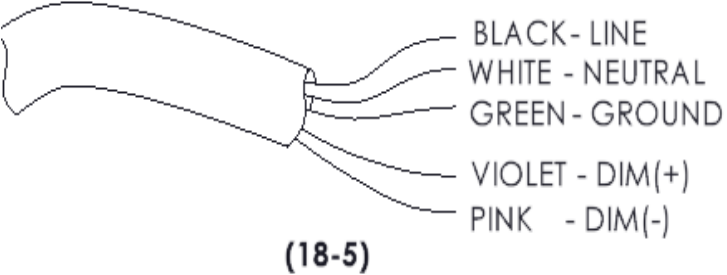
Specifications and design subject to change without notice.

REQUIRED TOOLS

DRILL	#8 PHILLIPS BIT	#8 PHILLIPS SCREWDRIVER	WRENCH
			

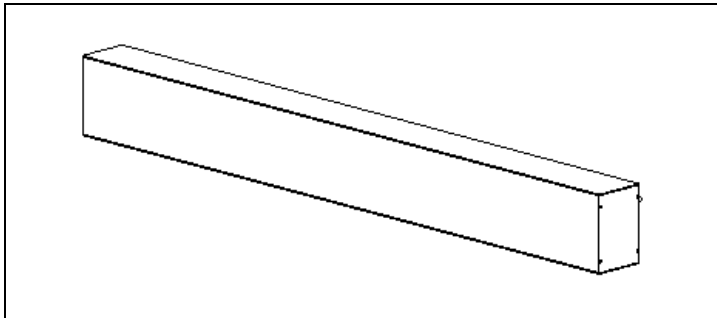
Important: Use clean gloves to avoid adding oil/dirt to optics surface. Avoid scratching optics by using installation tools with soft plastic rounded edges

WIRING DIAGRAMS

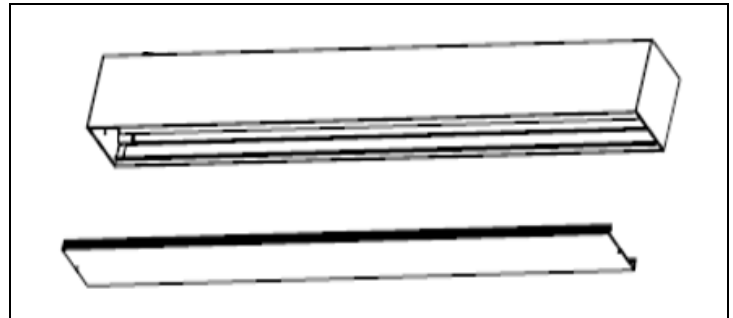
STANDARD WIRING	
 <p>(18-5)</p>	

Specifications and design subject to change without notice.

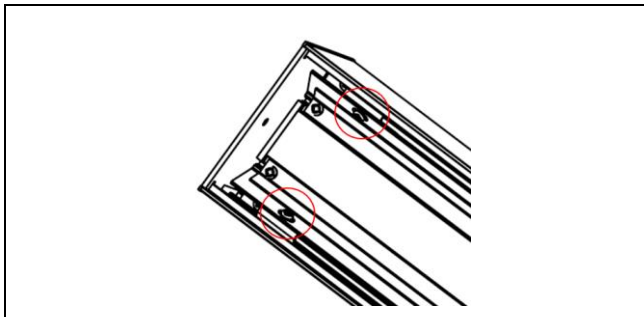
STEP-BY-STEP INSTRUCTIONS



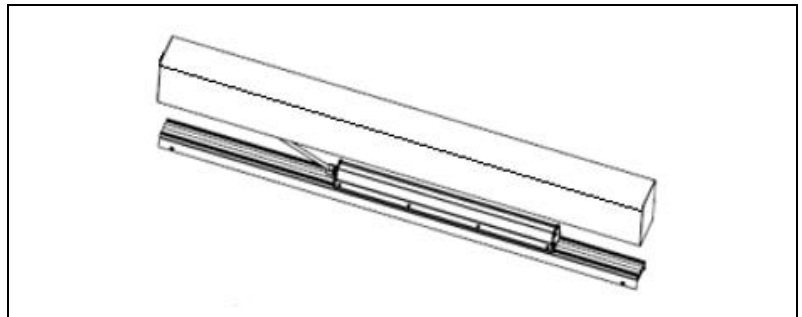
STEP 1. Remove fixture packaging.



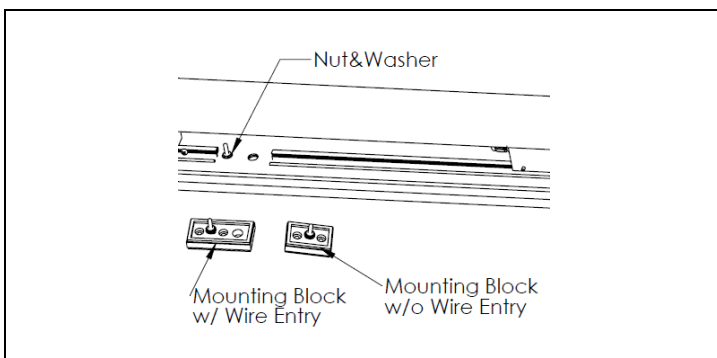
STEP 2. Remove the lens from the fixture.



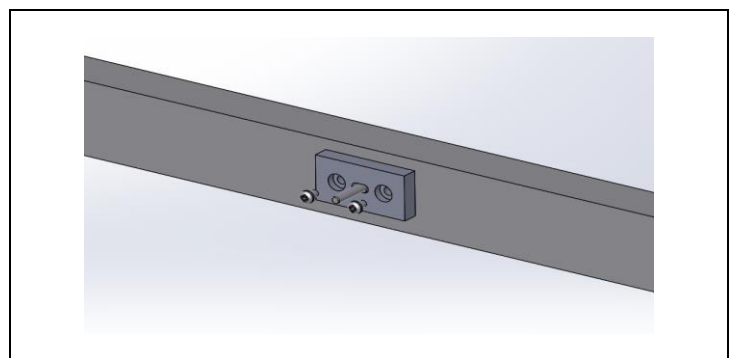
STEP 3. Unscrew the reflector assembly.



STEP 4. Lower the reflector / driver enclosure assembly.

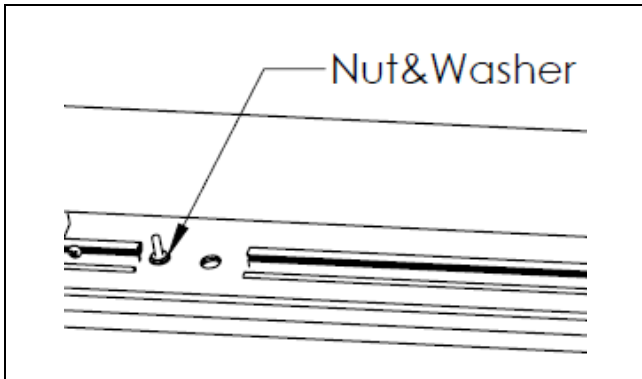


STEP 5. Remove Nuts and Washers from the Mullion Mounting Blocks. Remove the blocks from fixture.

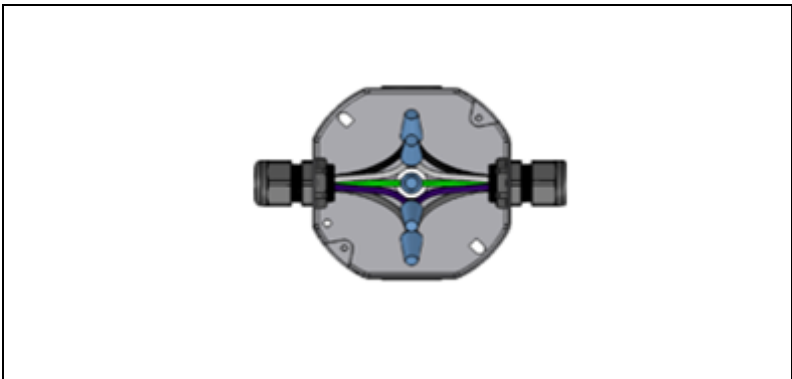


STEP 6. Using the Block as a template, drill holes (3.18mm) on mullion (also drill 12.7mm hole for wire entry location). Make sure the Block mounting center distance match the holes on the fixture. Attach the carriage bolt at the back of block then mount the block (with carriage bolt) to the mullion using 2x#8 Self-tapping screws (by others).

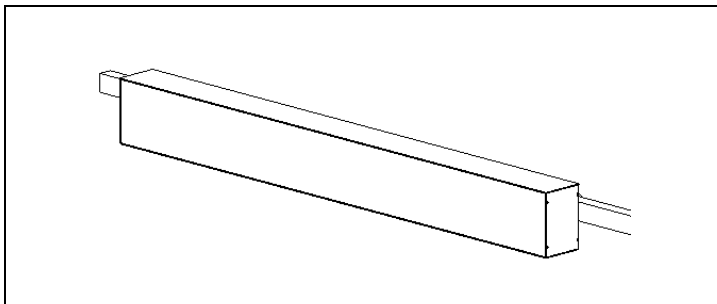
Specifications and design subject to change without notice.



STEP 7. Pass the power cord thru the hole and then thru the mullion to junction box (skip this for END FEED option). Attach the fixture to the carriage bolts. Secure with the washers and nuts. Reinstall reflector / driver enclosure assembly and lens.



STEP 8. Wire fixture using waterproof wire nuts inside junction box (connector/nuts/junction box supplied by others). Refer to provided wiring diagram.



STEP 5. Reinstall the lens to fixture to finish the installation. A sample of installed luminaire.

Specifications and design subject to change without notice.

MAINTENANCE STEPS

Required Tools:

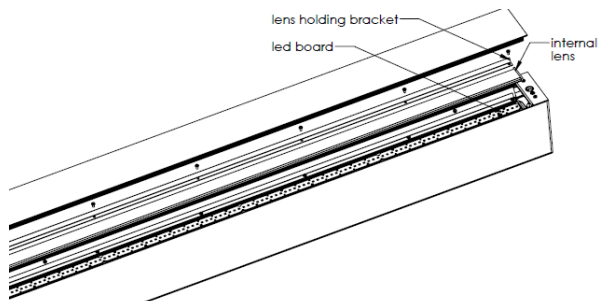


PLASTIC / LATEX GLOVES

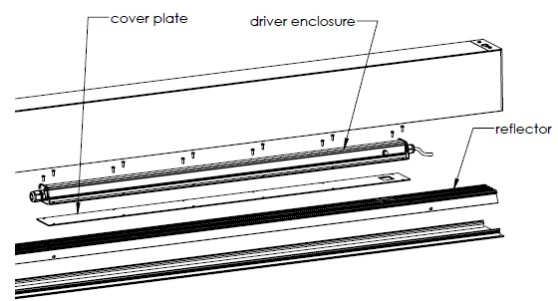


SCREWDRIVER

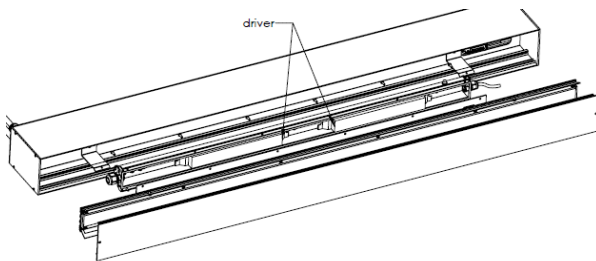
Important: Use clean gloves to avoid adding oil/dirt to reflector surface. Avoid scratching reflector surface by using installation tools with soft plastic rounded edges.



Step 1: For LED board maintenance, remove direct or indirect lens from the unit. Remove the screws and internal lens holding brackets and then remove the internal lens. Remove the screws and disconnect wires for LED board. Replace LED board and reinstall the screws and wires back. Reinstall internal lens and lens holding brackets and screws. Snap in the external lens back.



Step 2: For driver maintenance, first remove the direct lens, then remove the reflector and driver enclosure assembly. Unscrew driver enclosure screws and separate driver enclosure, cover plate from the reflector.



Step 3: Remove and service driver as required. Be sure to wire correctly (both power and dimming, and the wires to LED boards). Reinstall cover plate, driver enclosure to reflector assembly, ensure all wires are inside of the driver enclosure. Reinstall the reflector and driver enclosure assembly to fixture. Reinstall direct lens.

Specifications and design subject to change without notice.