

**NOTE:** The following instructions provide general guidelines for product installation. For additional information consult the applicable electrical codes or contact factory directly for support before attempting anything with uncertainty.

**CAUTION:** Do not assemble fixture runs on floor.

**WARNING:** Risk of fire and electrical shock. **DISCONNECT POWER AT ELECTRICAL PANEL** before installing or servicing this product.

### GENERAL SAFETY INSTRUCTIONS:

1. Read all instructions prior to installing this fixture.
2. This product must be installed in accordance with the applicable installation code by a person familiar with the construction and operation of the product and the hazards involved.
3. All wiring must be performed by a qualified electrician in accordance with national and local building and electrical codes.
4. This fixture must be suitably grounded for your protection against shock hazards and to assure proper operation.
5. Make sure that the power source conforms to the requirements of this fixture.

Specifications and design subject to change without notice.

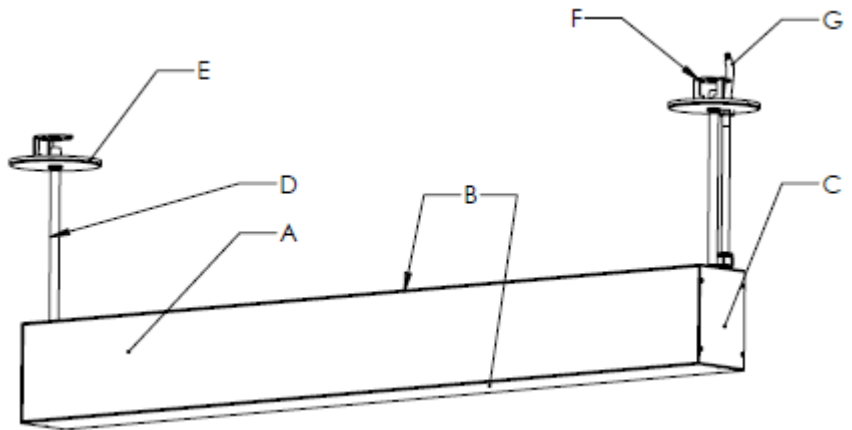
PARTS LIST

**MAIN PARTS**

- A. Luminaire Enclosure
- B. Lenses (direct/indirect)
- C. End Cap
- D. Solid Stem Hanger
- E. Canopy
- F. Hanger Bracket
- G. Power Cord

**OTHER PARTS**

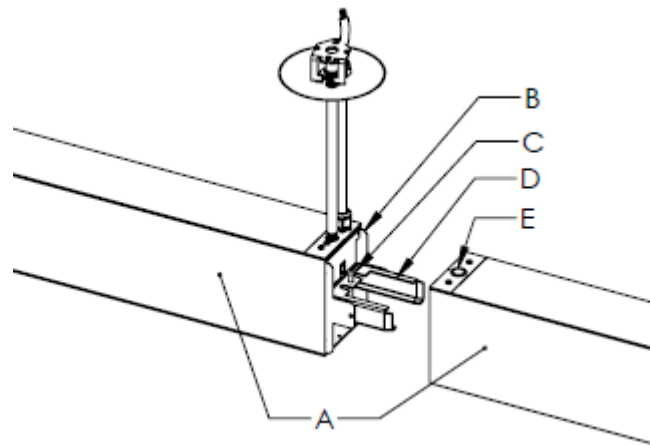
- Reflector/LED board assembly
- Driver Mounting assembly






PARTS LIST

**JOINER**


- A. Luminaire Enclosure
- B. Aligner Brackets
- C. Machine Screw
- D. Joiner Bracket
- E. CAP



Specifications and design subject to change without notice.

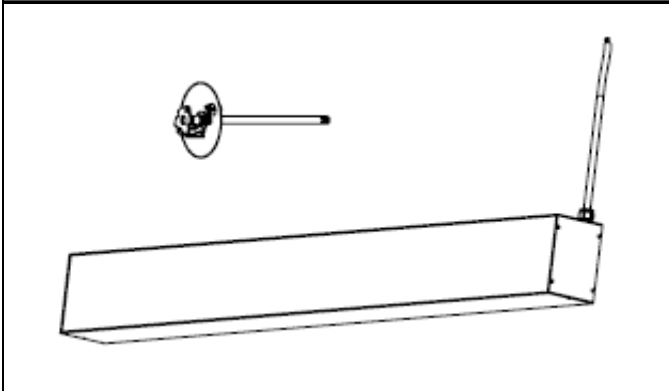
<b>DRILL</b>	<b>PHILLIPS BIT</b>	<b>PHILLIPS SCREWDRIVER</b>
		

**WIRING DIAGRAMS**

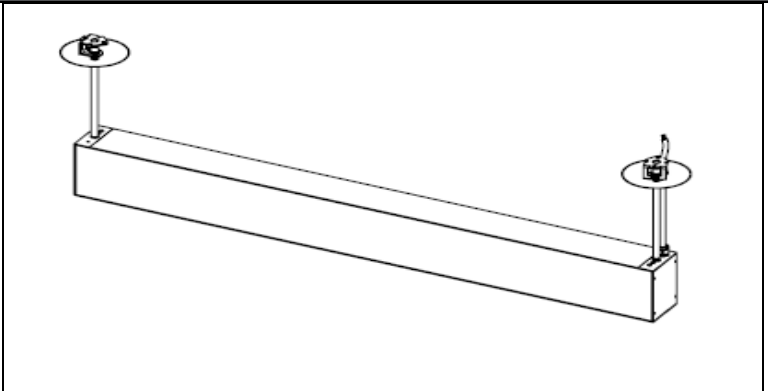
<b>WIRING</b>	
 <p>             BLACK - LINE              WHITE - NEUTRAL              GREEN - GROUND              RED - CAPPED OFF              VIOLET - DIM(+)              PINK - DIM(-)         </p>	

Specifications and design subject to change without notice.

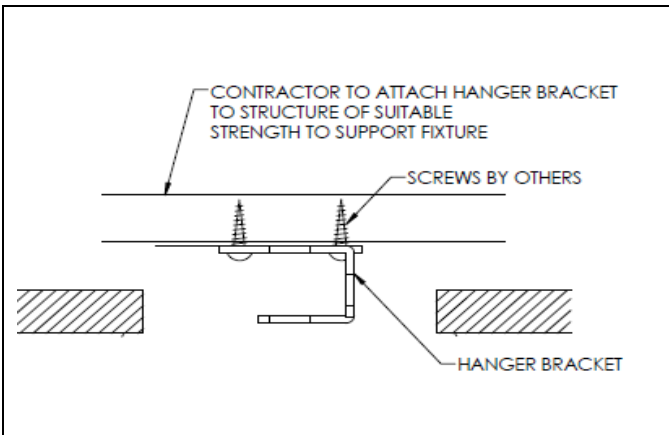
STEP-BY-STEP INSTRUCTIONS



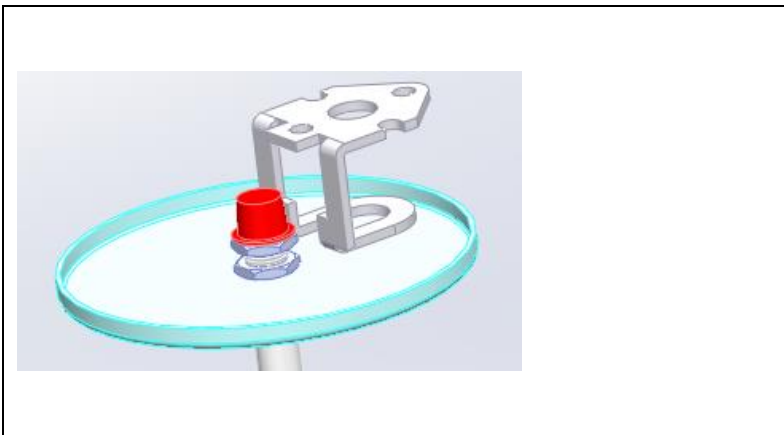
**STEP 1.** Remove fixture and solid stem kits packaging, note marked supply power cord coming out at the top of the luminaire.



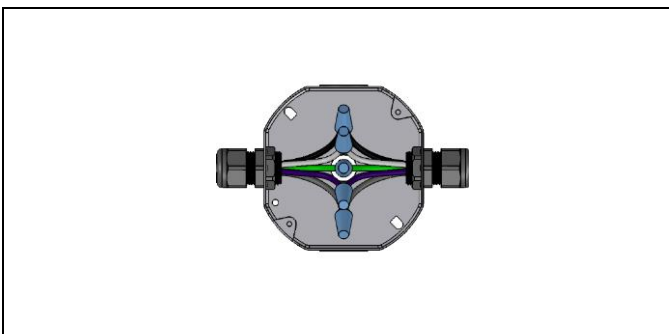
**STEP 2.** Attach stems to threaded holes at the top of the luminaire enclosure – one at each end, install power cord to the connector in the canopy.



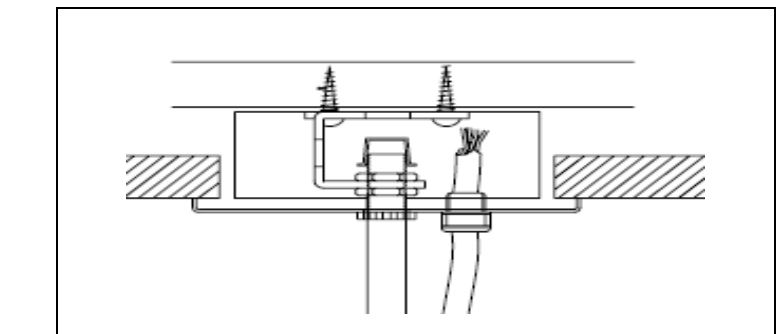
**STEP 3.** Remove hanger brackets from stem and attach to proper structure.



**STEP 4.** Attach both stems to hanger brackets.



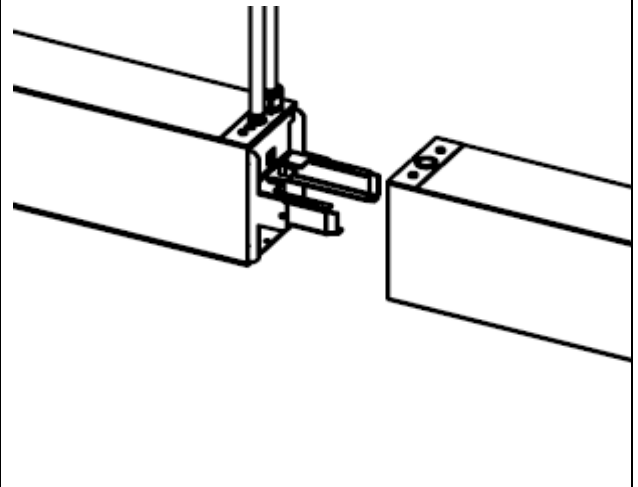
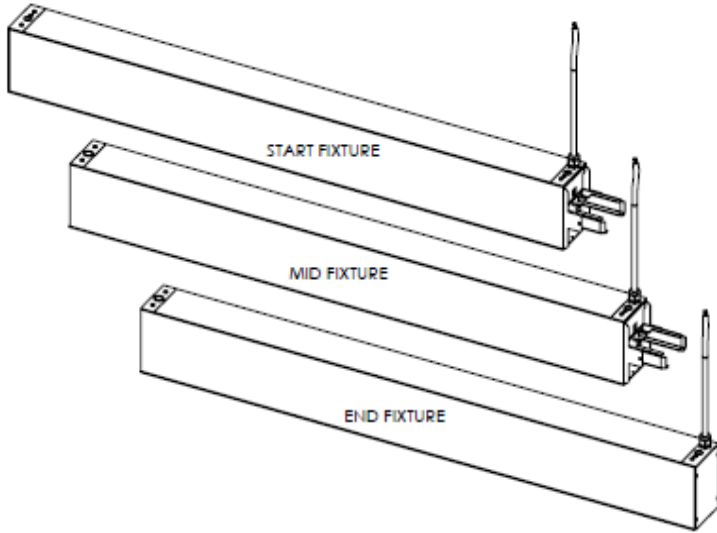
**STEP 5.** Wire fixture using waterproof wire nuts inside junction box (connector/nuts/junction box supplied by others). Refer to provided wiring diagram



**STEP 6.** Adjust hex nuts and stems as needed to level fixture. Adjust and lock canopy in place by tightening the set screw in the slip ring under canopy.

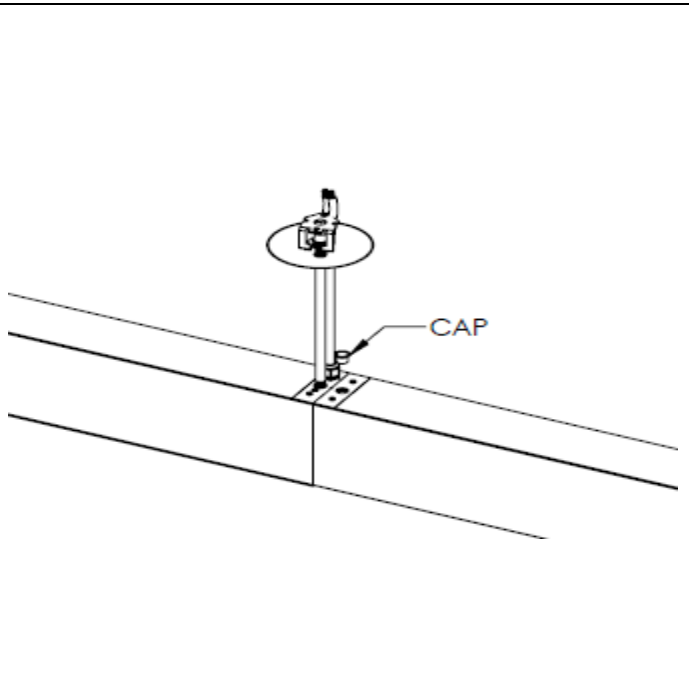
Specifications and design subject to change without notice.

JOINING INSTRUCTIONS

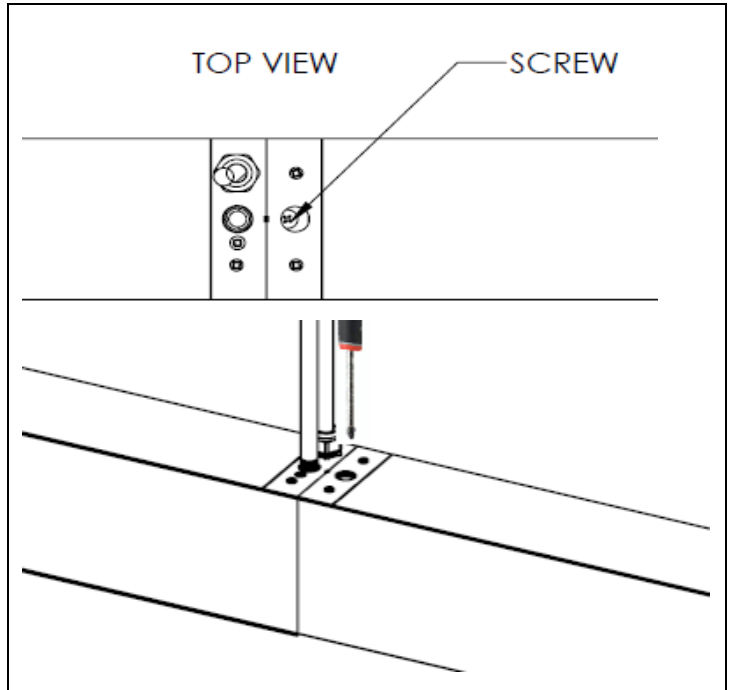


**STEP 1.** Remove fixture packaging. Install Start fixture first (as per instructions steps 1-6).  
**Do not apply power.**

**STEP 2.** Install joining fixture (as per instructions steps 1-6, 1 stem hanger only). Align the joining fixture to the joint, slide it into place over the joiner / aligner bracket.

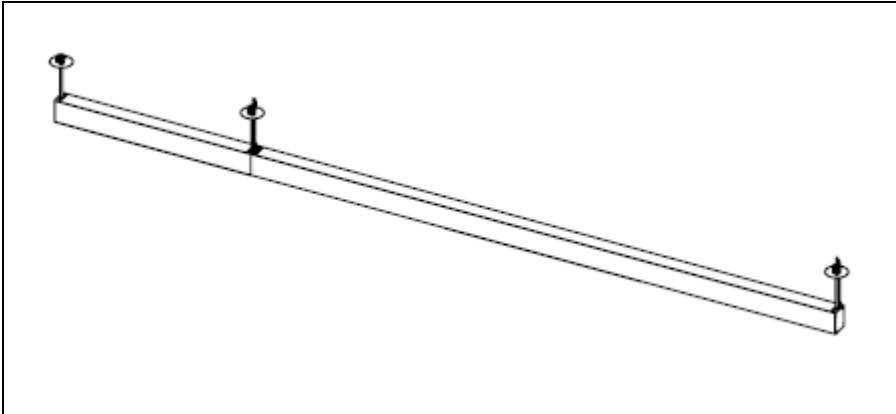


**STEP 3.** Remove the cap from the joining fixture.



**STEP 4.** Use a Philips driver to tighten the screw as shown. Ensure minimum gap is applied between the 2 fixtures. Plug in the cap when done.

Specifications and design subject to change without notice.



**STEP 5.** Repeat steps 2-4 to join additional fixtures within a run if required. Example of a completed run.

Specifications and design subject to change without notice.

**MAINTENANCE STEPS**

**Required Tools:**

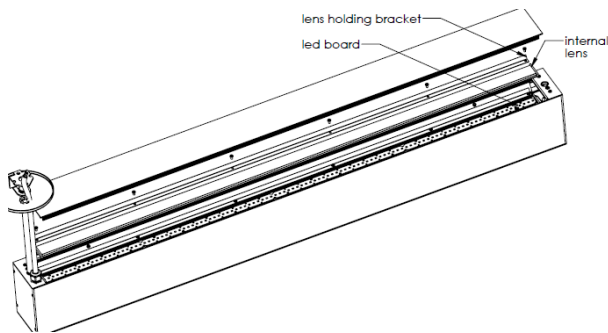


PLASTIC / LATEX GLOVES

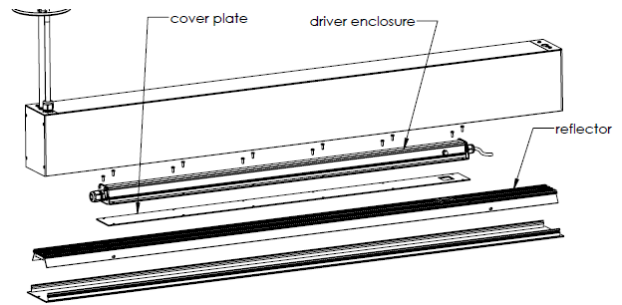


SCREWDRIVER

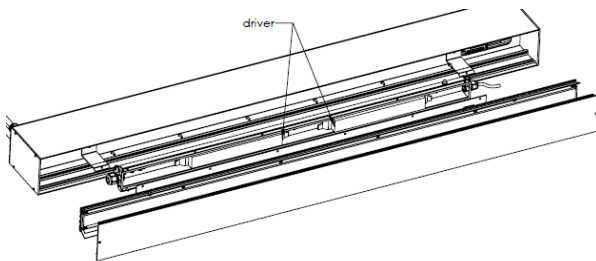
*Important: Use clean gloves to avoid adding oil/dirt to reflector surface. Avoid scratching reflector surface by using installation tools with soft plastic rounded edges.*



**Step 1:** For LED board maintenance, remove direct or indirect lens from the unit. Remove the screws and internal lens holding brackets and then remove the internal lens. Remove the screws and disconnect wires for LED board. Replace LED board and reinstall the screws and wires back. Reinstall internal lens and lens holding brackets and screws. Snap in the external lens back.



**Step 2:** For driver maintenance, first remove the direct lens, then remove the reflector and driver enclosure assembly. Unscrew driver enclosure screws and separate driver enclosure, cover plate from the reflector.



**Step 3:** Remove and service driver as required. Be sure to wire correctly (both power and dimming, and the wires to LED boards). Reinstall cover plate, driver enclosure to reflector assembly, ensure all wires are inside of the driver enclosure. Reinstall the reflector and driver enclosure assembly to fixture. Reinstall direct lens.

Specifications and design subject to change without notice.