

NOTE: The following instructions provide general guidelines for product installation. For additional information consult the applicable electrical codes or contact factory directly for support before attempting anything with uncertainty.

CAUTION: Do not assemble fixture runs on floor.

WARNING: Risk of fire and electrical shock. **DISCONNECT POWER AT ELECTRICAL PANEL** before installing or servicing this product.

GENERAL SAFETY INSTRUCTIONS:

1. Read all instructions prior to installing this fixture.
2. This product must be installed in accordance with the applicable installation code by a person familiar with the construction and operation of the product and the hazards involved.
3. All wiring must be performed by a qualified electrician in accordance with national and local building and electrical codes.
4. This fixture must be suitably grounded for your protection against shock hazards and to assure proper operation.
5. Make sure that the power source conforms to the requirements of this fixture.

Specifications and design subject to change without notice.

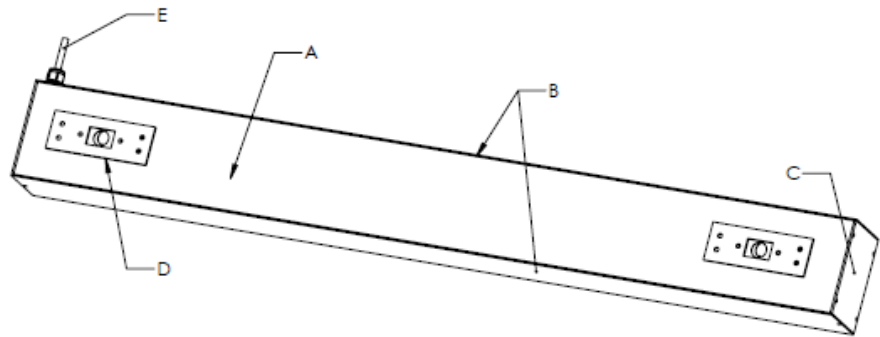
PARTS LIST




MAIN PARTS

- A. Luminaire Enclosure
- B. Lenses (direct/indirect)
- C. End Cap
- D. WALL BRACKET
- E. Power Cord


OTHER PARTS

- Reflector/LED board assembly
- Driver Mounting assembly



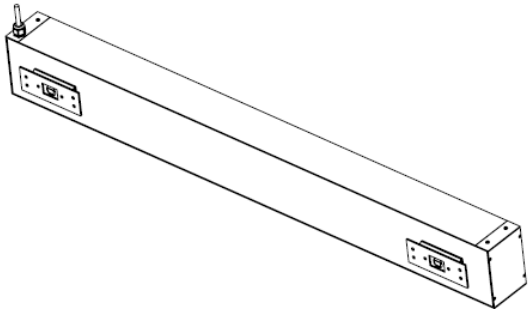
DRILL	PHILLIPS BIT	PHILLIPS SCREWDRIVER
		
<p>Important: Use clean gloves to avoid adding oil/dirt to optics surface. Avoid scratching optics by using installation tools with soft plastic rounded edges</p>		

WIRING DIAGRAMS

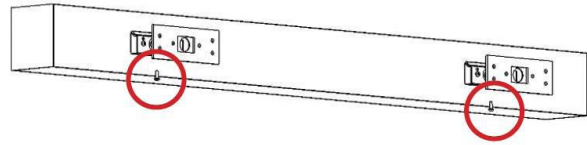
WIRING	
	<ul style="list-style-type: none"> BLACK - LINE WHITE - NEUTRAL GREEN - GROUND RED - CAPPED OFF VIOLET - DIM(+) PINK - DIM(-)

Specifications and design subject to change without notice.

STEP-BY-STEP INSTRUCTIONS



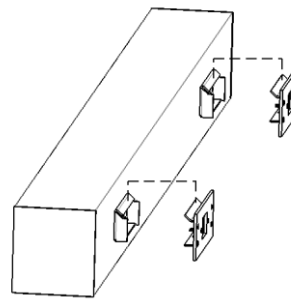
STEP 1. Remove fixture packaging; note marked supply power cord coming out at the top of the luminaire.



STEP 2. Remove the locking screws from each of the (2) wall brackets. Detach the wall mount plates from the luminaire enclosure. Use mounting plate and mounting location diagram to mark location of mounting fasteners (by others).

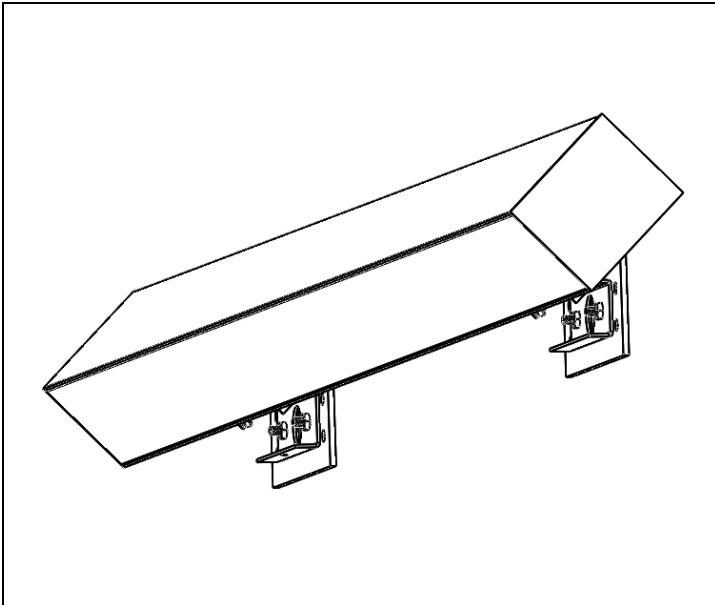


STEP 3. Install both wall mounting plates using (4) fasteners for each plate, making sure the two plates are installed at the same horizontal level.

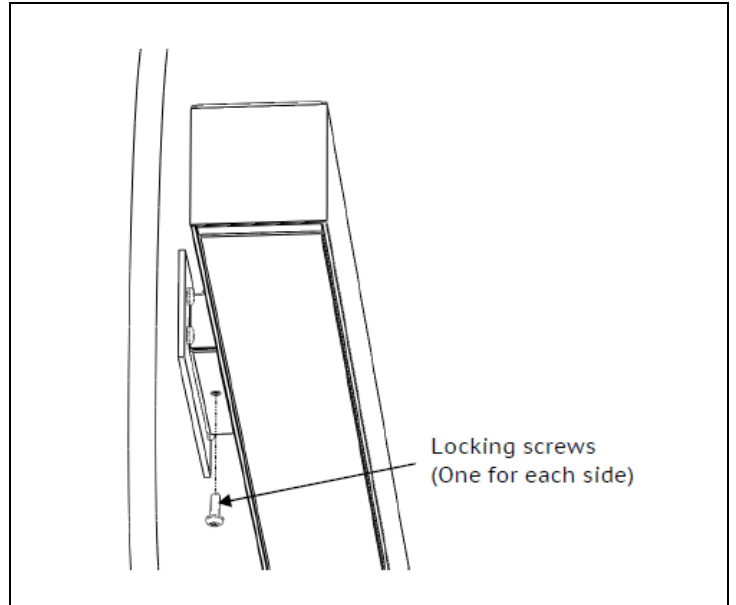


STEP 4. Attach luminaire to wall plates.

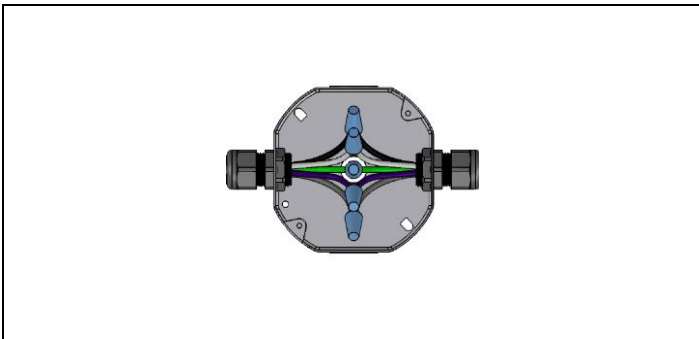
Specifications and design subject to change without notice.



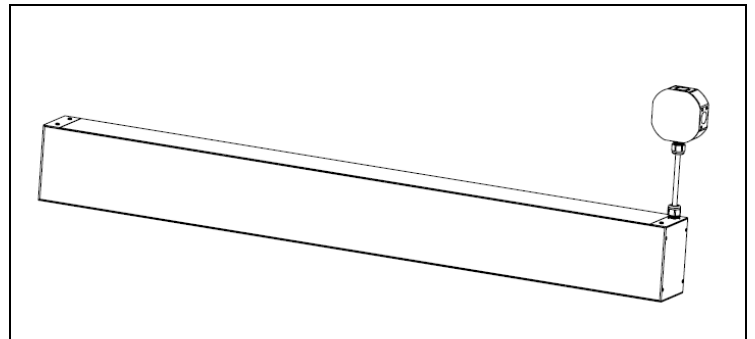
STEP 5. Attached the luminaire to the wall plates and rotate about 45 degrees and then rotate back so it is sat on the plates.



STEP 6. Lock fixture to wall brackets by re-attaching locking screws.



STEP 5. Wire fixture using waterproof wire nuts inside junction box (connector/nuts/junction box supplied by others). Refer to provided wiring diagram



STEP 6. A sample of installed luminaire.

Specifications and design subject to change without notice.

MAINTENANCE STEPS

Required Tools:

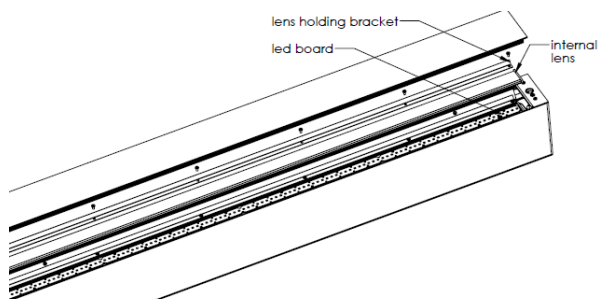


PLASTIC / LATEX GLOVES

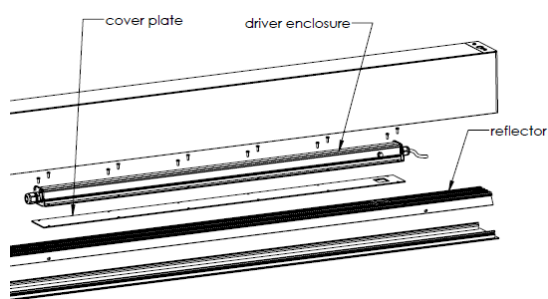


SCREWDRIVER

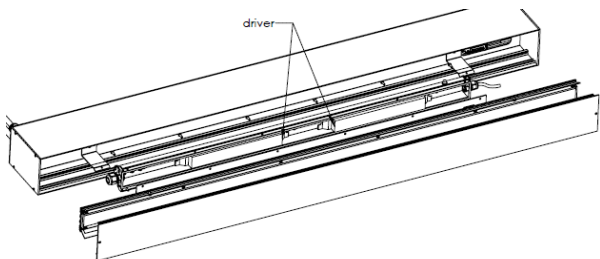
Important: Use clean gloves to avoid adding oil/dirt to reflector surface. Avoid scratching reflector surface by using installation tools with soft plastic rounded edges.



Step 1: For LED board maintenance, remove direct or indirect lens from the unit. Remove the screws and internal lens holding brackets and then remove the internal lens. Remove the screws and disconnect wires for LED board. Replace LED board and reinstall the screws and wires back. Reinstall internal lens and lens holding brackets and screws. Snap in the external lens back.



Step 2: For driver maintenance, first remove the direct lens, then remove the reflector and driver enclosure assembly. Unscrew driver enclosure screws and separate driver enclosure, cover plate from the reflector.



Step 3: Remove and service driver as required. Be sure to wire correctly (both power and dimming, and the wires to LED boards). Reinstall cover plate, driver enclosure to reflector assembly, ensure all wires are inside of the driver enclosure. Reinstall the reflector and driver enclosure assembly to fixture. Reinstall direct lens.

Specifications and design subject to change without notice.