

# RAIL 4 WET S4W-DI

MULLION . DIRECT / INDIRECT



- Wet location and IP54 rated
- Continuous direct optics with no breaks
- Constructed of non-ferrous components
- Standard natatorium finish

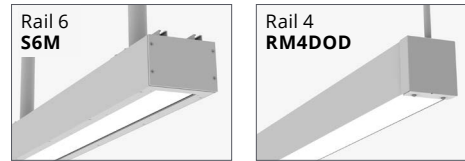


PART #:	
PREP BY:	DATE:
PROJECT:	QTY:
NOTES:	
APPROVAL SIGNATURE:	DATE (DD/MM/YYYY):

PERFORMANCE SUMMARY @ 3500K	Up: Meta Blanc, Down: Meta Blanc (MBMB)
Lumens per foot	1000
Wattage per foot	10
Efficacy (lm/W)	100
L70 Estimate (h)	≥ 60,000 hrs

See page 2 for the complete Light Level Performance chart.

## OTHER RAIL WET SERIES PRODUCTS



## ORDERING LOGIC

Example Part Number: S4W-DI-35K-8-MBMB-NW-150EM-M-3-90

S4W-DI								M			
1	2	3	4	5	6	7	8	9	10		
1. SERIES <b>S4W-DI</b>	2. COLOR TEMP <b>30K</b> 3000K <b>35K</b> 3500K <b>40K</b> 4000K <small>90 CRI is available under OPTIONS</small>	3. LENGTH <b>3</b> 3 ft   <b>8</b> 8 ft <b>4</b> 4 ft   <b>9</b> 9 ft <b>5</b> 5 ft   <b>10</b> 10 ft <b>6</b> 6 ft   <b>11</b> 11 ft <b>7</b> 7 ft   <b>12</b> 12 ft <b>RA</b> Continuous Rows (Replace "A" with length in feet) <b>C</b> Custom Length*	4. OPTICS <b>MBMB</b> Up: Meta Blanc Down: Meta Blanc (Opal diffuse lens)	5. NATATORIUM FINISH <b>NSA</b> Satin Aluminum <b>NW</b> White <b>NB</b> Black <b>NC</b> Custom Specify RAL:	6. LIGHT LEVEL / DRIVER (50% UP / 50% DOWN) <b>100</b> 1000 lm/f <b>150</b> 1500 lm/f <b>200</b> 2000 lm/f <b>C</b> Custom Range Specify lumens: Indirect      Direct <b>U</b> <b>D</b> (Combined lumens between 750-2000 at 50 lm intervals) Select Driver below. See Light Level Performance chart on p2.	7. CIRCUITRY <b>1</b> 1 Circuit <b>EM</b> Emergency / Night Light <b>B</b> Emergency Battery Pack* (Limited to ambient temperatures down to 0°C)	8. MOUNTING <b>M</b> Mullion Mount	9. VOLTAGE <b>1</b> 120 V <b>2</b> 277 V <b>3</b> 347 V <b>4</b> UNV (120 - 277V)	10. OPTIONS <b>90</b> 90 CRI, High R9 <b>SP</b> Surge Protection <b>EF</b> End Feed (Alone fixtures only) _ None (leave space empty)		

\*Consult factory.

### Select Driver:

- Factory option 0-10V, 1% Dimming
- LHE** Lutron H-Series Hi-lume 1% EcoSystem LED Driver
- LA2** Lutron A-Series Hi-lume 1% 2-wire LED Driver
- L5E** Lutron 5-Series EcoSystem LED Driver

### Light Level Performance

3500K, 80 CRI, 0-10V Dimming (Standard)

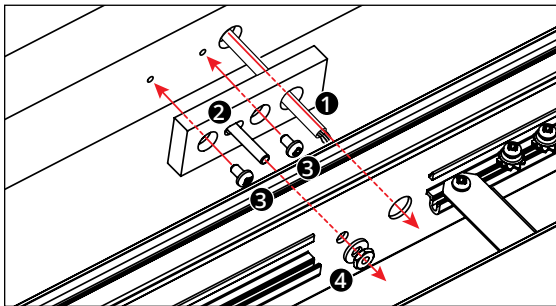
Optics	Up: Meta Blanc, Down: Meta Blanc (MB)		
Code	Lumens per foot	Wattage per foot	Efficacy (lm/W)
1000	1000	10.0	100
1500	1500	15.3	98
2000	2000	21.1	95

### Lumen Adjustment Factor

Color Temp	80 CRI	90 CRI
3000K	0.984	0.880
3500K	1.000	0.875
4000K	1.032	0.879

Metalumen's light level performance metrics are subject to manufacturers component tolerances.

### BLOCK MOUNTING DETAIL



**Step 1**

Feed power through the wire entry hole in the mullion block and connect power within the luminaire.

**Step 2**

Insert carriage bolt in to mullion block before fastening block to wall.

**Step 3**

Fasten the mullion block to the wall with fasteners by others.

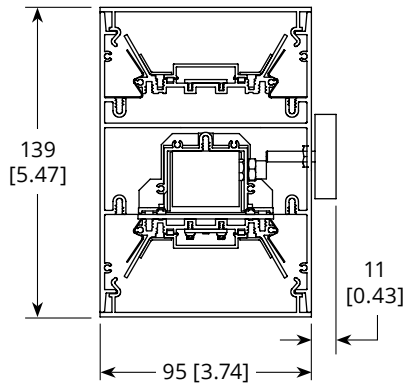
**Step 4**

Attach luminaire to the mullion block by securing the luminaire mount nut onto the carriage bolt inside the luminaire.

### WIRING

Standard	Emergency / Night Light
<ul style="list-style-type: none"> <li>BLACK - LINE</li> <li>WHITE - NEUTRAL</li> <li>GREEN - GROUND</li> <li>RED - CAPPED OFF</li> <li>VIOLET - DIM(+)</li> <li>PINK - DIM(-)</li> </ul>	<ul style="list-style-type: none"> <li>BLACK - LINE</li> <li>WHITE - NEUTRAL</li> <li>GREEN - GROUND</li> <li>RED - CAPPED OFF</li> <li>VIOLET - CAPPED OFF</li> <li>PINK - CAPPED OFF</li> </ul>

CROSS SECTIONS



SPECIFICATIONS

Due to the Continuous Improvement Policy at Metalumen, we reserve the right to change our specifications without notice.

**Housing:** Rigid extruded aluminum body, 2.0mm (0.08”) nominal wall thickness. Aluminum formed end caps.  
**Optical System:** Metalumen luminaires are designed to utilize leading edge LED technology combined with luminaire optimized reflectors and our custom diffusers, resulting in industry leading optical performance.  
**CRI:** 83+ for 3500K, 80 minimum for all

CCTs in standard configurations.  
**Lumen Maintenance:** Minimum 50,000h with TM-21 lumen maintenance of 85% @ 25°C ambient temperature (calculated based on IESNA LM-80-08 LED test data). L70: ≥ 60 000hrs.  
**Finish:** Satin aluminum, white and black are standard with a natatorium finish. For custom colors, contact factory.

**Weight:** 2.1 kg/300mm [ 4.6 lb/ft ]  
**Mounting:** Mullion mount bracket provided.  
**Drivers:** Metalumen offers dimming\* drivers as a standard on our entire LED product offering at 0-10V. Dimming range is 1%-100%. Power factor is > 90%. Class 2 rating. Drivers are integral.  
**Approvals:** All components are UL/ CSA/QPS recognized or listed. RoHS

compliant. cULus listed.  
**Environment:** Suitable for wet locations -22°F / -30°C start ambient temperature. Suitable for natatorium environments.

*\*Standard drivers compatible with passive/ sinking dimmers. Please contact Metalumen if active/sourcing dimmer support is required.*

WARRANTY

Metalumen will warrant defective luminaires for 5 years from date of purchase. Warranty is valid if luminaire is installed and used according to specification. If defective, Metalumen will send replacement boards or drivers at no cost along with detailed replacement instructions and instructions on how to return defective components to Metalumen.

PHOTOMETRIC DATA - 3500K, 80 CRI

Optics Up: **Meta Blanc**  
 Optics Down: **Meta Blanc**  
 IES File: **S4W-DI-35K-4-MBMB-1000**  
 Lumens: **1000/ft** Wattage: **10/ft**  
 Efficacy: **100 LPW**

ZONAL LUMEN SUMMARY

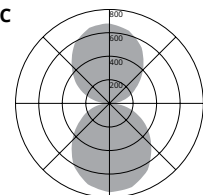
Zone	Lumens	%Fixt
0-90	2102	52.4
90-180	1911	47.6
0-180	4013	100

LUMINANCE DATA (CD/M2)

Vertical Angle	Horizontal Angle		
	0	45	90
45	610	608	586
55	602	581	557
65	601	565	519
75	611	549	469
85	713	639	398

PHOTOMETRIC CURVE

48% Up  
 53% Down



Photometric performance is measured and scaled in accordance with IESNA LM-79.