

RAIL 4 WET S4W-DI

WALL . DIRECT / INDIRECT



- Wet location and IP54 rated
- Continuous direct optics with no breaks
- Constructed of corrosion resistant components
- Standard natatorium finish

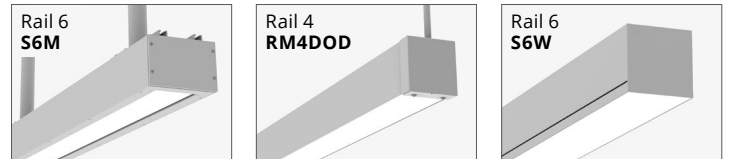


| | |
|---------------------|--------------------|
| PART #: | |
| PREP BY: | DATE: |
| PROJECT: | QTY: |
| NOTES: | |
| APPROVAL SIGNATURE: | DATE (DD/MM/YYYY): |

| | |
|-----------------------------|---|
| PERFORMANCE SUMMARY @ 3500K | Up: Meta Blanc, Down: Meta Blanc (MBMB) |
| Lumens per foot | 1000 |
| Wattage per foot | 10 |
| Efficacy (LPW) | 100 |
| L70 Estimate (h) | ≥ 60,000 hrs |

See page 2 for the complete Light Level Performance chart.

OTHER RAIL WET SERIES PRODUCTS



ORDERING LOGIC

Example Part Number: S4W-DI-35K-8-MBMB-NW-150EM-M-3-90

| | | | | | | | | | |
|----------------------------|--|--|---|--|--|--|------------------------------------|---|--|
| S4W-DI | | | | | | | | W | |
| 1 | 2 | 3 | 4 | 5 | 6 | 7 | 8 | 9 | 10 |
| 1. SERIES S4W-DI | 2. COLOR TEMP 30K 3000K 35K 3500K 40K 4000K 90 CRI is available under OPTIONS | 3. LENGTH 3 3 ft 8 8 ft 4 4 ft 9 9 ft 5 5 ft 10 10 ft 6 6 ft 11 11 ft 7 7 ft 12 12 ft RA Continuous Rows (Replace "A" with length in feet) C Custom Length* | 4. OPTICS MBMB Up: Meta Blanc Down: Meta Blanc (Opal diffuse lens) | 5. NATATORIUM FINISH NSA Satin Aluminum NW White NB Black NC Custom Specify RAL: | 6. LIGHT LEVEL / DRIVER (50% UP / 50% DOWN) 100 1000 lm/f 150 1500 lm/f 200 2000 lm/f C Custom Range Specify lumens: Indirect Direct U D (Combined lumens between 750-2000 at 50 lm intervals) Select Driver below. See Light Level Performance chart on p2. | 7. CIRCUITRY 1 1 Circuit EM Emergency / Night Light B Emergency Battery Pack* (remote mounted) (Limited to ambient temperatures down to 0°C) | 8. MOUNTING W Wall mount | 9. VOLTAGE 1 120V 2 277V 3 347V 4 UNV(120 - 277V) | 10. OPTIONS 90 90 CRI, High R9 SP Surge Protection _ None (leave space empty) |

*Consult factory.

Select Driver:

- Factory option 0-10V, 1% Dimming
- LHE** Lutron H-Series Hi-lume 1% EcoSystem LED Driver
- L5E** Lutron 5-Series EcoSystem LED Driver

Light Level Performance

3500K, 80 CRI, 0-10V Dimming (Standard)

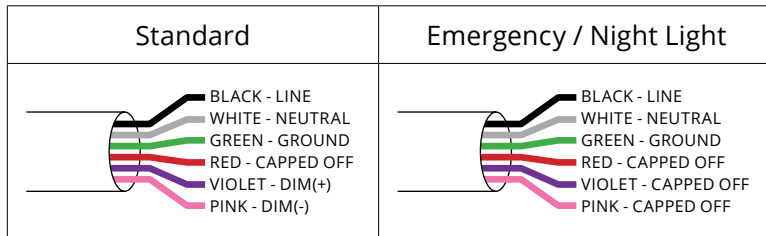
Lumen Adjustment Factor

| Optics | Up: Meta Blanc, Down: Meta Blanc (MBMB) | | |
|--------|---|------------------|----------------|
| Code | Lumens per foot | Wattage per foot | Efficacy (LPW) |
| 1000 | 1000 | 10.0 | 100 |
| 1500 | 1500 | 15.3 | 98 |
| 2000 | 2000 | 21.1 | 95 |

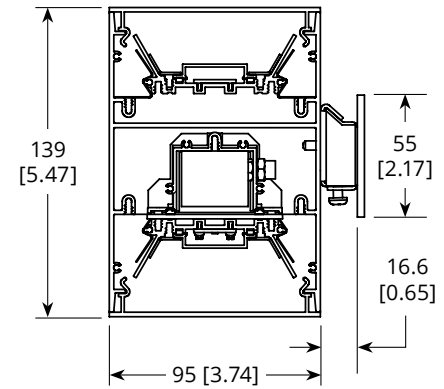
| Color Temp | 80 CRI | 90 CRI |
|------------|--------|--------|
| 3000K | 0.984 | 0.880 |
| 3500K | 1.000 | 0.875 |
| 4000K | 1.032 | 0.879 |

Metalumen's light level performance metrics are subject to manufacturers component tolerances.

WIRING



CROSS SECTIONS



SPECIFICATIONS

Due to the Continuous Improvement Policy at Metalumen, we reserve the right to change our specifications without notice.

Housing: Rigid extruded aluminum body, 2.0mm (0.08") nominal wall thickness. Aluminum formed end caps.
Optical System: Metalumen luminaires are designed to utilize leading edge LED technology combined with luminaire optimized reflectors and our custom diffusers, resulting in industry leading optical performance.

CRI: 83+ for 3500K, 80 minimum for all CCTs in standard configurations.
Lumen Maintenance: Minimum 50,000h with TM-21 lumen maintenance of 85% @ 25°C ambient temperature (calculated based on IESNA LM-80-08 LED test data). L70: ≥ 60 000hrs.
Finish: Satin aluminum, white and black are standard with a natatorium

finish. For custom colors, contact factory.
Weight: 2.1 kg/300mm [4.6 lb/ft]
Mounting: Mounting plate provided.
Drivers: Metalumen offers dimming* drivers as a standard on our entire LED product offering at 0-10V. Dimming range is 1%-100%. Power factor is > 90%. Class 2 rating. Drivers are integral.

Approvals: All components are UL/ CSA/QPS recognized or listed. RoHS compliant. This product is cULus listed.
Environment: Suitable for wet locations -22°F / -30°C start ambient temperature. Suitable for natatorium environments.
**Standard drivers compatible with passive/ sinking dimmers. Please contact Metalumen if active/sourcing dimmer support is required.*

WARRANTY

Metalumen will warrant defective luminaires for 5 years from date of purchase. Warranty is valid if luminaire is installed and used according to specification. If defective, Metalumen will send replacement boards or drivers at no cost along with detailed replacement instructions and instructions on how to return defective components to Metalumen.

PHOTOMETRIC DATA - 3500K, 80 CRI

Optics Up: **Meta Blanc**
 Optics Down: **Meta Blanc**
 IES File: **S4W-DI-35K-4-MBMB-1000**
 Lumens: **1000/ft** Wattage: **10/ft**
 Efficacy: **100 LPW**

ZONAL LUMEN SUMMARY

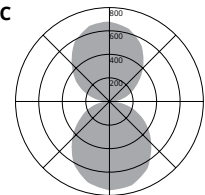
| Zone | Lumens | %Fixt |
|--------|--------|-------|
| 0-90 | 2102 | 52.4 |
| 90-180 | 1911 | 47.6 |
| 0-180 | 4013 | 100 |

LUMINANCE DATA (CD/M2)

| Vertical Angle | Horizontal Angle | | |
|----------------|------------------|-----|-----|
| | 0 | 45 | 90 |
| 45 | 610 | 608 | 586 |
| 55 | 602 | 581 | 557 |
| 65 | 601 | 565 | 519 |
| 75 | 611 | 549 | 469 |
| 85 | 713 | 639 | 398 |

PHOTOMETRIC CURVE

48% Up
53% Down



Photometric performance is measured and scaled in accordance with IESNA LM-79.