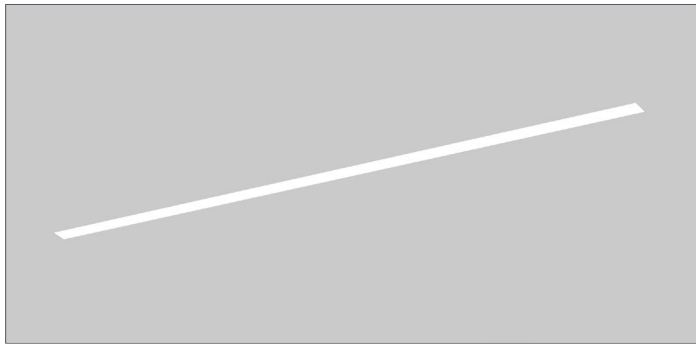


RAIL 1.5 S1

RECESSED DRYWALL FLANGELSS . DIRECT



- Narrow 1.5 inch profile
- Integral driver
- 4', 8' and 12' lengths as well as continuous rows
- Continuous direct optics with no breaks



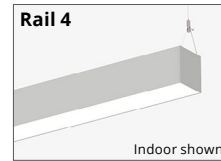
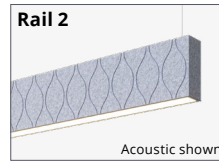
PART #:	
PREP BY:	DATE:
PROJECT:	QTY:
NOTES:	
APPROVAL SIGNATURE:	DATE (DD/MM/YYYY):

PERFORMANCE SUMMARY @ 3500K

		Meta Blanc (MB)
Light Level		60
Lumens per foot	80 CRI	601
	90 CRI	526
Wattage per foot		5.7
Efficacy (LPW)	80 CRI	105
	90 CRI	92
L70 Estimate (h)		≥ 60,000 hrs

See page 2 for the complete Light Level Performance chart.

OTHER RAIL PRODUCTS



ORDERING LOGIC

Example Part Number: S1-35K-12-MB-W-501-DF-1-90

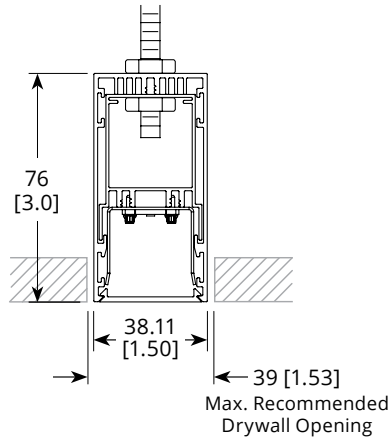
S1					MB					DF				
1	2	3	4	5	6	7	8	9	10	11	12	13		

1. SERIES	2. COLOR TEMP	3. LENGTH	4. PATTERN ¹	5. OPTICS	6. FINISH	
S1 Direct	30K 3000K 35K 3500K 40K 4000K	2 2 ft 8 8 ft 3 3 ft 9 9 ft 4 4 ft 10 10 ft 5 5 ft 11 11 ft 6 6 ft 12 12 ft 7 7 ft	GA Square GAxB Rectangle UAxBxC U-Shape LAxB L-Shape C Custom Pattern* _ None (leave space empty)	MB Meta Blanc	SA Satin Aluminum W White B Black C Custom Finish Specify RAL:	
	90 CRI is available under OPTIONS	RA Continuous Rows* Replace "A" with length in feet C Custom Length* _ None (leave space empty)	Standard Patterns Minimum Lengths Square: A = 4 ft min. Rectangle: A = 4 ft min, B = 4 ft min. U-Shape: A = 3 ft min, B = 4 ft min, C = 3 ft min. L-Shape: A = 3 ft min, B = 3 ft min.	Meta Blanc: Opal diffuse lens		
			Custom Patterns* Lengths and a drawing of custom pattern are required on page 2 T-Shape Cross/X	Select corner: <input type="checkbox"/> Outside 90° <input type="checkbox"/> Inside 90° WALL		
7. LIGHT LEVEL / DRIVER	8. CIRCUITRY	9. MOUNTING	10. VOLTAGE	11. SENSORS	12. CONTROLS	13. OPTIONS
35 350 lm/f 44 440 lm/f 60 600 lm/f 110 1100 lm/f C Custom Range Specify lumens: (Total lumens between 350-1000 lm at 50 lm intervals)	1 1 Circuit EM Emergency / Night Light B Emergency Battery Pack ²	DF Recessed Drywall Flangeless	1 120 V 2 277 V 3 347 V 4 UNV (120 - 277V)	_ None (leave space empty)		90 90 CRI, High R9 _ None (leave space empty)

*Consult factory. | ¹ Pattern record drawings showing mounting locations will be sent out upon order. | ² Battery operates 4ft sections only.

- Select Driver:
- Factory option 0-10V, 1% Dimming
 - LHE** Lutron H-Series Hi-lume 1% EcoSystem LED Driver
 - LSE** Lutron 5-Series EcoSystem LED Driver

CROSS SECTIONS



WIRING

Standard	Emergency / Night Light	Emergency Battery Pack

SPECIFICATIONS

Due to the Continuous Improvement Policy at Metalumen, we reserve the right to change our specifications without notice.

Housing: Rigid extruded aluminum body, 2.0mm (0.08”) nominal wall thickness. Zinc alloy die-cast end caps.
Optical System: Metalumen luminaires are designed to utilize leading edge LED technology combined with luminaire optimized reflectors and our custom diffusers, resulting in industry leading optical performance.

CRI: 83 (3500K) (80 minimum)
Lumen Maintenance: Minimum 50,000h with TM-21 lumen maintenance of 85% @ 25°C ambient temperature (calculated based on IESNA LM-80-08 LED test data). L70: ≥60,000hrs.
Finish: Satin Aluminum, white and black are standard options. For custom finish, contact factory.

Weight: 1.4 lb/ft or 0.6 kg/300mm.
Mounting: Mounting brackets provided.
Electrical: Factory prewired with easy wire quick connect sections.
Drivers: Metalumen offers 0-10V dimming* as a standard on our entire LED product offering. Dimming range is 1%-100%. Power factor is > 90%. Class 2 rating. All drivers are remote

mounted.
Approvals: All components are UL/ CSA/QPS recognized or listed. RoHS compliant. cULus pending.
Environment: Suitable for dry or damp locations.
**Standard drivers compatible with passive/ sinking dimmers. Please contact Metalumen if active/sourcing dimmer support is required.*

WARRANTY

Metalumen will warrant defective luminaires for 5 years from date of purchase. Warranty is valid if luminaire is installed and used according to specification. If defective, Metalumen will send replacement boards or drivers at no cost along with detailed replacement instructions and instructions on how to return defective components to Metalumen.

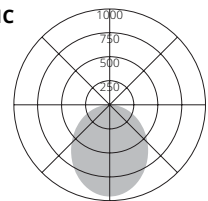
PHOTOMETRIC DATA - 3500K, 80 CRI

Optics: **Meta Blanc**
 IES File: **S1-35K-4-MB-60**
 Lumens: **601/ft** Wattage: **5.7/ft**
 Efficacy: **105 LPW**

ZONAL LUMEN SUMMARY		
Zone	Lumens	%Fixt
0-90	2404	100
90-180	0	0
0-180	2404	100

LUMINANCE DATA (CD/M2)		
Vertical Angle	Horizontal Angle	
	0/180	90/270
45	18179	18622
55	16874	17238
65	15585	15853
75	14281	13932
85	13281	13978

PHOTOMETRIC CURVE
 100% Down



Photometric performance is measured and scaled in accordance with IESNA LM-79.