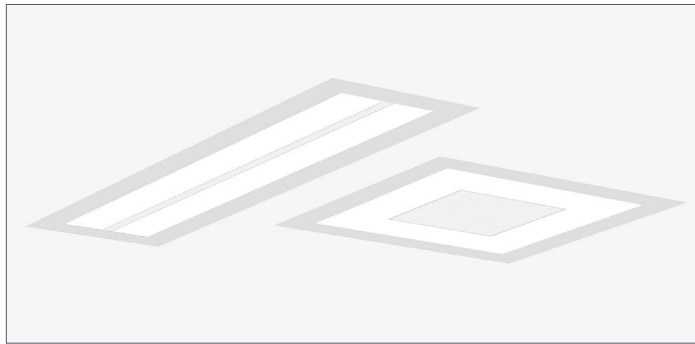


SCENE SCE

LED . RECESSED . DIRECT



- Specification Grade Edgelit Light Guide Luminaire
- Efficacy up to 97 LPW
- Suitable for dry or damp locations
- Remote or integral drivers



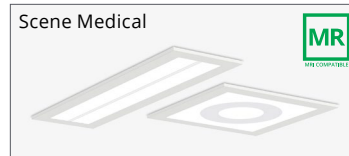
PART #:	
PREP BY:	DATE:
PROJECT:	QTY:
NOTES:	
APPROVAL SIGNATURE:	DATE (DD/MM/YYYY):

PERFORMANCE SUMMARY @ 3500K

		2X2			1X4	
		PQ	QQ / CC	SD	PS	SD
Light Level		L1				
Lumens	80 CRI	2053	2042	2227	1905	2037
Wattage		24	24	24	21	21
Efficacy	80 CRI	86	85	93	91	97
L70 Estimate (h)		≥ 60,000 hrs				

See page 2 for the complete Light Level Performance chart.

OTHER SCENE PRODUCTS



ORDERING LOGIC

Example Part Number: SCE-2L35K-22-QQ-W-L31-D-1-NN

1. SERIES	2. COLOR TEMP	3. CONFIGURATIONS	4. OPTICS	5. FINISH	6. LIGHT LEVEL / DRIVER				
SCE	2L30K 3000K 2L35K 3500K 2L40K 4000K 2L50K 5000K	Single / Alone Units	2x2'	W White AM Antimicrobial White Paint C Custom Finish Specify RAL:	2x2' Optics Lumen Codes				
		22 2x2 ft	PQ Perforated Square		CODE*	PQ	QQ / CC	SD	
		14 1x4 ft	QQ Square in Square		L1	2053	2042	2227	
		2x2' Configurations			CC Circle in Circle	L2	2947	2816	3185
		B E H	SD Standard Diffuser		L3	3316	3251	3581	
		C F I	1x4'		L4	3794	3852	4090	
		D G	PS Perforated Strip		1x4' Optics Lumen Codes				
		1x4' Configurations			SD Standard Diffuser	CODE*	PS	SD	
		J K L	CUSTOM GRAPHIC Must be ordered through the SCENE PHOTO GRAPHICS Spec Sheet		See next page for configuration diagrams	L1	1905	2037	
		M Custom configuration				L2	3727	4068	
90 CRI is available under OPTIONS			L3	5668	5814				
			L4	6469	6522				
*Please note Light Level Codes have been updated in accordance with UL certification standards. Refer to the Light Level Performance chart on the next page for additional information. Select Driver below.									
7. CIRCUITRY		8. MOUNTING		9. VOLTAGE		10. CONTROLS / SENSORS		11. DRIVER LOCATION	
1 1 Circuit EM Emergency / Night Light B Emergency Battery Pack		D Recessed Drywall T Recessed T-Bar		1 120V 2 277V 3 347V 4 UNV(120-277V)		N None		N None (Integral) R Remote	

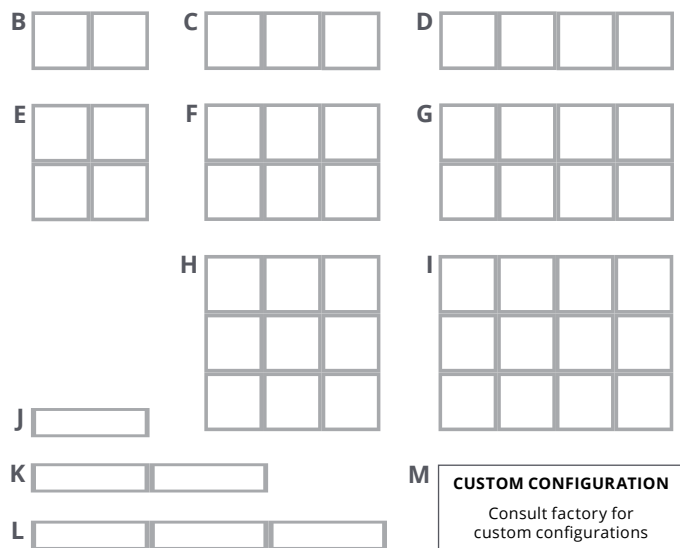
- Select Driver:
- Factory option 0-10V, 1% Dimming
 - D2** DALI
 - LHE** Lutron H-Series Hi-lume 1% EcoSystem LED Driver
 - L5E** Lutron 5-Series EcoSystem LED Driver

Light Level Performance | 3500K, 80 CRI, 0-10V Dimming (Standard)

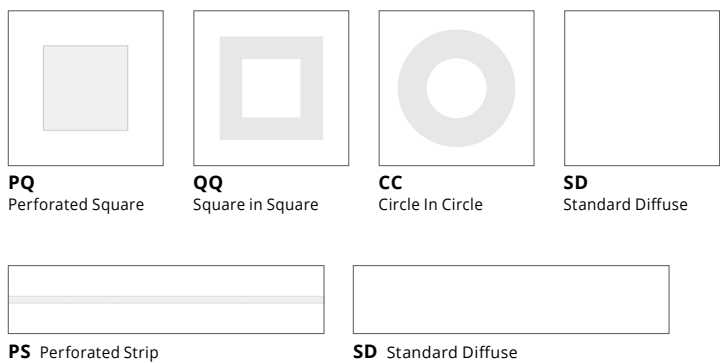
2x2												1x4						Lumen Adjustment Factor				
Optics	Perforated Square (PQ)			Square in Square (QQ)			Circle in Circle (CC)			Standard Diffuse (SD)			Light Level	Perforated Strip (PS)		Standard Diffuse (SD)		Color Temp	80 CRI	90 CRI		
Light Level	Lumens	Wattage	Efficacy (LPW)	Lumens	Wattage	Efficacy (LPW)	Lumens	Wattage	Efficacy (LPW)	Lumens	Wattage	Efficacy (LPW)	Light Level	Lumens	Wattage	Efficacy (LPW)	Lumens	Wattage	Efficacy (LPW)			
L1	2053	24	86	2042	24	85	2042	24	85	2227	24	93	L1	1905	21	91	2037	21	97	3000K	0.984	0.880
L2	2947	37	80	2816	37	76	2816	37	76	3185	37	86	L2	3727	48	78	4068	48	85	3500K	1.000	0.875
L3	3316	43	77	3251	43	76	3251	43	76	3581	43	83	L3	5668	74	77	5814	74	79	4000K	1.032	0.879
L4	3794	51	74	3852	51	76	3846	51	75	4090	51	80	L4	6469	85	76	6522	85	77	5000K	1.032	0.879

Metalumen's light level performance metrics are subject to manufacturers component tolerances.

CONFIGURATIONS



STANDARD OPTICS



To clean the optics:

Gently wipe down the optics with a clean, dry cloth to remove any dust and light residues. For heavier smudges, spray clean cloth with mild soap and water solution and gently wipe optics surface. **Warning:** Hard wiping and abrasive cloths will scratch the optics. **Do not use** cleaning products containing alcohol or acetone which will damage the optics.

SPECIFICATIONS

Due to the Continuous Improvement Policy at Metalumen, we reserve the right to change our specifications without notice.

Housing: Luminaire body is constructed with 22 gauge cold rolled steel and 20 gauge aluminum, and welded seams.

Optical System: The light emitted from the mid-flux LEDs is channeled inside Metalumen's AccuRay® optical plane where a precisely controlled micro dot matrix pattern directs, shapes and distributes the light throughout the material. A high performance optical reflector and diffuser further guide and extract the

light with superb efficiency and beam control. Standard optics available. Custom graphics must be ordered through the SCENE PHOTO GRAPHICS Spec Sheet.

CRI: 83+ (3500K) (80 minimum) Consult factory for 90+ CRI.

Lumen Maintenance: At an ambient operating temperature of 25°C the LED lifetime expectancy ≥ 60 000hrs at L70.

Finish: The luminaire housing and associated parts are finished in highly reflective, matte powder coat white

paint (91% reflectance) or antimicrobial white paint. For custom finish, consult factory.

Mounting: Suitable for 9/16" and 15/16" T-Bars. Mounting brackets/clips provided.

Drivers: Metalumen offers dimming* drivers as a standard on our entire LED product offering at 0-10V. Dimming range is 1%-100%. Power factor is > 90%. Class 2 rating. One driver box per luminaire is provided.

Approvals: Certified to NRTL safety

and IES Recommended testing standards. All components are UL/CSA/QPS recognized or listed, RoHS, LM79, LM80 and LM82 compliant. This product is cULus listed and retains the listing with the remote battery pack. Plenum - CCEA Approved.

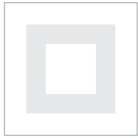
Environment: Suitable for dry or damp locations.

*Standard drivers compatible with passive/sinking dimmers. Please contact Metalumen if active/sourcing dimmer support is required.

WARRANTY

Metalumen will warrant defective luminaires for 5 years from date of purchase. Warranty is valid if luminaire is installed and used according to specification. If defective, Metalumen will send replacement boards or drivers at no cost along with detailed replacement instructions and instructions on how to return defective components to Metalumen.

PHOTOMETRIC DATA - 3500K, 80 CRI



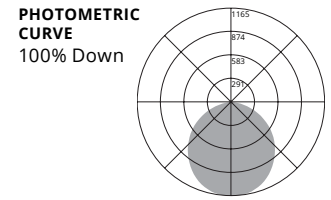
Optics: **Square in Square**
 IES File: **SCE-2L35K-22-QQ-L3**
 Lumens: **3251** Wattage: **43**
 Efficacy: **76 LPW**

ZONAL LUMEN SUMMARY

Zone	Lumens	%Fixt
0-90	3251	100
90-180	0	0
0-180	3251	100

LUMINANCE DATA (CD/M2)

Vertical Angle	Horizontal Angle		
	0	45	90
45	3736	3736	3736
55	3571	3571	3571
65	3294	3294	3294
75	2750	2750	2750
85	1553	1553	1553



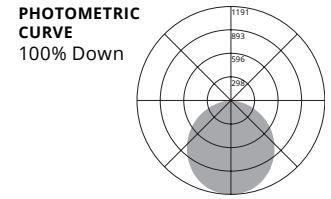
Optics: **Circle in Circle**
 IES File: **SCE-2L35K-22-CC-L3**
 Lumens: **3251** Wattage: **43**
 Efficacy: **76 LPW**

ZONAL LUMEN SUMMARY

Zone	Lumens	%Fixt
0-90	3316	100
90-180	0	0
0-180	3316	100

LUMINANCE DATA (CD/M2)

Vertical Angle	Horizontal Angle		
	0	45	90
45	3834	3834	3834
55	3674	3674	3674
65	3376	3376	3376
75	2736	2736	2736
85	1195	1195	1195



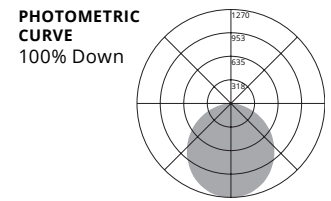
Optics: **Perforated Square**
 IES File: **SCE-2L35K-22-PQ-L3**
 Lumens: **3316** Wattage: **43**
 Efficacy: **77 LPW**

ZONAL LUMEN SUMMARY

Zone	Lumens	%Fixt
0-90	3581	100
90-180	0	0
0-180	3581	100

LUMINANCE DATA (CD/M2)

Vertical Angle	Horizontal Angle		
	0	45	90
45	4039	4053	4068
55	3872	3890	3908
65	3590	3606	3639
75	3050	3090	3117
85	1969	1969	2009



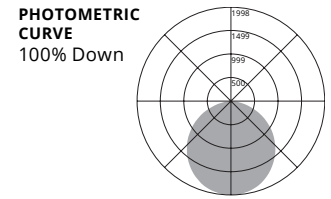
Optics: **Standard Diffuse**
 IES File: **SCE-2L35K-22-SD-L3**
 Lumens: **3581** Wattage: **43**
 Efficacy: **83 LPW**

ZONAL LUMEN SUMMARY

Zone	Lumens	%Fixt
0-90	5668	100
90-180	0	0
0-180	5668	100

LUMINANCE DATA (CD/M2)

Vertical Angle	Horizontal Angle		
	0	45	90
45	6999	6999	6999
55	6743	6743	6743
65	6274	6274	6274
75	5303	5303	5303
85	3209	3209	3209



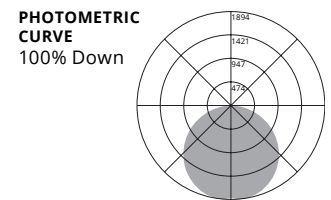
Optics: **Perforated Strip**
 IES File: **SCE-2L35K-14-PS-L3**
 Lumens: **5668** Wattage: **74**
 Efficacy: **77 LPW**

ZONAL LUMEN SUMMARY

Zone	Lumens	%Fixt
0-90	5814	100
90-180	0	0
0-180	5814	100

LUMINANCE DATA (CD/M2)

Vertical Angle	Horizontal Angle		
	0	45	90
45	5180	5121	4912
55	5142	5039	4731
65	5084	4880	4392
75	5005	4562	3705
85	5614	4289	2132

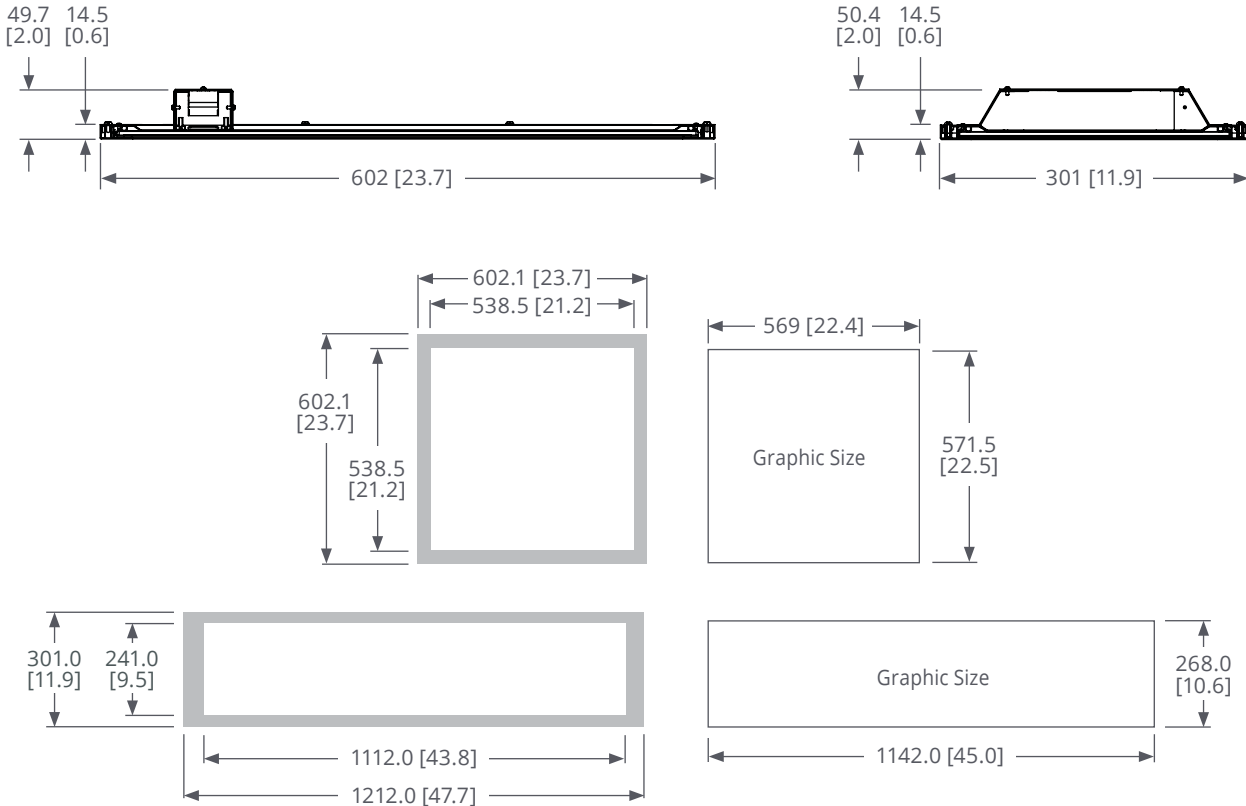


Optics: **Standard Diffuse**
 IES File: **SCE-2L35K-14-SD-L3**
 Lumens: **5814** Wattage: **74**
 Efficacy: **79 LPW**

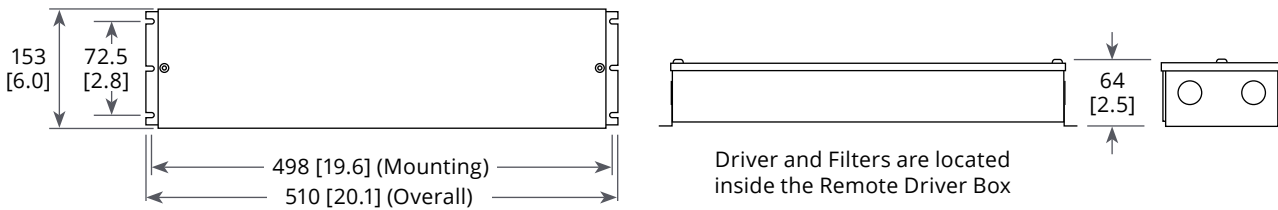
Photometric performance is measured and scaled in accordance with IESNA LM-79.

DIMENSIONS

Product Body and Lens



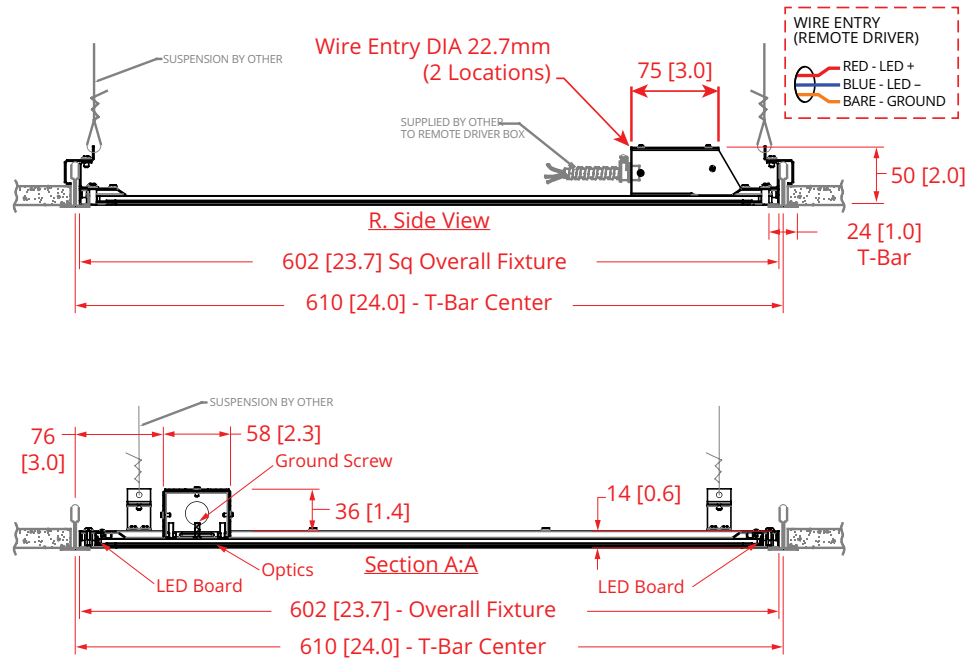
Remote Driver Box



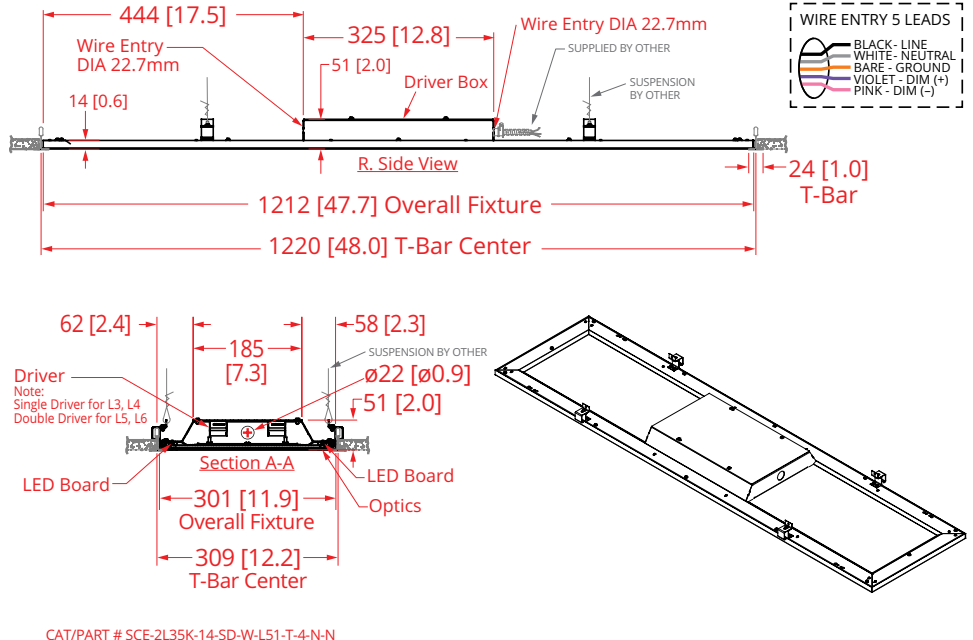
Remote Driver Mounting Maximum Wire Length									
Light Level	Driver Qty.	Driver Current (mA)	Fixture Length	Distance in feet / Wire Gauge					
				22 Ga.	20 Ga.	18 Ga.	16 Ga.	14 Ga.	12 Ga.
L1	1	700	2x2	13	42	67	107	170	280
L2	1	1050	2x2	8	28	45	71	113	180
L3	1	1200	2x2	7	25	39	62	99	157
L4	1	1400	2x2	6	21	34	53	85	135

CROSS SECTIONS | 2x2 Recessed T-Bar

Remote Driver



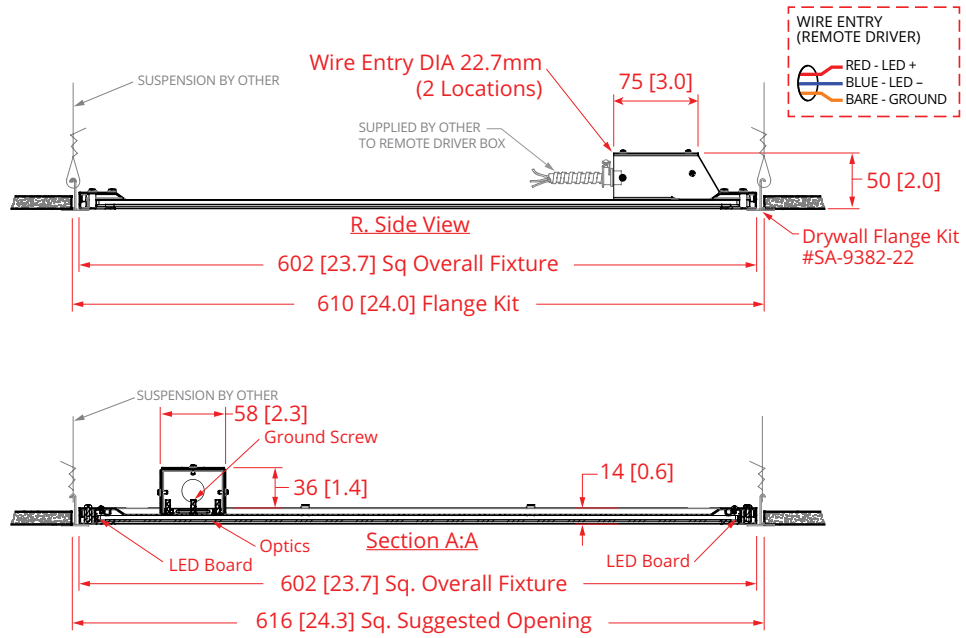
Integral Driver



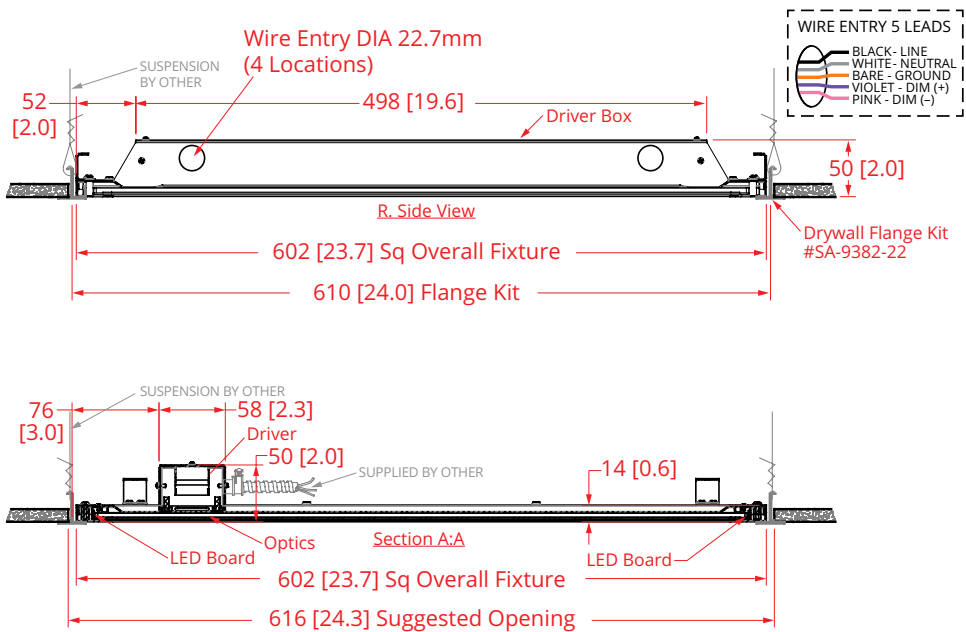
CAT/PART # SCE-2L35K-14-SD-W-L51-T-4-N-N

CROSS SECTIONS | 2x2 Recessed Drywall with Flange Kit

Remote Driver

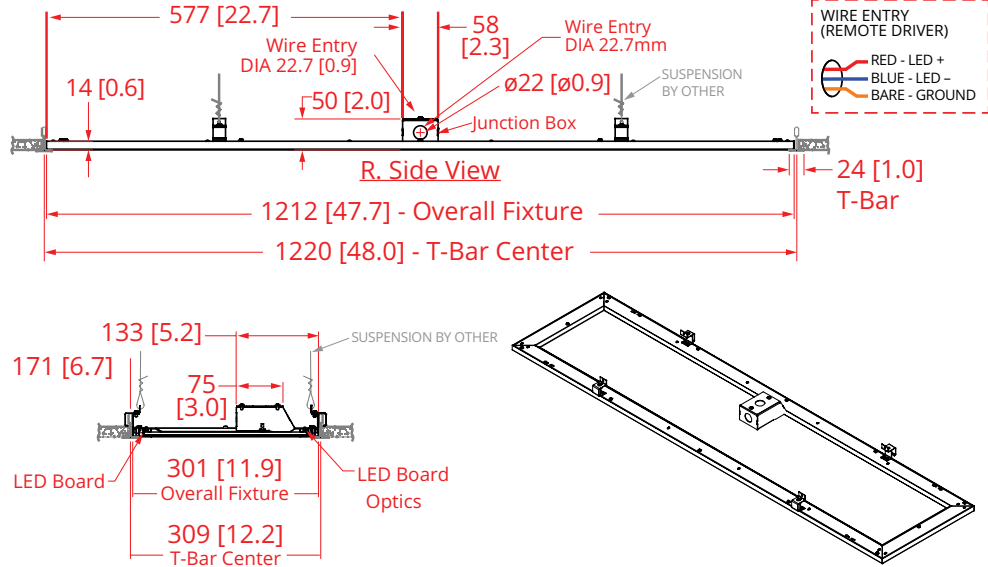


Integral Driver

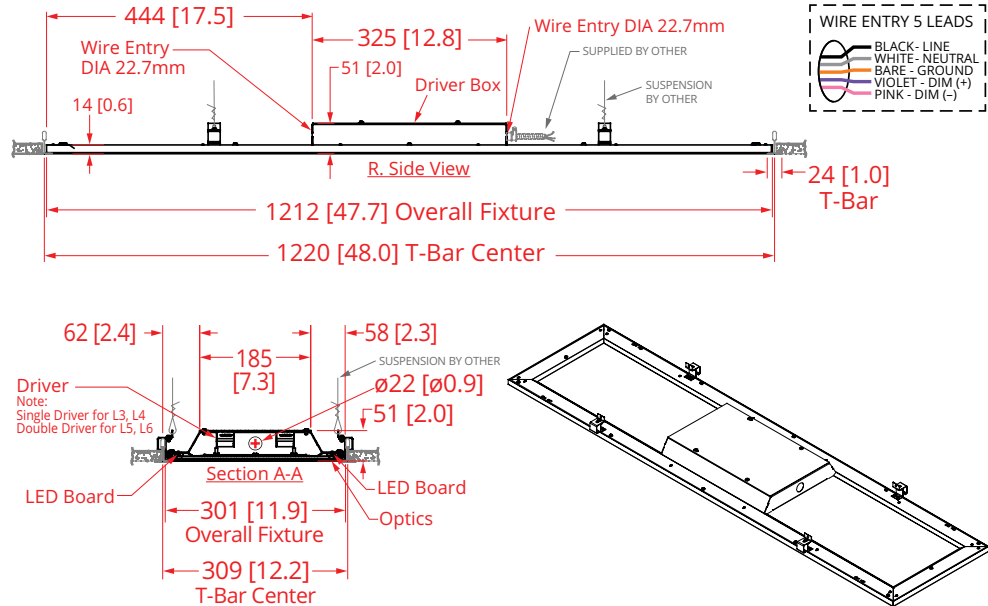


CROSS SECTIONS | 1x4 Recessed T-Bar

Remote Driver

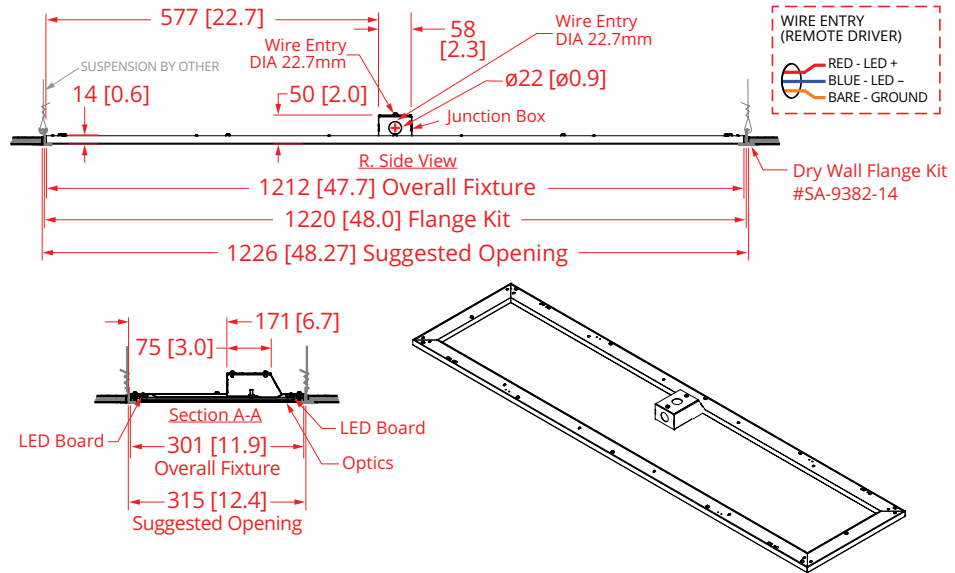


Integral Driver



CROSS SECTIONS | 1x4 Recessed Drywall with Flange Kit

Remote Driver



Integral Driver

