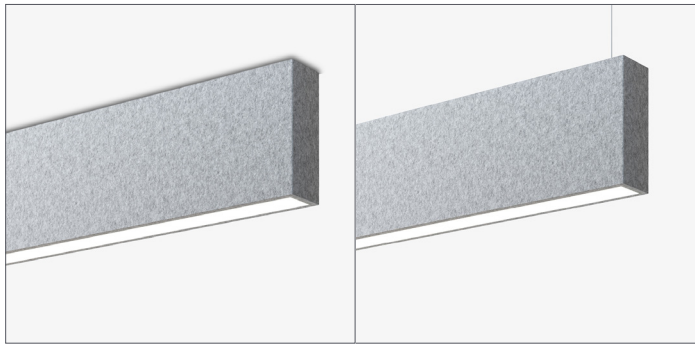


RAIL 2 ACOUSTIC (LIT)

RAIL2-ACL . LED . PENDANT . DIRECT



- Optimal lighting with acoustic baffle technology by **EZO**
- Baffle height options of 8", 12" or 16"
- Baffle material is resistant to bacteria and moisture
- Many baffle colours and wood grain print options



| | |
|---------------------|--------------------|
| PART #: | |
| PREP BY: | DATE: |
| PROJECT: | QTY: |
| NOTES: | |
| APPROVAL SIGNATURE: | DATE (DD/MM/YYYY): |

PERFORMANCE SUMMARY

3500K, Meta Blanc Optics

| | |
|------------------|--|
| Lumens per foot | 750 |
| Wattage per foot | 7.6 |
| Efficacy (lm/W) | 99 |
| L70 Estimate (h) | ≥ 60,000 hrs |
| NRC | 1.10 |
| Sabins | Per Lineal Foot: 1.33 / Per Lineal Meter: 4.35 |

See page 2 for complete performance data.

MORE ACOUSTIC PRODUCTS



ORDERING LOGIC

Example Part Number: RAIL2-ACL-35K-8-MB-08WAP-500EM-TRT18-1

| | | | | | | | | | | | | | |
|---------------------------|-------------------------------------|---|---|-------------------------------|--|---|--|---|---|--|---|--------------|---|
| RAIL2 | ACL | | | | MB | | | | | | | | |
| 1 | 2 | 3 | 4 | 5 | 6 | 7 | 8 | 9 | 10 | 11 | 12 | 13 | 14 |
| 1. SERIES RAIL2 | 2. MODEL ACL Acoustic Lit | 3. COLOR TEMP 30K 3000K 35K 3500K 40K 4000K | 4. LENGTH ¹ (Nominal) 2 2 ft 3 3 ft 4 4 ft 5 5 ft 6 6 ft 7 7 ft 8 8 ft RA Continuous Rows C Custom Length / Configurations (Consult factory) — None (leave space empty) | 5. PATTERN Consult factory | 6. OPTICS MB Meta Blanc Meta Blanc: Opal diffuse lens | 7. ACOUSTIC BAFFLE Code example: 08 WAP CP1 HEIGHT ↑ CARVE PATTERN COLOR / WOOD PRINT HEIGHT 08 8 Inches 12 12 Inches 16 16 Inches BAFFLE See page 3 for options & codes Wood Grain Print FLANGE COLOUR: <input type="checkbox"/> White Flange <input type="checkbox"/> Black Flange | 8. LIGHT LEVEL / DRIVER 500 lm/ft 750 lm/ft 1000 lm/ft C Custom Range Specify lumens: (between 500-1000 at 50 lm intervals) Select Driver below. See Light Level Performance chart on p2. | 9. CIRCUITRY 1 1 Circuit EM Emergency / Night Light B Emergency Battery Pack ² | 10. MOUNTING PAX Pendant Aircraft Cable PTX Pendant Aircraft Cable for T-bar PSX Pendant Aircraft Cable Surface S Surface (Ceiling) TRTX Threaded Rod for T-bar TRUX Threaded Rod for Unistrut Replace "X" with length (inches) selected below. Select Hanger Length and indicate Canopy and Power Cord Finish below | 11. VOLTAGE 3 347 V (Consult factory) 4 UNV (120 - 277V) | 12. SENSORS Tap to view Sensors and Controls Reference Guide | 13. CONTROLS | 14. OPTIONS 90 90 CRI (High R9) — None (leave space empty) |

1.Lengths shown are nominal. Specify a custom length for exact fit. | 2.Battery operates 4ft sections only.

Select Driver:

- FD** Factory option 0-10V, 1% Dimming
- LHE** Lutron H-Series Hi-lume 1% EcoSystem LED Driver
- LSE** Lutron 5-Series EcoSystem LED Driver

Select Hanger Length

Total aircraft adjustment range is 6" up & down for each standard length. See detailed hanger diagrams on page 5. All other lengths are considered custom unless otherwise stated.

NOTE: If no selection is made, a 48" hanger will be supplied.

| Select: | Imperial (in) | Metric (mm) |
|--------------------------|---------------|-------------|
| <input type="checkbox"/> | 12 | 305 |
| <input type="checkbox"/> | 18 | 460 |
| <input type="checkbox"/> | 24 | 610 |
| <input type="checkbox"/> | 30 | 760 |
| <input type="checkbox"/> | 36 | 915 |
| <input type="checkbox"/> | 42 | 1067 |
| <input type="checkbox"/> | 48 | 1220 |

| Select: | Imperial (in) | Metric (mm) |
|--------------------------|----------------------|-------------|
| <input type="checkbox"/> | 54 | 1372 |
| <input type="checkbox"/> | 60 | 1525 |
| <input type="checkbox"/> | 72 | 1830 |
| <input type="checkbox"/> | 96 | 2440 |
| <input type="checkbox"/> | 120 | 3050 |
| <input type="checkbox"/> | 144 | 3660 |
| <input type="checkbox"/> | Custom Length: _____ | |

Canopy and Power Cord Finish

White canopy & cord is standard

| | |
|--------------------------------------|--------------------------------------|
| Canopy | Cord |
| <input type="checkbox"/> Custom RAL: | <input type="checkbox"/> Custom RAL: |

PERFORMANCE

LIGHT LEVEL PERFORMANCE & PHOTOMETRIC DATA
3000K, 85 CRI, 0-10V Dimming (Standard)

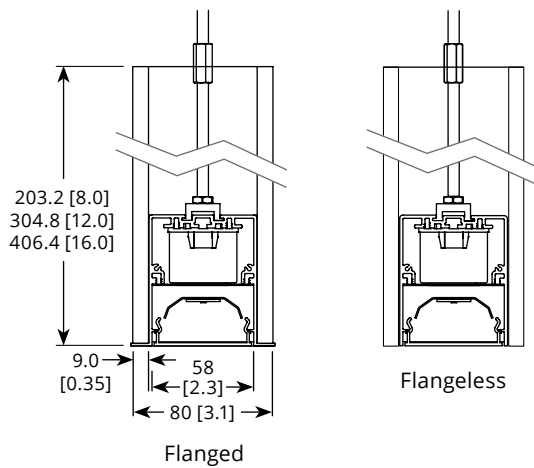
Lumen Adjustment Factor (Standard)

| Light Level | Lumens per foot | Wattage per foot | Efficacy (LPW) | IES File | Distribution % (Down / Up) | Zonal Lumens (0-90 / 90-180) | Distribution Curve Light Level 50 |
|-------------|-----------------|------------------|----------------|---------------------------|----------------------------|------------------------------|-----------------------------------|
| 500 | 500 | 5.0 | 99 | RM2D-ACL-1L35K-4-MB-L500 | 100 / 0 | 3156 / 0 | |
| 750 | 750 | 7.6 | 99 | RM2D-ACL-1L35K-4-MB-L750 | | 3227 / 0 | |
| 1000 | 1000 | 10.1 | 99 | RM2D-ACL-1L35K-4-MB-L1000 | | 3086 / 0 | |

Metalumen's light level performance metrics are subject to manufacturers component tolerances. Photometric performance is measured and scaled in accordance with IESNA LM-79.

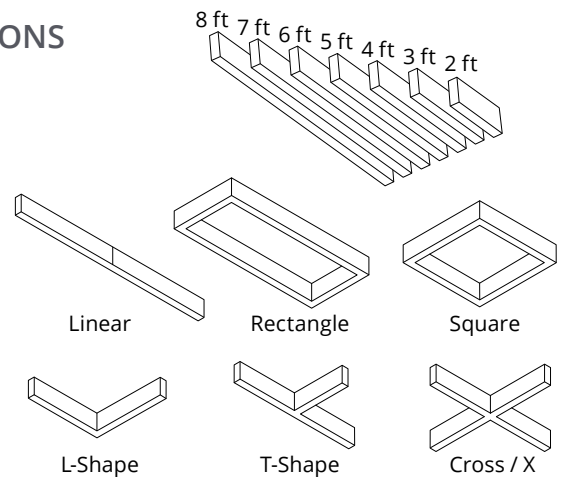
| Color Temp | 80 CRI | 90 CRI |
|------------|--------|--------|
| 3000K | 0.984 | 0.880 |
| 3500K | 1.000 | 0.875 |
| 4000K | 1.032 | 0.879 |

CROSS SECTIONS



LENGTHS & CONFIGURATIONS

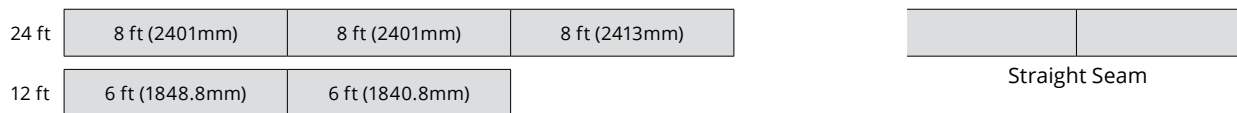
- 2 ft - 642 [25.25]
- 3 ft - 946 [37.25]
- 4 ft - 1251 [49.25]
- 5 ft - 1556 [61.25]
- 6 ft - 1861 [73.25]
- 7 ft - 2166 [85.25]
- 8 ft - 2413 [95.00]



NOMINAL LENGTHS

Nominal lengths are shown in the Order Logic. Actual lengths will vary. Custom lengths are available for exact fit.

Example Run Lengths



SPECIFICATIONS

Due to the Continuous Improvement Policy at Metalumen, we reserve the right to change our specifications without notice.

Housing: Rigid extruded aluminum body, 2.0mm (0.08") nominal wall thickness. Aluminum end caps.
Optical System: Metalumen luminaires are designed to utilize leading edge LED technology combined with luminaire optimized reflectors and our custom diffusers, resulting in industry leading optical performance.
CRI: 83+ for 3500K, 80 minimum for all

CCTs in standard configurations.
Lumen Maintenance: Minimum 50,000h with TM-21 lumen maintenance of 85% @ 25°C ambient temperature (calculated based on IESNA LM-80-08 LED test data). L70: ≥60,000hrs.
Paint Finish: White standard finish. For custom finish, contact factory.
Weight: 0.95 kg/300mm [2.1 lb/ft]
Mounting: Aircraft cable complete

with a Quick-Grip field adjustable suspension system. Threaded rod for t-bar and unistrut metal framing system.
Electrical: Factory prewired with easy wire quick connect sections.
Drivers: Metalumen offers 0-10V dimming* as a standard on our entire LED product offering. Dimming range is 1%-100%. Power factor is > 90%. Class 2 rating. Drivers are integral.

Approvals: All components are UL/ CSA/QPS recognized or listed. RoHS compliant. This product is cULus listed.
Environment: Suitable for dry or damp locations.

**Standard drivers compatible with passive/ sinking dimmers. Please contact Metalumen if active/sourcing dimmer support is required.*

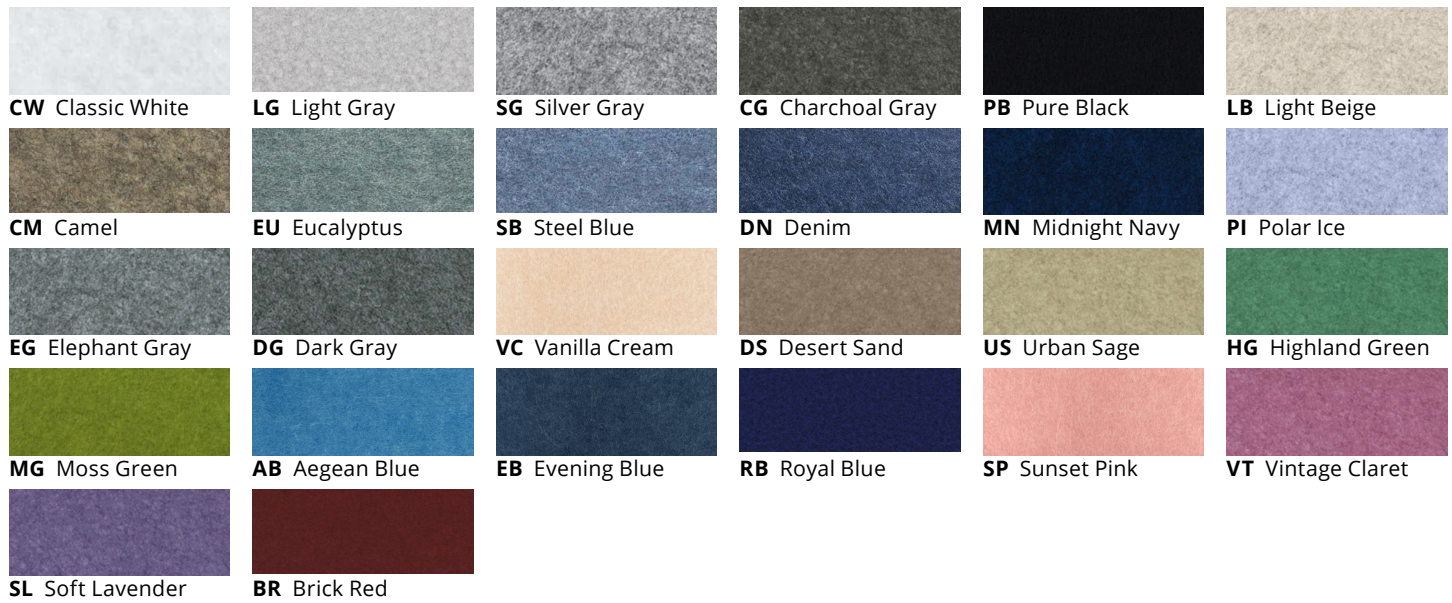
WARRANTY

Metalumen will warrant defective luminaires for 5 years from date of purchase. Warranty is valid if luminaire is installed and used according to specification. If defective, Metalumen will send replacement boards or drivers at no cost along with detailed replacement instructions and instructions on how to return defective components to Metalumen.

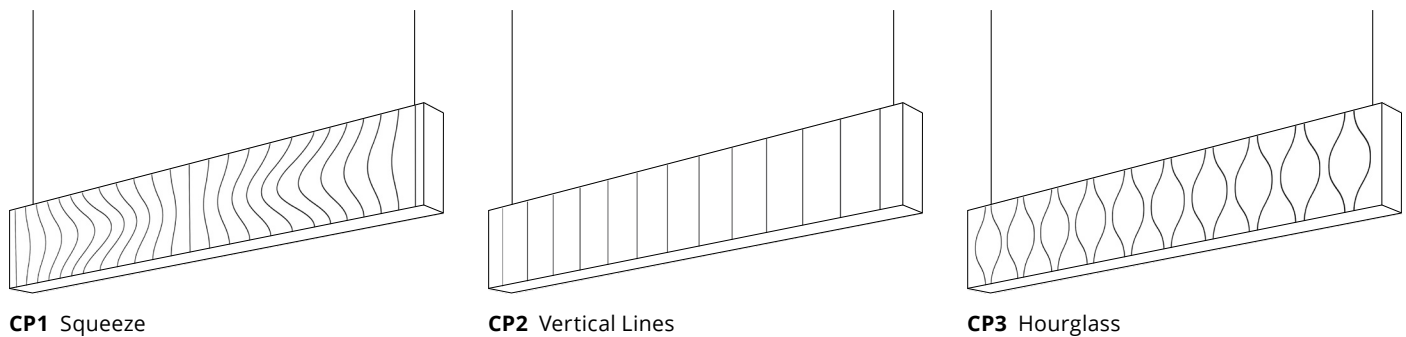
ACOUSTIC BAFFLE OPTIONS



STANDARD COLORS 3/8" (9mm)



CARVE PATTERNS - Not available for Wood Grain Prints



WOOD GRAIN PRINTS

Wood Grain Prints come with a choice of a white or black flange that is selected in the Order Logic on page 1.



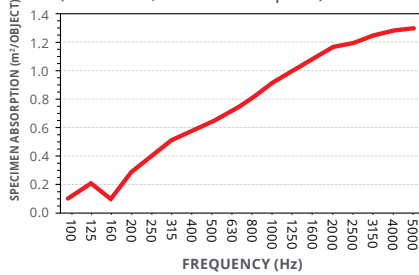
FLANGE COLOUR OPTIONS



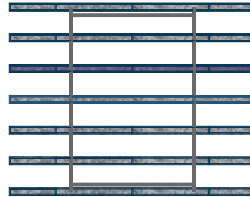


ACOUSTIC PERFORMANCE

Sound Absorption Report
9mm (3/8 inch)
(6 baffles, 12 inches apart)



NRC: **1.10**
SABINS:
Per Lineal Foot: **1.33**
Per Lineal Meter: **4.35**



ACOUSTIC MATERIAL SPECIFICATIONS

Composition: 100% PET (min. 50% recycled content)

Thickness: 3/8" (9mm) | ±0.5mm

Weight: 3/8" (9mm) sheet: 8.4lbs (3.8kg) | ±5%

Hardness: 60-65 (Shore C)

Fire Testing:

North America: ASTM E-84 Class A*; CAN ULC S102-10

Europe and UK: EN13501-1: 2007

Acoustics: Refer to ASTM C423-17 test charts for specific absorption coefficients. NRC 0.75 (subject to mounting conditions)

Product Variances: Variation in fiber mix and colour may occur. All products will be supplied within commercial tolerances.

General: Tackable, impact resistant, bacteria resistant, moisture resistant, installation friendly.

Environment: Made of polyester fiber, min. 50% of which comes from recycled water bottles which contributes to LEED MR Credit and BREEAM Health and Wellbeing, Materials points due to recycled content, acoustic performance, and low emitting materials.

No VOC's: CDPH v1.2 and REACH SVHC Compliant.

COMMITMENT TO THE ENVIRONMENT

There are approximately 50 billion water bottles consumed around the world each year, and only about half of those get recycled. The rest end up in landfills, littered through our neighborhoods, or floating in our oceans.

Bottled water consumption has more than doubled since 2000; in 2015 there was the equivalent of more than 5

bottles of water consumed for every person in the USA every single week. This, of course, means that the amount of oil required to produce the energy used for the water bottling process continues to grow.

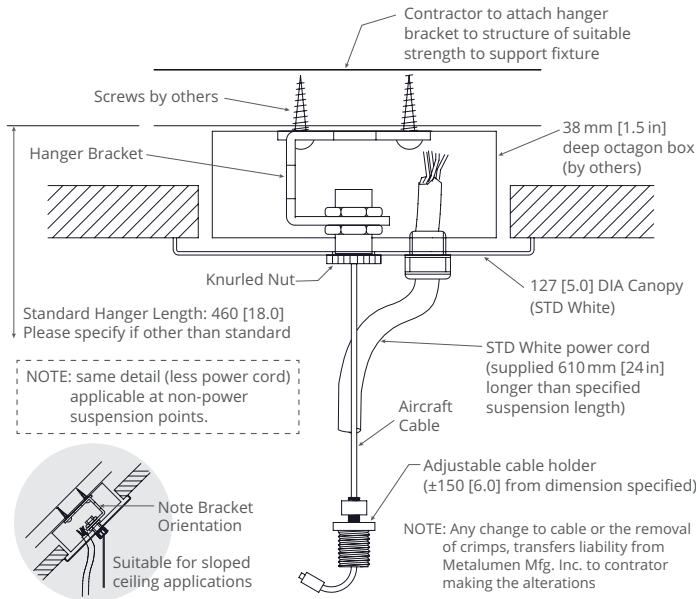
In 2007, the last year global statistics of oil consumption were available, between 32 million and 54 million barrels of oil were used to produce the

bottled water that was consumed in the USA alone. This energy is used to make the bottles from PET pellets (1 million tons in the USA), treat water, bottle the water, label the bottles, and transport the bottled water. Most of the energy consumption occurs in the creation of the bottles themselves. To help in the lifecycle of this plastic product, we have chosen to manufacture our material so that

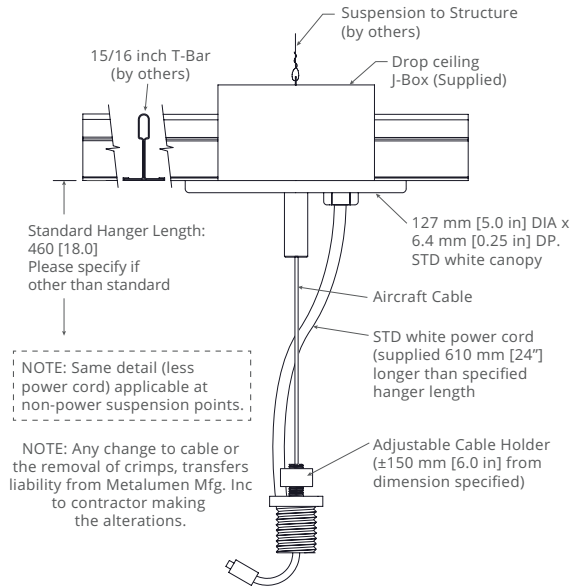
it recycles these PET bottles. We are doing our part to reduce the waste. This acoustical and tackable material is made from PET bottles in a zero-waste process with postindustrial recycling. An environmentally friendly, sustainable, and waste reduced alternative to traditional acoustical/ tackable material that looks great in any office, education, or open space installation.

HANGER

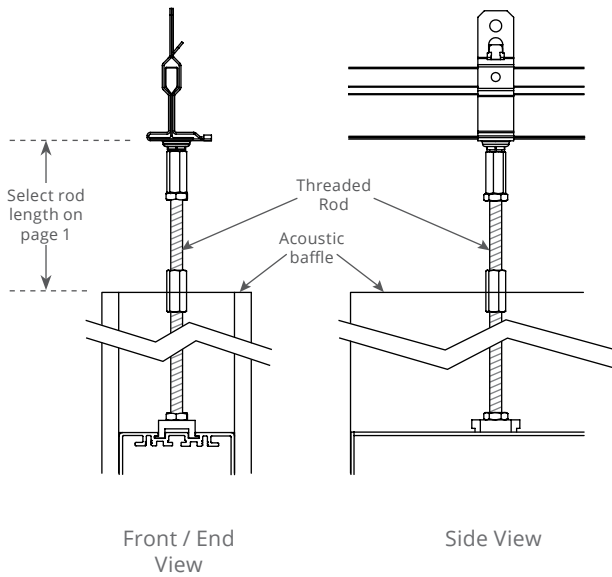
Aircraft Cable & Cord



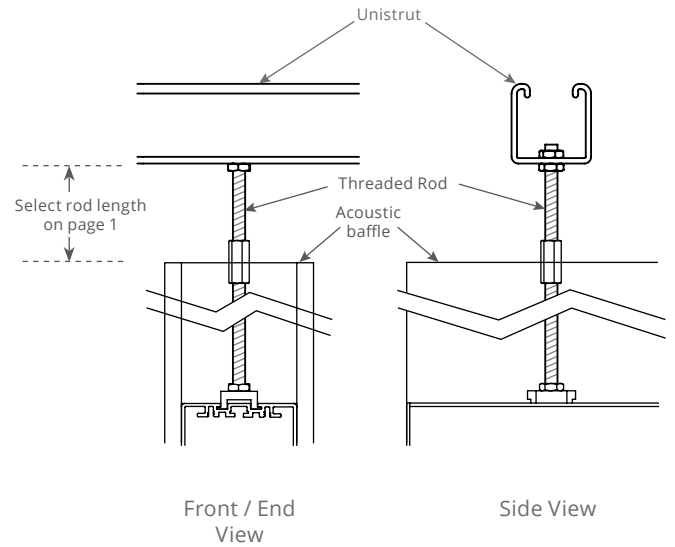
T-Bar Aircraft Cable & Cord



Threaded Rod for T-Bar



Threaded Rod for Unistrut



WIRING

| Standard | Up/Down Switching | Emergency / Night Light | Emergency Battery Pack |
|---|---|--|---|
| <ul style="list-style-type: none"> BLACK - LINE WHITE - NEUTRAL GREEN - GROUND RED - CAPPED/SW LEAD VIOLET - DIM(+) PINK - DIM(-) | <ul style="list-style-type: none"> BLACK - LINE (UP) WHITE - NEUTRAL GREEN - GROUND RED - LINE (DOWN) VIOLET - DIM(+) PINK - DIM(-) | <ul style="list-style-type: none"> BLACK - LINE WHITE - NEUTRAL GREEN - GROUND RED - CAP OFF | <ul style="list-style-type: none"> BLACK - LINE WHITE - NEUTRAL GREEN - GROUND RED - UNSWITCHED HOT |