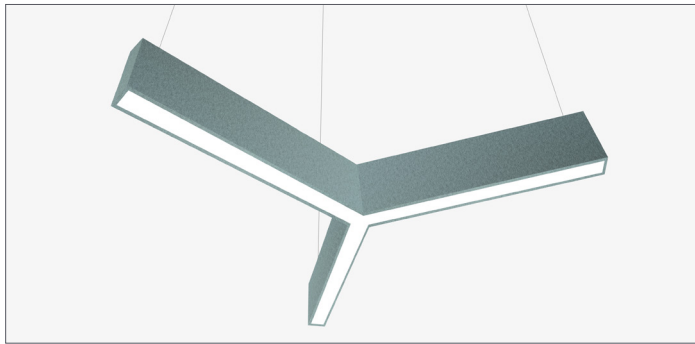


RAIL 2 ACOUSTIC Y-SHAPE

RAIL2-ACL . LED . PENDANT . DIRECT



- Optimal lighting with acoustic baffle technology by **EZO** BOARD
- Baffle height options of 8", 12" or 16"
- Baffle material is resistant to bacteria and moisture
- Seamless Y-shaped illumination with no visual breaks



PART #:		DATE:	
PREP BY:	PROJECT:		QTY:
NOTES:			DATE (DD/MM/YYYY):
APPROVAL SIGNATURE:		DATE (DD/MM/YYYY):	

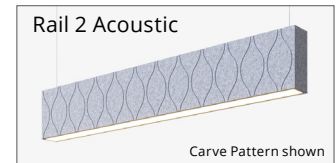
PERFORMANCE SUMMARY

3500K, Meta Blanc Optics

Lumens per foot	750
Wattage per foot	7.6
Efficacy (lm/W)	99
L70 Estimate (h)	≥ 60,000 hrs
NRC	1.10
Sabins	Per Lineal Foot: 1.33 / Per Lineal Meter: 4.35

See page 2 for complete performance data.

MORE ACOUSTIC PRODUCTS



ORDERING LOGIC

Example Part Number: RAIL2-ACL-35K-8-Y2-MB-08WAP-500EM-TRT18-1

RAIL2	ACL			Y 2	MB								
1. SERIES	2. MODEL	3. COLOR TEMP	4. LENGTH	5. PATTERN	6. OPTICS	7. ACOUSTIC BAFFLE	8. LIGHT LEVEL / DRIVER	9. CIRCUITRY	10. MOUNTING	11. VOLTAGE	12. SENSORS	13. CONTROLS	14. OPTIONS
RAIL2	ACL Acoustic Lit	30K 3000K 35K 3500K 40K 4000K	— None (Leave empty)	Y2 Y-Shape, 2 ft sections Consult factory for other section lengths	MB Meta Blanc Opal diffuse lens	Code example: 08 WAP HEIGHT ↑ ↑ BAFFLE HEIGHT 08 = 8 inches 12 = 12 inches 16 = 16 inches BAFFLE See page 3 for full list of Standard Color or Wood Grain Print options & codes	Select Driver below. See Light Level Performance chart on p2.	1 1 Circuit EM Emergency / Night Light B Emergency Battery Pack ¹	PAX Pendant Aircraft Cable PTX Pendant Aircraft Cable for T-bar PSX Pendant Aircraft Cable Surface S Surface (Ceiling) TRTX Threaded Rod for T-bar TRUX Threaded Rod for Unistrut Replace "X" with length (inches) selected below. Select Hanger Length and indicate Canopy and Power Cord Finish below	3 347 V (Consult factory) 4 UNV (120 - 277V)	Tap to view Sensors and Controls Reference Guide	90 90 CRI (High R9) — None (leave space empty)	

¹Battery operates 4ft sections only.

- Select Driver: Factory option 0-10V, 1% Dimming
 LHE Lutron H-Series Hi-lume 1% EcoSystem LED Driver
 LSE Lutron 5-Series EcoSystem LED Driver

Select Hanger Length

Total aircraft adjustment range is 6" up & down for each standard length. See detailed hanger diagrams on page 4. All other lengths are considered custom unless otherwise stated.

NOTE: If no selection is made, a 48" hanger will be supplied.

Select:	Imperial (in)	Metric (mm)	Select:	Imperial (in)	Metric (mm)	Select:	Imperial (in)	Metric (mm)
<input type="checkbox"/>	12	305	<input type="checkbox"/>	42	1067	<input type="checkbox"/>	96	2440
<input type="checkbox"/>	18	460	<input type="checkbox"/>	48	1220	<input type="checkbox"/>	120	3050
<input type="checkbox"/>	24	610	<input type="checkbox"/>	54	1372	<input type="checkbox"/>	144	3660
<input type="checkbox"/>	30	760	<input type="checkbox"/>	60	1525	<input type="checkbox"/>	Custom Length: _____	
<input type="checkbox"/>	36	915	<input type="checkbox"/>	72	1830			

Canopy and Power Cord Finish

White canopy & cord is standard

Canopy	Cord
<input type="checkbox"/> Custom RAL: _____	<input type="checkbox"/> Custom RAL: _____

LIGHT LEVEL PERFORMANCE & PHOTOMETRIC DATA
 3000K, 85 CRI, 0-10V Dimming (Standard)

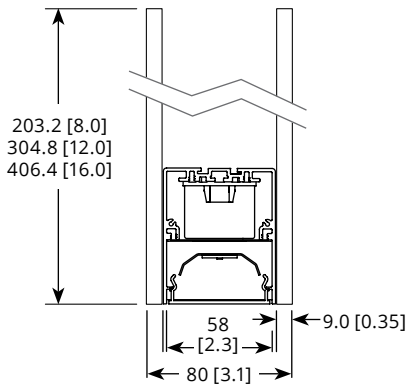
Lumen Adjustment Factor (Standard)

Light Level	Lumens per foot	Wattage per foot	Efficacy LPW	IES File	Distribution % (Down / Up)	Distribution Curve Light Level 50
500	500	5.0	99	RAIL2-ACL-35K-2-MB-500-Y	100 / 0	
750	750	7.6	99	RAIL2-ACL-35K-2-MB-750-Y		
1000	1000	10.1	99	RAIL2-ACL-35K-2-MB-1000-Y		

Metalumen's light level performance metrics are subject to manufacturers component tolerances. Photometric performance is measured and scaled in accordance with IESNA LM-79.

Color Temp	80 CRI	90 CRI
3000K	0.984	0.880
3500K	1.000	0.875
4000K	1.032	0.879

CROSS SECTION



SPECIFICATIONS

Due to the Continuous Improvement Policy at Metalumen, we reserve the right to change our specifications without notice.

Housing: Rigid extruded aluminum body, 2.0mm (0.08") nominal wall thickness. Aluminum end caps.

Optical System: Metalumen luminaires are designed to utilize leading edge LED technology combined with luminaire optimized reflectors and our custom diffusers, resulting in industry leading optical performance.

CRI: 83+ for 3500K, 80 minimum for all CCTs in standard configurations.

Lumen Maintenance: Minimum 50,000h with TM-21 lumen maintenance of 85% @ 25°C ambient temperature (calculated based on IESNA LM-80-08 LED test data). L70: ≥60,000hrs.

Paint Finish: White standard finish. For custom finish, contact factory.

Weight: 0.95 kg/300mm [2.1 lb/ft]

Mounting: Aircraft cable complete with a Quick-Grip field adjustable suspension system. Threaded rod for t-bar and unistrut metal framing system.

Electrical: Factory prewired with easy wire quick connect sections.

Drivers: Metalumen offers 0-10V dimming* as a standard on our entire LED product offering. Dimming range is 1%-100%. Power factor is > 90%. Class 2 rating. Drivers are integral.

Approvals: All components are UL/CSA/QPS recognized or listed. RoHS compliant. This product is cULus listed.

Environment: Suitable for dry or damp locations.

*Standard drivers compatible with passive/sinking dimmers. Please contact Metalumen if active/sourcing dimmer support is required.

WARRANTY

Metalumen will warrant defective luminaires for 5 years from date of purchase. Warranty is valid if luminaire is installed and used according to specification. If defective, Metalumen will send replacement boards or drivers at no cost along with detailed replacement instructions and instructions on how to return defective components to Metalumen.

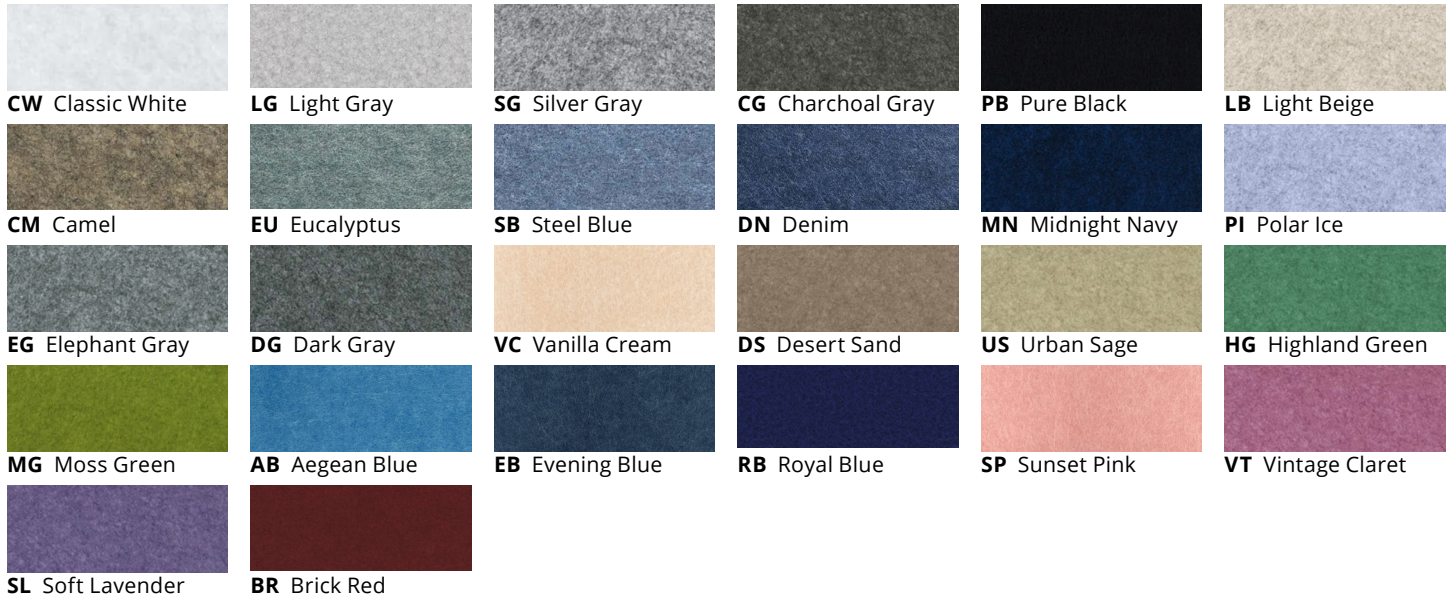
WIRING

Standard	Up/Down Switching	Emergency / Night Light	Emergency Battery Pack

ACOUSTIC BAFFLE OPTIONS



STANDARD COLORS 3/8" (9mm)

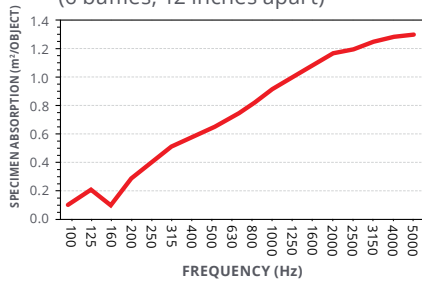


WOOD GRAIN PRINTS

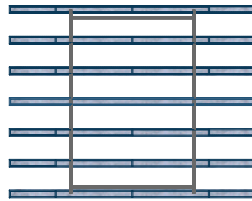


ACOUSTIC PERFORMANCE

Sound Absorption Report
9mm (3/8 inch)
(6 baffles, 12 inches apart)



NRC: **1.10**
SABINS:
Per Lineal Foot: **1.33**
Per Lineal Meter: **4.35**



ACOUSTIC MATERIAL SPECIFICATIONS

Composition: 100% PET (min. 50% recycled content)

Thickness: 3/8" (9mm) | ±0.5mm

Weight: 3/8" (9mm) sheet: 8.4lbs (3.8kg) | ±5%

Hardness: 60-65 (Shore C)

Fire Testing:

- North America:
 - ASTM E-84 Class A*
 - CAN ULC S102-10
- Europe and UK:
 - EN13501-1: 2007

Acoustics: Refer to ASTM C423-17 test charts for specific absorption coefficients. NRC 0.75 (subject to mounting conditions)

Product Variances: Variation in fiber mix and colour may occur. All products will be supplied within commercial tolerances.

General: Tackable, impact resistant, bacteria resistant, moisture resistant, installation friendly.

Environment: Made of polyester fiber, min. 50% of which comes from recycled water bottles which contributes to LEED MR Credit and BREEAM Health and Wellbeing, Materials points due to recycled content, acoustic performance, and low emitting materials. No VOC's: CDPH v1.2 and REACH SVHC Compliant.

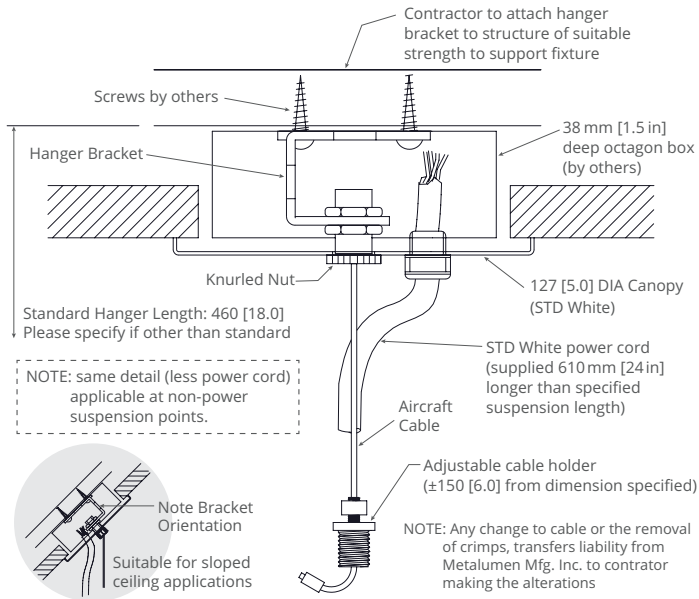
COMMITMENT TO THE ENVIRONMENT

Around 50 billion plastic water bottles are used each year, and only about half are recycled—leaving millions of tons of waste in landfills, communities, and oceans. As bottled water consumption continues to rise, so does the energy and oil required to produce PET bottles.

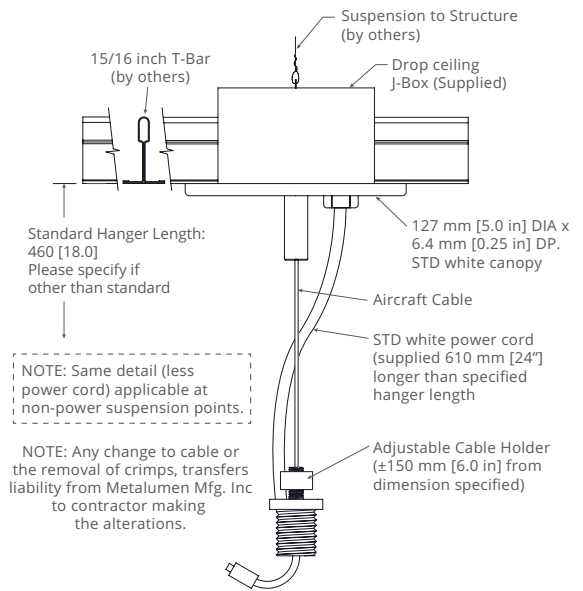
To help reduce this impact, our material is made from recycled PET bottles in a zero-waste, post-industrial process. It offers a sustainable, environmentally friendly alternative to traditional acoustical and tackable materials, ideal for offices, education spaces, and open-concept environments.

HANGER

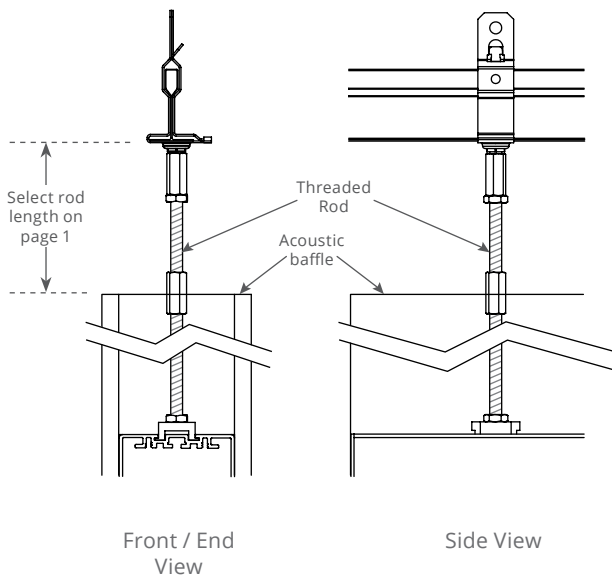
Aircraft Cable & Cord



T-Bar Aircraft Cable & Cord



Threaded Rod for T-Bar



Threaded Rod for Unistrut

