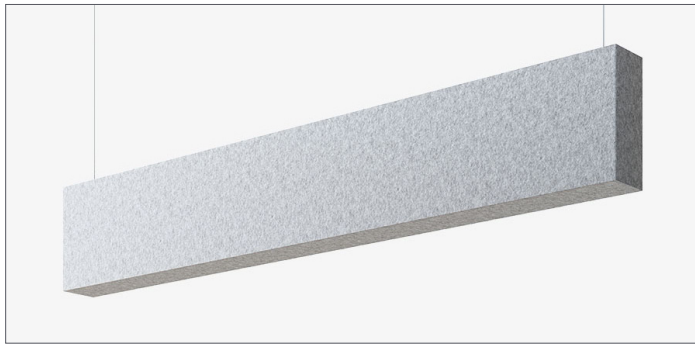


RAIL 2 ACOUSTIC (UNLIT)

RAIL2-ACU . LED . PENDANT . DIRECT



- Sound absorbing baffle technology by **EZO** BOARD
- Height options of 8", 12" or 16"
- Material is resistant to bacteria and moisture.
- Many baffle colours and wood grain print options



PART #:	
PREP BY:	DATE:
PROJECT:	QTY:
NOTES:	
APPROVAL SIGNATURE:	DATE (DD/MM/YYYY):

PERFORMANCE SUMMARY

NRC	1.10
Sabins	Per Lineal Foot: 1.33 / Per Lineal Metre: 4.35

See page 2 for complete performance data.

MORE ACOUSTIC PRODUCTS



ORDERING LOGIC

RAIL2	ACU				
1	2	3	4	5	6

Example Part Number: RAIL2-ACU-4-08CG-PA18

1. SERIES	2. MODEL	3. LENGTH	4. PATTERN	5. ACOUSTIC BAFFLE	6. MOUNTING								
RAIL2	ACU Acoustic Unlit	2 2 ft 3 3 ft 4 4 ft 5 5 ft 6 6 ft 7 7 ft 8 8 ft RA Continuous Rows C Custom Length/Configurations (Consult factory) _ None (leave space empty)	Consult factory	Code example: 08 SG ↑ ↑ Height Color / Wood Print 8 Inches Silver Gray <table border="1"> <tr> <th>Height</th> <th>Color / Wood Print</th> </tr> <tr> <td>08 8 Inches</td> <td>See page 3 for options & codes</td> </tr> <tr> <td>12 12 Inches</td> <td></td> </tr> <tr> <td>16 16 Inches</td> <td></td> </tr> </table>	Height	Color / Wood Print	08 8 Inches	See page 3 for options & codes	12 12 Inches		16 16 Inches		PAX Pendant Aircraft Cable PTX Pendant Aircraft Cable for T-bar Replace "X" with length (inches) selected below. Select Hanger Length below
Height	Color / Wood Print												
08 8 Inches	See page 3 for options & codes												
12 12 Inches													
16 16 Inches													

Select Hanger Length:

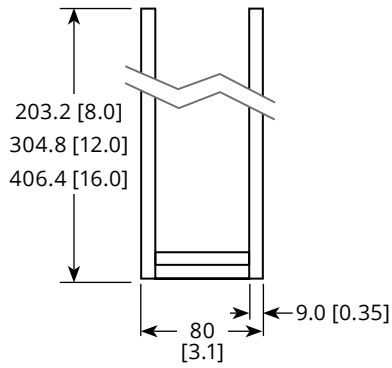
Total aircraft adjustment range is 6" up & down for each standard length. See detailed hanger diagrams on page 5. All other lengths are considered custom unless otherwise stated.

NOTE: If no selection is made, a 48" length will be supplied.

Select:	Imperial (in)	Metric (mm)
<input type="checkbox"/>	12	305
<input type="checkbox"/>	18	460
<input type="checkbox"/>	24	610
<input type="checkbox"/>	30	760
<input type="checkbox"/>	36	915
<input type="checkbox"/>	42	1067
<input type="checkbox"/>	48	1220

Select:	Imperial (in)	Metric (mm)
<input type="checkbox"/>	54	1372
<input type="checkbox"/>	60	1525
<input type="checkbox"/>	72	1830
<input type="checkbox"/>	96	2440
<input type="checkbox"/>	120	3050
<input type="checkbox"/>	144	3660
<input type="checkbox"/>	Custom Length:	_____

CROSS SECTIONS

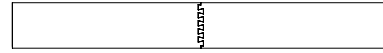


SPECIFICATIONS

Due to the Continuous Improvement Policy at Metalumen, we reserve the right to change our specifications without notice.

Mounting: Aircraft cable complete with a Quick-Grip field adjustable suspension system. Threaded rod for t-bar and unistrut metal framing system.

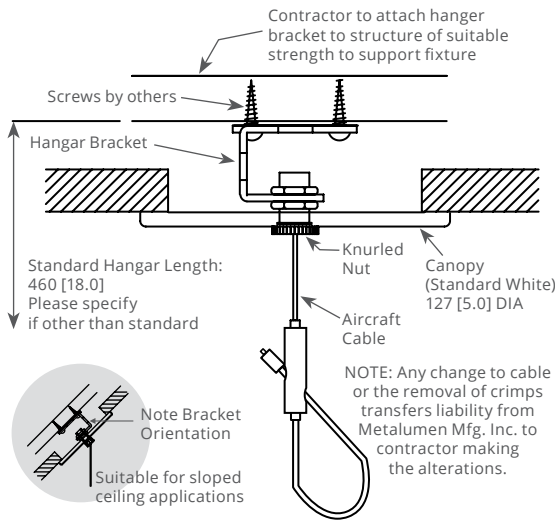
SEAM PATTERNS



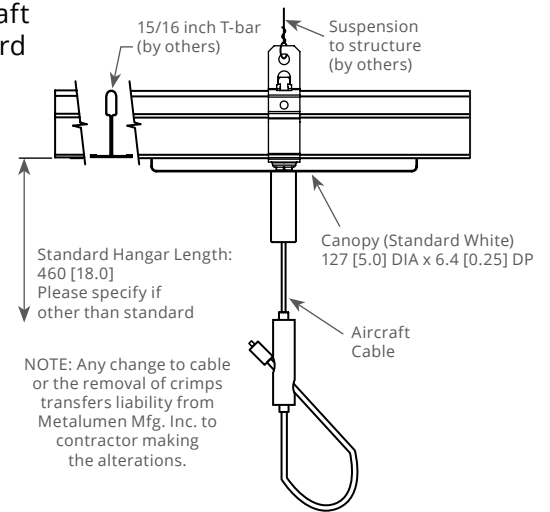
Dovetail Seam

HANGER

Aircraft Cable & Cord



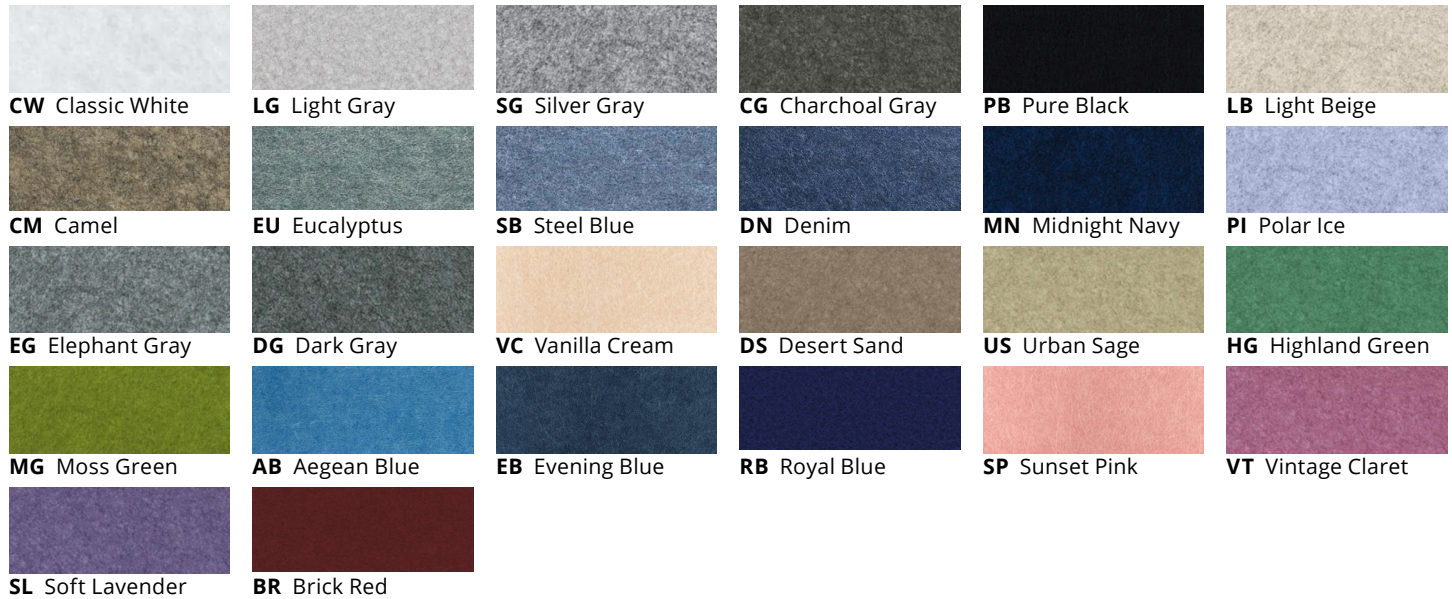
T-Bar Aircraft Cable & Cord





ACOUSTIC BAFFLE OPTIONS

STANDARD COLORS 3/8" (9mm)



WOOD GRAIN PRINTS



BAFFLE SPECIFICATIONS

<p>Composition: 100% PET (min. 50% recycled content) Thickness: 3/8" (9mm) ±0.5mm Weight: 3/8" (9mm) sheet: 8.4lbs (3.8kg) ±5% Hardness: 60-65 (Shore C) Fire Testing: • North America:</p>	<p>- ASTM E-84 Class A*- CAN ULC S102-10 • Europe and UK: - EN13501-1: 2007 Acoustics: Refer to ASTM C423-17 test charts for specific absorption coefficients. NRC 0.75 (subject to mounting conditions) Product Variances: Variation in fiber</p>	<p>mix and colour may occur. All products will be supplied within commercial tolerances. General: Tackable, impact resistant, bacteria resistant, moisture resistant, installation friendly. Environment: Made of polyester fiber, min. 50% of which comes from recycled</p>	<p>water bottles which contributes to LEED MR Credit and BREEAM Health and Wellbeing, Materials points due to recycled content, acoustic performance, and low emitting materials. No VOC's: CDPH v1.2 and REACH SVHC Compliant.</p>
---	--	--	--

EZOBORD COMMITMENT TO THE ENVIRONMENT

<p>There are approximately 50 billion water bottles consumed around the world each year, and only about half of those get recycled. The rest end up in landfills, littered through our neighborhoods, or floating in our oceans.</p> <p>Bottled water consumption has more than doubled since 2000; in 2015 there was the equivalent of more than 5</p>	<p>bottles of water consumed for every person in the USA every single week. This, of course, means that the amount of oil required to produce the energy used for the water bottling process continues to grow.</p> <p>In 2007, the last year global statistics of oil consumption were available, between 32 million and 54 million barrels of oil were used to produce the</p>	<p>bottled water that was consumed in the USA alone. This energy is used to make the bottles from PET pellets (1 million tons in the USA), treat water, bottle the water, label the bottles, and transport the bottled water. Most of the energy consumption occurs in the creation of the bottles themselves. To help in the lifecycle of this plastic product, we have chosen to manufacture our material so that</p>	<p>it recycles these PET bottles. We are doing our part to reduce the waste. This acoustical and tackable material is made from PET bottles in a zero-waste process with postindustrial recycling. An environmentally friendly, sustainable, and waste reduced alternative to traditional acoustical/tackable material that looks great in any office, education, or open space installation.</p>
---	--	---	---