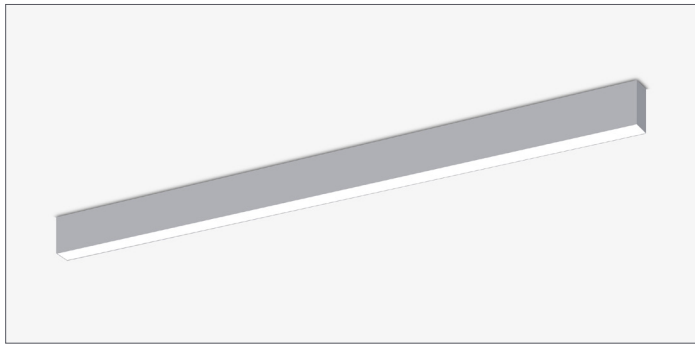


# RAIL 1.5 WET S1WD

SURFACE . DIRECT



- Narrow **1.5 inch** wide profile
- Continuous direct optics with no breaks
- Constructed of **corrosion resistant** components
- Standard **natatorium powder coat finish** exceeds 4000 salt spray hours
- Premium colour rendering with standard **90CRI**

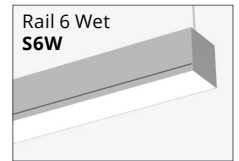
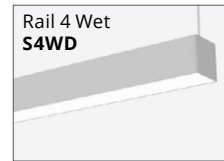
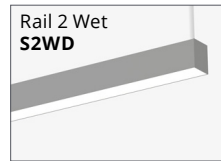


PART #:		DATE:	
PREP BY:	PROJECT:		QTY:
NOTES:			DATE (DD/MM/YYYY):
APPROVAL SIGNATURE:			

PERFORMANCE SUMMARY @ 3500K, 90 CRI	Meta Blanc (MB)
Light Level	<b>75</b>
Lumens per foot	779
Wattage per foot	12.2
Efficacy (LPW)	64
L70 Estimate (h)	≥ 60,000 hrs

See page 2 for the complete Light Level Performance chart.

## OTHER RAIL WET SERIES PRODUCTS



## ORDERING LOGIC

Example Part Number: S1WD-35K-12-MB-W-451-S-4

<b>S1WD</b>				<b>MB</b>				<b>S</b>				
1	2	3	4	5	6	7	8	9	10	11	12	

1. SERIES	2. COLOR TEMP	3. LENGTH	4. PATTERN <sup>1</sup>	5. OPTICS	6. NATATORIUM FINISH
<b>S1WD</b> Direct	<b>30K</b> 3000K <b>35K</b> 3500K <b>40K</b> 4000K	<b>2</b> 2 ft   <b>8</b> 8 ft <b>3</b> 3 ft   <b>9</b> 9 ft <b>4</b> 4 ft   <b>10</b> 10 ft <b>5</b> 5 ft   <b>11</b> 11 ft <b>6</b> 6 ft   <b>12</b> 12 ft <b>7</b> 7 ft <b>RA</b> Continuous Rows* Replace "A" with length in feet <b>C</b> Custom Length* _ None (leave space empty)	<b>GAxB</b> Square <b>GAxB</b> Rectangle <b>UAxBxC</b> U-Shape <b>LAxB</b> L-Shape <b>C</b> Custom Pattern* _ None (leave space empty) <b>Standard Patterns Minimum Lengths</b>  Square: A = 4 ft min. Rectangle: A = 4 ft min., B = 4 ft min. U-Shape: A = 3 ft min., B = 4 ft min., C = 3 ft min. L-Shape: A = 3 ft min., B = 3 ft min. <b>Custom Patterns*</b> Lengths and a drawing of custom pattern are required on page 2  T-Shape   Cross/X   Wall-to-Ceiling <b>Select corner:</b> <input type="checkbox"/> Outside 90° <input type="checkbox"/> Inside 90°	<b>MB</b> Meta Blanc  <b>Meta Blanc:</b> Opal diffuse lens	<b>NSA</b> Satin Aluminum <b>NW</b> White <b>NB</b> Black <b>NC</b> Custom Finish Specify RAL:
7. LIGHT LEVEL / DRIVER	8. CIRCUITRY	9. MOUNTING	10. VOLTAGE	11. CONTROLS	12. OPTIONS
<b>27</b> 270 lm/f <b>35</b> 350 lm/f <b>50</b> 500 lm/f <b>75</b> 750 lm/f <b>C</b> Custom Range Specify lumens:  (Total lumens between 270-750 lm at 50 lm intervals)	<b>1</b> 1 Circuit  <b>EM</b> Emergency / Night Light  <b>B</b> Emergency Battery Pack (Limited to ambient temperatures down to 0°C)	<b>S</b> Surface (Ceiling)	<b>3</b> 347 V <b>4</b> UNV (120 - 277V)	_ None (leave space empty)	<b>SF</b> Side Feed  _ None (leave space empty)

\*Consult factory. | <sup>1</sup> Pattern record drawings showing mounting locations will be sent out upon order.

Select Driver:  **FD** Factory options 0-10V, 1% Dimming  
 **D2** DALI  
Consult factory for -40 drivers.

### LIGHT LEVEL PERFORMANCE & PHOTOMETRIC DATA

3500K, 90 CRI, 0-10V Dimming (Standard)

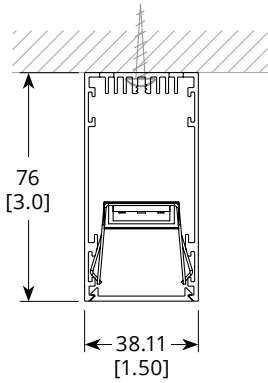
Light Level	Lumens per foot	Wattage per foot	Efficacy (LPW)	IES File	Distribution % (Down / Up)	Zonal Lumens (0-90 / 90-180)	Distribution Curve Light Level 45
27	288	3.8	77	S1WD-35K-4-MB-27-90CRI	100 / 0	1151 / 0	
35	356	4.8	75	S1WD-35K-4-MB-35-90CRI		1424 / 0	
50	511	6.8	72	S1WD-35K-4-MB-50-90CRI		2045 / 0	
75	779	12.2	64	S1WD-35K-4-MB-75-90CRI		3116 / 0	

Metalumen's light level performance metrics are subject to manufacturers component tolerances. Photometric performance is measured and scaled in accordance with IESNA LM-79.

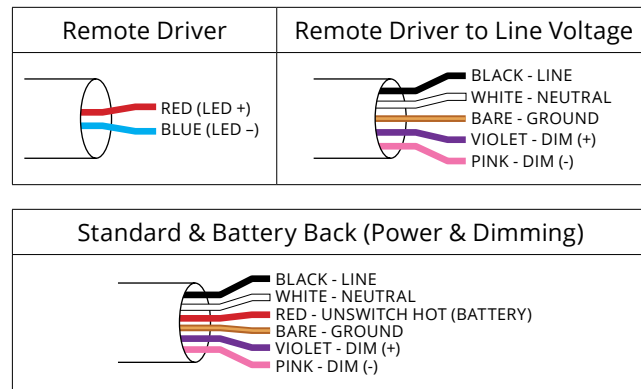
#### Lumen Adjustment Factor (Standard)

Color Temp	90 CRI
3000K	1.000
3500K	1.016
4000K	1.049

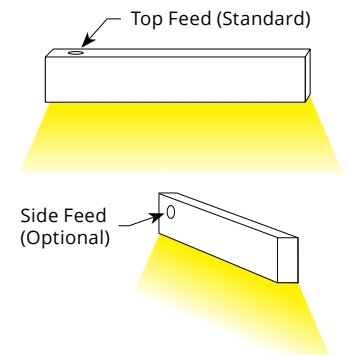
#### CROSS SECTIONS



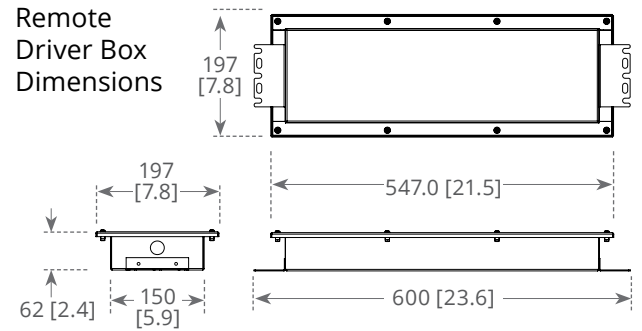
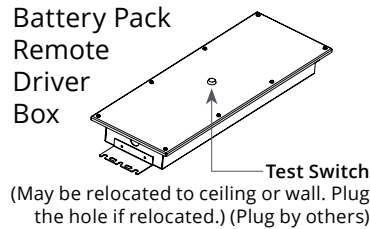
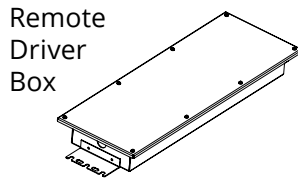
#### WIRING



#### POWER CABLE FEED LOCATION



#### REMOTE DRIVER BOXES



Remote Driver Box and Battery Pack Remote Driver Box share identical dimensions. Battery Pack Remote Driver Box includes a test switch which can be relocated to the ceiling or wall.

#### REMOTE DRIVER MOUNTING MAXIMUM WIRE LENGTH

Consult approval drawings for maximum remote mounting distances

Light Level	Driver Qty	Drive Current (mA)	Fixture Length	Distance in feet / Wire Gauge					
				22 Ga.	20 Ga.	18 Ga.	16 Ga.	14 Ga.	12 Ga.
27	1	390	4'	27	91	145	230	366	581
	1	780	8'	14	45	72	115	183	291
	1	1170	12'	9	30	48	77	122	194
35	1	500	4'	21	71	113	179	285	453
	1	1000	8'	11	35	56	90	143	227
	1	1500	12'	7	24	38	60	95	151
50	1	750	4'	14	47	75	120	190	302
	1	1500	8'	7	24	38	60	95	151
	1	2250	12'	5	16	25	40	63	101
75	1	1250	4'	8	28	45	72	114	181
	1	2500	8'	4	14	23	36	57	91
	3	1250	12'	8	28	45	72	114	181

## SPECIFICATIONS

Due to the Continuous Improvement Policy at Metalumen, we reserve the right to change our specifications without notice.

**Housing:** Rigid extruded aluminum body, 2.0mm (0.08") nominal wall thickness. Aluminum formed end caps.

**Optical System:** Metalumen luminaires are designed to utilize leading edge LED technology combined with luminaire optimized reflectors and our custom diffusers, resulting in industry leading optical performance.

**CRI:** 90 minimum

**Lumen Maintenance:** Minimum

50,000h with TM-21 lumen maintenance of 85% @ 25°C ambient temperature (calculated based on IESNA LM-80-08 LED test data).

L70: ≥60,000hrs.

**Finish:** Standard natatorium powder coated finish in satin aluminum, white and black. Exceeds 4000 salt spray hours (ASTM B117). For custom colors, contact factory.

**Weight:** 1.4 lb/ft or 0.6 kg/300mm.

**Mounting:** Surface ceiling mount. Hole

on extrusion for screws (by others).

**Electrical:** Factory prewired with easy wire quick connect sections.

**Drivers:** Metalumen offers 0-10V dimming\* as a standard on our entire LED product offering. Dimming range is 1%-100%. Power factor is > 90%. Class 2 rating. Drivers are remote. Consult factory for -40 drivers.

**Approvals:** All components are UL/ CSA/QPS recognized or listed. RoHS compliant. This product is cULus listed.

Electrical components are IP65 rated. **Environment:** Suitable for wet locations -22°F / -30°C start ambient temperature. Suitable for natatorium environments.

*\*Standard drivers compatible with passive/ sinking dimmers. Please contact Metalumen if active/sourcing dimmer support is required.*

## WARRANTY

Metalumen will warrant defective luminaires for 5 years from date of purchase. Warranty is valid if luminaire is installed and used according to specification. If defective, Metalumen will send replacement boards or drivers at no cost along with detailed replacement instructions and instructions on how to return defective components to Metalumen.